

UT screw connection terminal blocks

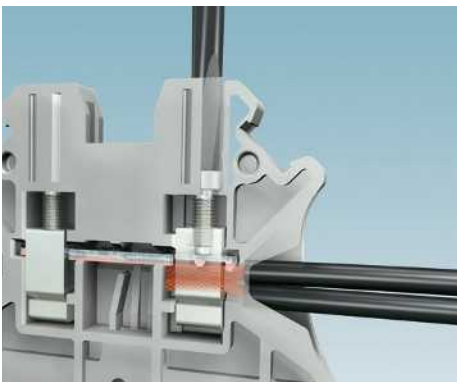
The UT screw connection terminal blocks from the CLIPLINE complete system meet the most stringent requirements and cover a wide area of application. They impress with their maintenance-free conductor connection and offer maximum flexibility with their multi-conductor connection. You can connect conductors with a nominal cross section either with or without ferules. It is not necessary to tighten the terminal block screws, since they are prevented from loosening by the Reakdyn principle, a screw locking technique developed by Phoenix Contact. Even the largest conductor cross sections of up to 240 mm² can be wired gas-tight and with long-term stability thanks to the high contact forces.

Product range overview

UT screw connection terminal blocks	24
Feed-through terminal blocks	26
High-current terminal blocks	30
High-current terminal block bases	34
Ground terminal blocks	38
Feed-through and PE terminal blocks with 3 connections	42
Feed-through and PE terminal blocks with 4 connections	44
Double-level terminal blocks	46
Three-level terminal blocks	50
Lever-type fuse and disconnect terminal blocks	52
Lever-type fuse and function terminal blocks with PE foot	54
Thermomagnetic circuit breakers	57
Disconnect terminal blocks for accommodating function plugs	58
Knife disconnect terminal blocks	60
Feed-through and component terminal blocks of the same shape	62
Double-level knife disconnect terminal blocks	66
Test disconnect terminal blocks	69
Plug-in test disconnect terminal blocks	70
Plug-in test disconnect terminal blocks with automatic short-circuit function	73
Test disconnect terminal blocks and slide-type terminal blocks	76
Double-level diode terminal blocks	78
Mini feed-through and ground terminal blocks	80
UTI screw connection installation terminal blocks	82
Installation terminal blocks	84
Ground terminal blocks	85
Installation neutral conductor disconnect terminal blocks	86
Three-level installation terminal blocks	90
L/N/PE connection terminal blocks	94
Neutral busbar, power/pick-off terminal blocks	96

Modular terminal blocks - CLIPLINE complete

UT screw connection terminal blocks



Universal and zero-maintenance

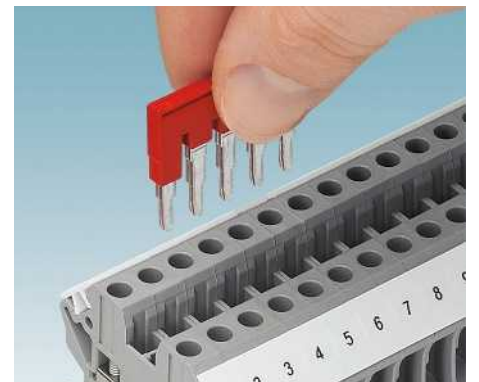
The screw connection is characterized by three main features.

- Global standard
- Multiple conductor connection
- Zero maintenance thanks to Reakdyn principle



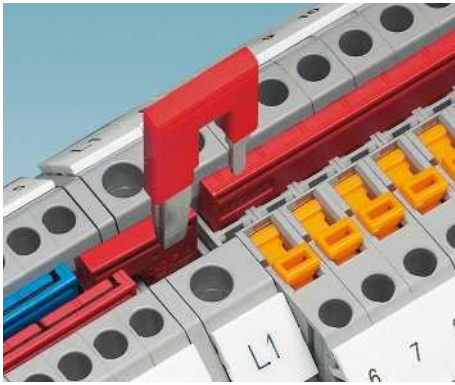
Snap-on PE foot

Ground terminal blocks of the same shape are simply snapped onto the DIN rail in order to make contact. This mechanically and electrically efficient contacting meets all the requirements of standard IEC 60947-7-2.

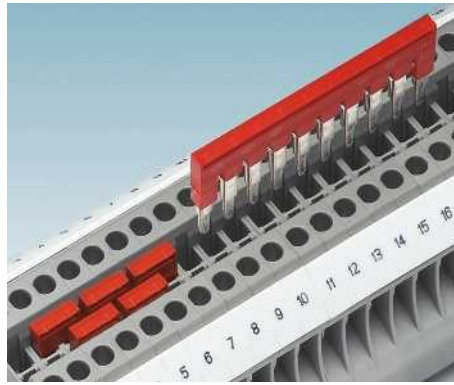


Flexible plug-in bridge system

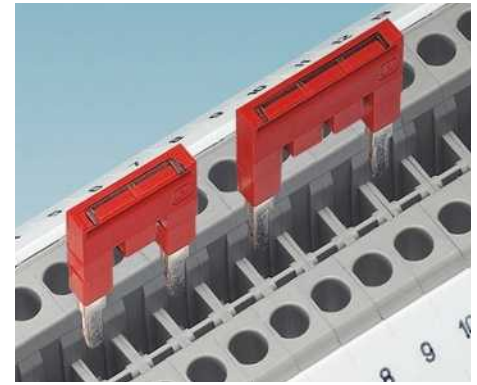
The potential distribution can be implemented at speed with the standardized plug-in bridges. Using two bridge shafts in all terminal blocks makes flexible chain, level or jumping bridges possible.



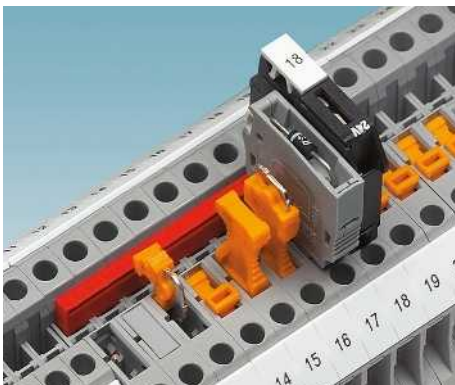
The reducing bridge enables terminal blocks with different nominal cross sections to be connected easily, e.g., a UT 10 terminal block to a UT 2,5. Power blocks can be created quickly using the reducing bridge.



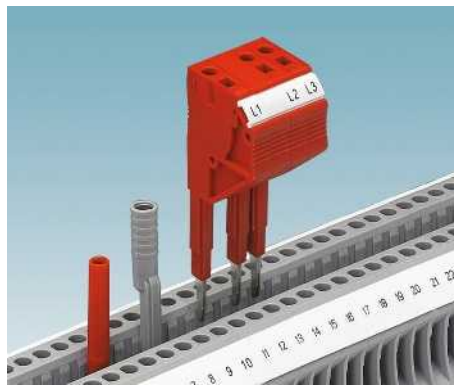
The double function shaft can be used to connect any number of terminal blocks with two-position bridges. The 2 to 50-pos. bridges allow up to 50 terminal blocks to be bridged in one step.



A jumping bridge is created by removing individual contact guides from the standard bridge. Two potentials can then be routed in parallel. The contact points can also be marked.



The P-FIX isolated feed-through connector, P-DI isolating plug, P-CO component plug, and P-FU cartridge fuse plug can be used in the universal plug-in zone of the disconnect terminal block.



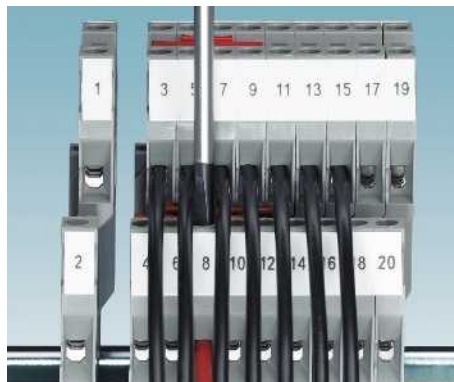
A test plug with a 2.3 mm diameter is available for measuring lines. All measurement and test work can be completed at speed using test adapters for 4 mm diameter test plugs and the modular test plugs.



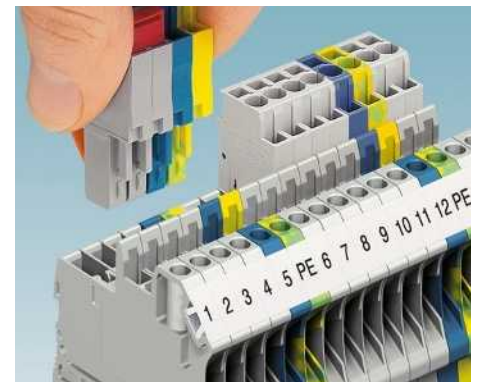
Large-surface and clear marking of the terminal points is essential for reliable and quick installation. Each terminal point in the UT series can be marked separately.



UT 4-MTD disconnect terminal blocks and feed-through terminal blocks are available in the same shape as the feed-through terminal blocks. All terminal blocks can be continuously bridged with one another with the double function shaft.



If fully wired, the level offset of the double-level terminal blocks allows the lower connection level to be accessed in full and provides a perfect view of the lower labeling markers and conductor entry funnel.



UT-COMBI terminal blocks are available for creating plug-in signal and power wiring. The system is touch proof and offers plugs for self-assembly with extensive accessories. See "COMBI" section, page 329.

UT screw connection terminal blocks

UT ... feed-through terminal blocks



The UT screw terminal block series is characterized by the system features of the CLIPLINE complete system and the following features:

- Space savings thanks to compact design
- Convenient wiring in a confined space
- The large connection space enables rigid and flexible conductors to be connected without a ferrule, even if greater than the nominal cross section
- The cable entry funnel enables conductors to be used with ferrules and plastic collars within the nominal cross section
- The multi-conductor connection offers maximum flexibility and wiring density
- Optimum guidance of screwdriver through closed screw shafts
- For corresponding **torque screwdrivers**, see Catalog 5

Terminal strip service

We produce fully pre-assembled terminal strips for fitting straight into the control cabinet or switch system. This simplifies installation, saves time, and cuts costs.



Notes:
1) For installation notes on the use of accessories for Ex e applications, see page 710.
2) The reducing bridge table should be followed, see page 476.



2.5 (4) mm², 32 A, feed-through terminal block



Ex: KEMA 04ATEX2048 U / IECEx KEM 06.0027U

Technical data

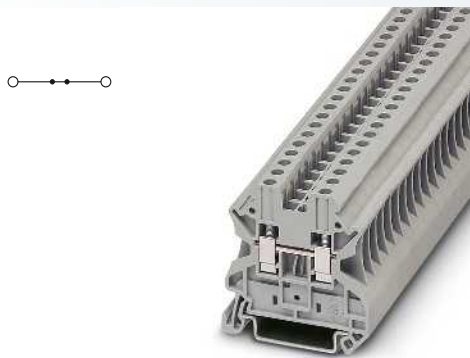
Dimensions	[mm]				
Width	5.2	Length	47.7	Height NS 35/7,5	47.5
Max. electrical data	I_{max} [A]	U_{max} [V]	max. Ø [mm²]	AWG	
	32	1000	0.14 - 4	26 - 12	
	IEC 60947-7-1				
Rated data	IEC	UL/CUL	CSA	IEC/EN 60079-7	
Rated voltage	[V]	1000	600	600	690
Nominal current / cross section	[A] / [mm ²]	24 / 2.5	20 / -	20 / -	22 / 2.5 // 28 / 4
Rated cross section	[mm ²]	2.5	-	-	2.5
Cross section range	AWG	26 - 12	26-12	26-12	26 - 12
Connection capacity		solid	stranded	Ferrule	
		Without / with plastic sleeve			
1 conductor	[mm ²]	0.14 - 4	0.14 - 4	0.14 - 2.5	0.14 - 2.5
Two conductors (of the same type)	[mm ²]	0.14 - 1.5	0.14 - 1.5	0.14 - 1.5	-
Two stranded conductors with a TWIN ferrule	[mm ²]				0.5 - 1.5
General data					
Stripping length	[mm]	9			
Screw thread		M3			
Tightening torque	[Nm]	0.5 - 0.6			
Insulating material		PA			
Inflammability class according to UL 94		V0			

Ordering data

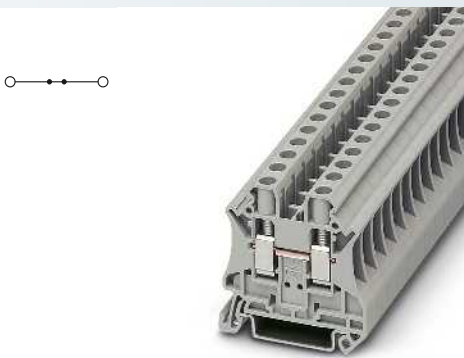
Description	No. of pos.	Color	Type	I _{max}	Order No.	Pcs. / Pkt.
Terminal block, for mounting on NS 35...		gray	UT 2,5		3044076	50
		blue	UT 2,5 BU		3044089	50
		orange	UT 2,5 OG		3045046	50
		red	UT 2,5 RD		3045062	50
		black	UT 2,5 BK		3045088	50

Accessories¹⁾

Pick-off terminal block, for snapping into the lateral guide		gray				
Cover, width 2.2 mm		gray				
Plug-in bridge						
	2	red	D-UT 2,5/10		3047028	50
	3	red	FBS 2-5	24 A	3030161	50
	4	red	FBS 3-5	24 A	3030174	50
	5	red	FBS 4-5	24 A	3030187	50
	10	red	FBS 5-5	24 A	3030190	50
	20	red	FBS 10-5	24 A	3030213	10
			FBS 20-5	24 A	3030226	10
Reducing bridge²⁾						
	2	red				
Reducing bridge²⁾						
	2	red				
Partition plate, 2 mm width		gray	ATP-UT		3047167	50
Test adapter, 4-mm test socket hole		gray	PAI-4-N GY		3032871	10
Test plug metal part, 2.3 mm Ø			MPS-MT		0201744	10
Insulating sleeve, for MPS metal part		red	MPS-IH RD		0201676	10
Modular test plug, for the individual assembly of test plug strips		red	PS-5		3030983	10
Warning label, for UT series		yellow	WS UT 2,5		3047923	10
Screwdriver			SF-SL 0,6X3,5-100 S-VDE		1212587	10
Lateral groove labeling			UC-TM 5, UCT-TM 5 or ZB 5 (see Catalog 5)			



4 (6) mm², 41 A, feed-through terminal block



6 (10) mm², 57 A, feed-through terminal block



10 (16) mm², 76 A, feed-through terminal block



Ex: KEMA 04ATEX2048 U / IECEx KEM 06.0027U



Ex: KEMA 04ATEX2048 U / IECEx KEM 06.0027U



Ex: KEMA 04ATEX2048 U / IECEx KEM 06.0027U

Technical data			
Width	Length	Height NS 35/7,5	
6.2	47.7	47.5	
I_{max} [A]	U_{max} [V]	max. \varnothing [mm ²]	AWG
41	1000	0.14 - 6	26 - 10
IEC 60947-7-1			
IEC	UL/CUL	CSA	IEC/EN 60079-7
1000	600	600	690
32 / 4	30 / -	30 / -	30 / 4 // 38 / 6
4	-	-	4
26 - 10	26-10	26-10	26 - 10
solid	stranded	Ferrule	
Without / with plastic sleeve			
0.14 - 6	0.14 - 6	0.14 - 4	0.14 - 4
0.14 - 1.5	0.14 - 1.5	0.14 - 1.5	-
			0.5 - 2.5
9			
M3			
0.6 - 0.8			
PA			
V0			

Technical data			
Width	Length	Height NS 35/7,5	
8.2	47.7	47.5	
I_{max} [A]	U_{max} [V]	max. \varnothing [mm ²]	AWG
57	1000	0.2 - 10	24 - 8
IEC 60947-7-1			
IEC	UL/CUL	CSA	IEC/EN 60079-7
1000	600	600	690
41 / 6	50 / -	50 / -	40 / 6 // 50 / 10
6	-	-	6
24 - 8	24-8	24-8	24 - 8
solid	stranded	Ferrule	
Without / with plastic sleeve			
0.2 - 10	0.2 - 10	0.25 - 6	0.25 - 6
0.2 - 2.5	0.2 - 2.5	0.25 - 1.5	-
			0.5 - 4
10			
M4			
1.5 - 1.8			
PA			
V0			

Technical data			
Width	Length	Height NS 35/7,5	
10.2	47.7	47.5	
I_{max} [A]	U_{max} [V]	max. \varnothing [mm ²]	AWG
76	1000	0.5 - 16	20 - 6
IEC 60947-7-1			
IEC	UL/CUL	CSA	IEC/EN 60079-7
1000	600	600	690
57 / 10	65 / -	65 / -	54 / 10 // 69 / 16
10	-	-	10
20 - 6	20-6	20-6	20 - 6
solid	stranded	Ferrule	
Without / with plastic sleeve			
0.5 - 16	0.5 - 16	0.5 - 10	0.5 - 10
0.5 - 4	0.5 - 4	0.5 - 2.5	-
			0.5 - 6
10			
M4			
1.5 - 1.8			
PA			
V0			

Ordering data			
Type	I_{max}	Order No.	Pcs. / Pkt.
UT 4		3044102	50
UT 4 BU		3044115	50
UT 4 OG		3045101	50
UT 4 RD		3045127	50
UT 4 BK		3045143	50

Ordering data			
Type	I_{max}	Order No.	Pcs. / Pkt.
UT 6		3044131	50
UT 6 BU		3044144	50
UT 6 OG		3045169	50
UT 6 RD		3045185	50
UT 6 BK		3045208	50

Ordering data			
Type	I_{max}	Order No.	Pcs. / Pkt.
UT 10		3044160	50
UT 10 BU		3044188	50
UT 10 OG		3046281	50
UT 10 RD		3046304	50
UT 10 BK		3046320	50

Accessories ¹⁾			
		Order No.	Pcs. / Pkt.
D-UT 2,5/10		3047028	50
FBS 2-6	32 A	3030336	50
FBS 3-6	32 A	3030242	50
FBS 4-6	32 A	3030255	50
FBS 5-6	32 A	3030349	50
FBS 10-6	32 A	3030271	10
FBS 20-6	32 A	3030365	10
ATP-UT		3047167	50
PAI-4-N GY		3032871	10
MPS-MT		0201744	10
MPS-IH RD		0201676	10
PS-6		3030996	10
WS UT 4		3047332	10
SF-SL 0,6X3,5-100 S-VDE		1212587	10

Accessories ¹⁾			
		Order No.	Pcs. / Pkt.
D-UT 2,5/10		3047028	50
FBS 2-8	41 A	3030284	10
FBS 3-8	41 A	3030297	10
FBS 4-8	41 A	3030307	10
FBS 5-8	41 A	3030310	10
FBS 10-8	41 A	3030323	10
RB UT 6-(2,5/4)		3047251	10
RB UT 6-ST(2,5/4)		3047264	10
ATP-UT		3047167	50
PAI-4-N GY		3032871	10
PS-8		3031005	10
WS UT 6		3047345	10
SZS 1,0X4,0 VDE		1205066	10

Accessories ¹⁾			
		Order No.	Pcs. / Pkt.
AGK 4-UT 10		3047112	50
D-UT 2,5/10		3047028	50
FBS 2-10	57 A	3005947	10
RB UT 10-(2,5/4)		3047060	10
RB UT 10-ST(2,5/4)		3047086	10
ATP-UT		3047167	50
WS UT 10		3047361	10
SZS 1,0X4,0 VDE		1205066	10

UC-TM 6, UCT-TM 6 or ZB 6 (see Catalog 5)

UC-TM 8, UCT-TM 8 or ZB 8 (see Catalog 5)

UC-TM 10, UCT-TM 10 or ZB 10 (see Catalog 5)

UT ... feed-through terminal blocks

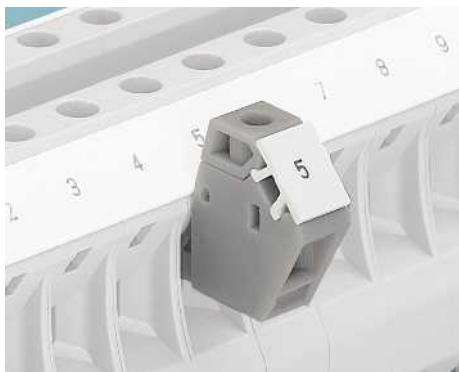


The continuous dual function shaft enables the standard bridge and test function as well as:

- The simple and time-saving potential in-feed and distribution of large currents and cross sections up to 35 mm² with reducing bridges
- The reducing bridges can be used to connect terminal blocks with different connection technologies, e.g., UT 35 screw terminal block to PT 2,5 push-in terminal blocks, in order to form power blocks
- The flexible options for reducing bridging in the CLIPLINE complete system can be found in the “Accessories” section

AGK 4-UT... pick-off terminal blocks

- The fully insulated pick-off terminal block (optional use) permits a voltage pick-off up to a nominal voltage of 1000 V (4 mm²)
- Large area for labeling



Notes:

1) For installation notes on the use of accessories for Ex e applications, see page 710.

2) The reducing bridge table should be followed, see page 476.



16 (25) mm², 101 A, feed-through terminal block



Ex: Ex IECEx
KEMA 04ATEX2048 U / IECEx KEM 06.0027U

Technical data

Dimensions		Width		Length		Height NS 35/7,5	
		12.2		55.5		55	
Max. electrical data		I _{max} [A]		U _{max} [V]		max. Ø [mm ²] AWG	
		101		1000		1.5 - 25 // 16 - 4	
		IEC 60947-7-1				Ex	
Rated data		IEC		UL/CUL		CSA	
Rated voltage [V]		1000		600		600	
Nominal current / cross section [A] / [mm ²]		76 / 16		85 / -		85 / -	
Rated cross section [mm ²]		16		-		-	
Cross section range AWG		16 - 4		16-4		16-4	
Connection capacity		solid		stranded		Ferrule	
						Without / with plastic sleeve	
1 conductor [mm ²]		1.5 - 25		1.5 - 25		1 - 16 // 1 - 16	
Two conductors (of the same type) [mm ²]		1 - 6		1 - 6		1 - 6	
Two stranded conductors with a TWIN ferrule [mm ²]						0.75 - 10	
General data		Stripping length [mm]		14			
		Screw thread		M5			
		Tightening torque [Nm]		2.5 - 3			
		Insulating material		PA			
		Inflammability class according to UL 94		V0			

Ordering data

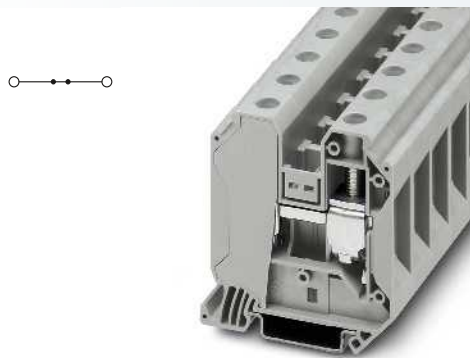
Description	No. of pos.	Color	Type	I _{max}	Order No.	Pcs. / Pkt.
Terminal block, for mounting on NS 35...		gray blue	UT 16 UT 16 BU		3044199 3044209	50 50

Accessories¹⁾

Description	No. of pos.	Color	Type	I _{max}	Order No.	Pcs. / Pkt.
Pick-off terminal block, for snapping into the lateral guide		gray	AGK 4-UT 16		3047125	50
Cover, width 2.2 mm		gray	D-UT 16		3047206	50
Plug-in bridge	2	red	FBS 2-12	76 A	3005950	10
Reducing bridge ²⁾	2	red	RB UT 16-(2,5/4)		3047073	10
Reducing bridge ²⁾	2	red	RB UT 16-ST(2,5/4)		3047099	10
Warning label, for UT series		yellow	WS UT 16		3047374	10
Screwdriver			SZS 1,0X6,5 VDE		1205079	10

Lateral groove labeling

UC-TM 12, UCT-TM 12 or ZB 12 (see Catalog 5)



35 (50) mm², 150 A, feed-through terminal block



Ex: KEMA 04ATEX2048 U / IECEx KEM 06.0027U

Technical data

Width	Length	Height NS 35/7,5	
16	60.2	65.7	
I_{max} [A]	U_{max} [V]	max. Ø [mm ²]	AWG
150	1000	1.5 - 50	16 - 1/0
IEC 60947-7-1			
IEC	UL/CUL	CSA	IEC/ EN 60079-7
1000	600	600	690
125 / 35	150 / -	150 / -	126 / 35 // 129 / 50
35	-	-	35
16 - 1/0	14-1/0	14-1/0	16 - 1/0
solid	stranded	Ferrule	
		Without / with plastic sleeve	
1.5 - 50	1.5 - 50	1.5 - 35	1.5 - 35
1.5 - 16	1.5 - 10	1.5 - 10	-
		1.5 - 16	

18
M6
3.2 - 3.7
PA
V0

Ordering data

Type	I_{max}	Order No.	Pcs. / Pkt.
UT 35		3044225	50
UT 35 BU		3044238	50

Accessories¹⁾

Accessories	I_{max}	Order No.	Pcs. / Pkt.
AGK 4-UT 35		3047138	50
FBS 2-16	101 A	3005963	10
RB UT 35-(2,5/4)		3047277	10
RB 35-16		3032169	10
RB UT 35-ST(2,5/4)		3047280	10
WS UT 35		3047387	10
SZS 1,0X6,5 VDE		1205079	10

UC-TM 16, UCT-TM 16 or ZB 16,3
(see Catalog 5)

UT screw connection terminal blocks

UKH ... high-current terminal blocks

– Bolt connection - bolt connection
See page 464



The compact universal high-current terminal blocks are available for up to 240 mm² and 415 A and ground terminal blocks of the same shape up to 95 mm².

The reliable cable connection is ensured through highly effective measures:

- Three-point centering of conductor in prismatic sleeve base
- Low transitional resistance levels of contact surface through use of striation
- Screws secured through use of spring-loaded elements in terminal block body
- The UKH ... EP insertion profile is provided for a secure strip conductor connection
- The fully-insulated pick-off terminal block (optional use) permits a voltage pick-off up to a nominal voltage of 1000 V (10 mm²)
- Large area for labeling

High-current connector with bolt connection

The UHV ... high-current plug-in connectors also cover the cross section range up to 240 mm² and 415 A. The following version combinations are available:

- Screw connection - screw connection
- Screw connection - bolt connection



Notes:
1) For installation notes on the use of accessories for Ex e applications, see page 710.
2) See page 466.



50 (70) mm², 150 A, feed-through terminal block

Ex:

 KEMA 98ATEX1786U / IECEx KEM 06.0029U

Dimensions	
Dimensions	[mm]
Dimensions	[mm]
Max. electrical data	
Rated data	
Rated voltage	[V]
Nominal current / cross section	[A] / [mm ²]
Rated cross section	[mm ²]
Cross section range	AWG
Connection capacity	
1 conductor	[mm ²]
Two conductors (of the same type)	[mm ²]
Max. cross section with insertion bridge	[mm ²]
General data	
Stripping length	[mm]
Screw thread	
Tightening torque	[Nm]
Insulating material	
Inflammability class according to UL 94	

Technical data			
Width	Length	Height NS 35/15	
20	75.5	83.5	
Width	Length	Height NS 32	
20	75.5	81.5	
I _{max} [A]	U _{max} [V]	max. Ø [mm ²]	AWG
150	1000	16 - 70	6 - 2/0
IEC 60947-7-1			
IEC	UL/CUL	CSA	IEC/EN 60079-7
1000	600	600	690
150 / 50	150 / -	150 / -	137
Rated cross section	[mm ²]	50	50
Cross section range	AWG	6 - 2/0	6 - 2/0
Connection capacity		Ferrule	
solid	stranded	Without / with plastic sleeve	
16 - 70	25 - 70	25 - 50	25 - 50
10 - 16	10 - 16	10 - 16	-
24			
M6			
6 - 8			
PA			
V0			

Description	No. of pos.	Color
Terminal block, for mounting on NS 32, NS 35/15 or NS 35/15-2,3		gray
		blue

Pick-off terminal block, for snapping into the lateral guide	gray
Fixed bridge, for cross connections in the terminal center, screw heads with insulating collar, first remove partition center	
	2 silver
	3 silver

Insertion bridge, fully insulated, is laid into terminal sleeve and snapped into the terminal housing	
	2 gray
	3 gray

Insertion profile, levels out the prism-shaped sleeve when using flat-ribbon conductors ²⁾	silver
---	--------

Aluminum end bracket, for screwing on, for end support for the UKH 50 - UKH 240, can be labeled with ZB 10, for mounting on NS 32...	silver
--	--------

Aluminum end bracket, for screwing on, for end support of 50 - 300 mm ² terminal blocks, can be labeled with ZB 10, for mounting on NS 35...	silver
---	--------

Allen wrench, fully insulated, safety tool in accordance with EN 60900, length: 150 mm, handle width: 110 mm	
--	--

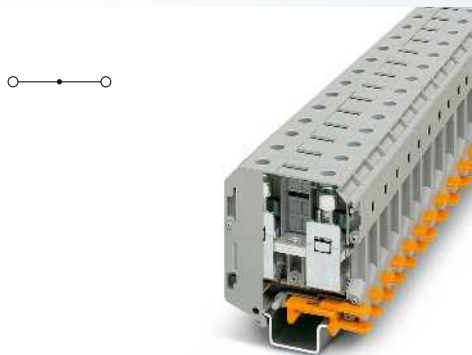
Screwdriver	
-------------	--

Lateral groove labeling	
-------------------------	--

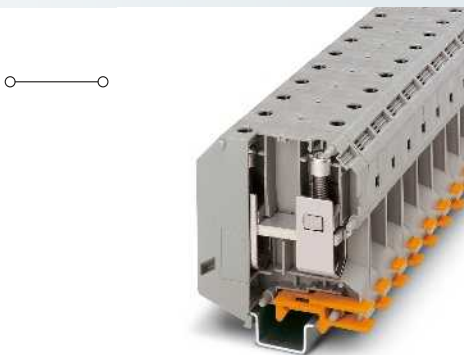
Ordering data			
Type	I _{max}	Order No.	Pcs. / Pkt.
UKH 50		3009118	10
UKH 50 BU		3009105	10

Accessories ¹⁾			
Type	I _{max}	Order No.	Pcs. / Pkt.
AGK 10-UKH 50	57 A	3001763	10
FBI 2-20	150 A	0201346	10
FBI 3-20	150 A	0201317	10
UKH 50 EP		3009228	10
E/AL-NS 32		1201659	10
E/AL-NS 35		1201662	10
SZS 1,2X8,0 VDE		1205082	10

UC-TM 10, UCT-TM 10 or ZB 10 (see Catalog 5)
--



70 (95) mm², 192 A, feed-through terminal block



95 (95) mm², 232 A, feed-through terminal block



Ex: KEMA 98ATEX1786U / IECEx KEM 06.0029U

Technical data			
Width	Length	Height NS 35/15	
20.3	70.5	87.5	
Width	Length	Height NS 32	
20.3	70.5	85.5	
I _{max} [A]	U _{max} [V]	max. Ø [mm ²]	AWG
192	1000	16 - 95	4 - 3/0
IEC 60947-7-1			
IEC	UL/CUL	CSA	IEC/EN 60079-7
1000	1000	1000	-
192 / 70	192 / -	192 / -	-
70	-	-	-
4 - 3/0	6-3/0	6-3/0	-
solid	stranded	Ferrule	
Without / with plastic sleeve			
16 - 95	25 - 70	16 - 70	16 - 70
16 - 25	16 - 25	16 - 25	-
24			
M8			
8 - 10			
PA			
V0			

Technical data			
Width	Length	Height NS 35/15	
25	83	97.5	
Width	Length	Height NS 32	
25	83	95.5	
I _{max} [A]	U _{max} [V]	max. Ø [mm ²]	AWG
232	1000	25 - 95	4 - 3/0
IEC 60947-7-1			
IEC	UL/CUL	CSA	IEC/EN 60079-7
1000	600	600	880
232 / 95	230 / -	200 / -	216 / 95 //
95	-	-	95
4 - 3/0	2-4/0	2-4/0	4 - 3/0
solid	stranded	Ferrule	
Without / with plastic sleeve			
25 - 95	35 - 95	35 - 95	35 - 95
25 - 35	25 - 35	16 - 35	-
95	70		
33			
M8			
15 - 20			
PA			
V0			

Ordering data			
Type	I _{max}	Order No.	Pcs. / Pkt.
UKH 70		3213140	10
UKH 70 BU		3244601	10

Ordering data			
Type	I _{max}	Order No.	Pcs. / Pkt.
UKH 95		3010013	10
UKH 95 BU		3010136	10

Accessories ¹⁾			
AGK 10-UKH 50	57 A	3001763	10
FBI 2-20 N	192 A	3213195	10
FBI 3-20 N	192 A	3213205	10
UKH 50 EP		3009228	10
E/AL-NS 32		1201659	10
E/AL-NS 35		1201662	10
VDE-ISS 6		1201934	1

Accessories ¹⁾			
AGK 10-UKH 95	57 A	3003541	10
EB 2-25/UKH	232 A	0201362	10
EB 3-25/UKH	232 A	0201375	10
UKH 95 EP		3009231	10
E/AL-NS 32		1201659	10
E/AL-NS 35		1201662	10
VDE-ISS 6		1201934	1

UC-TM 10, UCT-TM 10 or ZB 10 (see Catalog 5)

UC-TM 10, UCT-TM 10 or ZB 10 (see Catalog 5)

UT screw connection terminal blocks

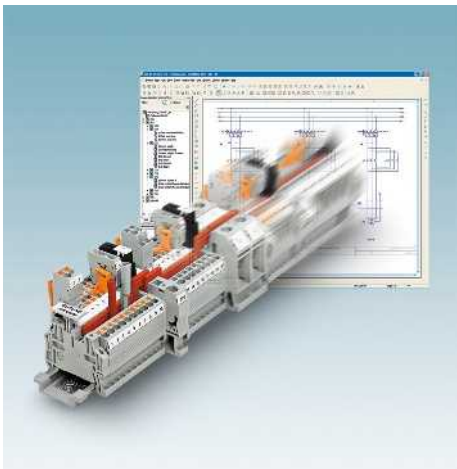
UKH ... high-current terminal blocks



AGK 10-UKH... pick-off terminal blocks

- The fully-insulated pick-off terminal block (optional use) permits a voltage pick-off up to a nominal voltage of 1000 V (10 mm²)
- Large area for labeling

CLIP PROJECT Planning enables the quick and convenient planning and configuration of fault-free terminal strips.



Notes:
1) For installation notes on the use of accessories for Ex e applications, see page 710.
2) See page 466.



150 (150) mm², 309 A, feed-through terminal block



Ex: KEMA 99ATEX8332 U / IECEx KEM 06.0030U

Technical data

Dimensions	[mm]	
Width	31	100
Length	100	118.5
Height NS 35/15		
Width	31	100
Length	100	116
Height NS 32		
Max. electrical data		
I _{max} [A]	309	1000
U _{max} [V]		1000
max. Ø [mm ²]		35 - 150
AWG		2 - 300 kcmil
Rated data		
Rated voltage [V]	1000	600
Nominal current / cross section [A] / [mm ²]	309 / 150	285 / -
Rated cross section [mm ²]	150	-
Cross section range AWG	2 - 300 kcmil	2-300
Connection capacity		
1 conductor [mm ²]	35 - 150	50 - 150
Two conductors (of the same type) [mm ²]	25 - 50	35 - 50
Max. cross section with insertion bridge [mm ²]	150	120
General data		
Stripping length [mm]	40	
Screw thread	M10	
Tightening torque [Nm]	25 - 30	
Insulating material	PA	
Inflammability class according to UL 94	V0	

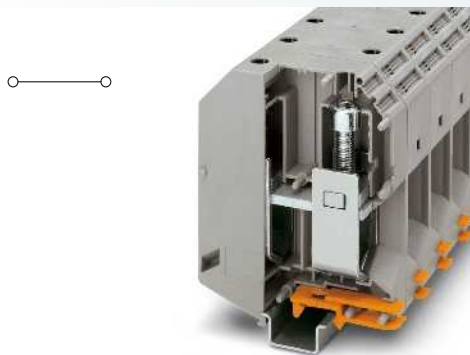
Ordering data

Description	No. of pos.	Color	Type	I _{max}	Order No.	Pcs. / Pkt.
Terminal block, for mounting on NS 32, NS 35/15 or NS 35/15-2,3		gray	UKH 150		3010110	10
		blue	UKH 150 BU		3010123	10

Accessories¹⁾

Pick-off terminal block, for snapping into the lateral guide		gray	AGK 10-UKH 150/240	57 A	3003554	10
Insertion bridge, fully insulated, is laid into terminal sleeve and snapped into the terminal housing	2	gray	EB 2-31/UKH	232 A	0201388	10
	3	gray	EB 3-31/UKH	232 A	0201391	10
			UKH 150/240 EP		3009244	10
Aluminum end bracket, for screwing on, for end support for the UKH 50 - UKH 240, can be labeled with ZB 10, for mounting on NS 32...		silver	E/AL-NS 32		1201659	10
Aluminum end bracket, for screwing on, for end support of 50 - 300 mm ² terminal blocks, can be labeled with ZB 10, for mounting on NS 35...		silver	E/AL-NS 35		1201662	10
Allen wrench, fully insulated, safety tool in accordance with EN 60900, length: 150 mm, handle width: 110 mm			VDE-ISS 8		1201947	1

Lateral groove labeling	UC-TM 10, UCT-TM 10 or ZB 10 (see Catalog 5)
-------------------------	--



240 (240) mm², 415 A, feed-through terminal block



Ex: KEMA 99ATEX8332 U / IECEx KEM 06.0030U

Technical data

Width	Length	Height NS 35/15	
36	100	131.5	
Width	Length	Height NS 32	
36	100	129.5	
I _{max} [A]	U _{max} [V]	max. Ø [mm ²]	AWG
415	1000	70 - 240	2/0 - 500 kcmil
IEC 60947-7-1			
IEC	UL/CUL	CSA	IEC/EN 60079-7
1000	600	600	1100
415 / 240	380 / -	400 / -	350 / 240 // 350 / 240
240	-	-	240
2/0 - 500 kcmil solid	2/0-500 stranded	1/0-500	2/0 - 500 kcmil Ferrule
Without / with plastic sleeve			
70 - 240	70 - 240	70 - 185	70 - 185
35 - 95	50 - 95	35 - 50	-
240	185		

40
M10
25 - 30
PA
V0

Ordering data

Type	I _{max}	Order No.	Pcs. / Pkt.
UKH 240		3010217	10
UKH 240 BU		0711852	10

Accessories¹⁾

AGK 10-UKH 150/240	57 A	3003554	10
EB 2-36/UKH	320 A	0201401	10
EB 3-36/UKH	320 A	0201414	10
UKH 150/240 EP		3009244	10
E/AL-NS 32		1201659	10
E/AL-NS 35		1201662	10
VDE-ISS 8		1201947	1

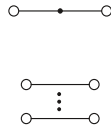
UC-TM 10, UCT-TM 10 or ZB 10
(see Catalog 5)

UT screw connection terminal blocks

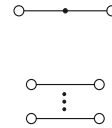
UKH ...3L... high-current terminal block bases for DIN rail mounting

- Terminal blocks and bases for up to 415 A with a space-saving design for DIN rail mounting
- The fully-insulated pick-off terminal block (optional use) permits a voltage pick-off up to a nominal voltage of 1000 V (10 mm²)

Notes:
1) See page 466.



50 (70) mm², 150 A, terminal block base



70 (95) mm², 192 A, terminal block base

Dimensions	
Dimensions	[mm]
Dimensions	[mm]
Max. electrical data	
Rated data	
Rated voltage	[V]
Nominal current / cross section	[A] / [mm ²]
Rated cross section	[mm ²]
Cross section range	AWG
Connection capacity	
1 conductor	[mm ²]
Two conductors (of the same type)	[mm ²]
Max. cross section with insertion bridge	[mm ²]
General data	
Stripping length	[mm]
Screw thread	
Tightening torque	[Nm]
Insulating material	
Inflammability class according to UL 94	

Technical data				
Width	Length	Height NS 35/15		
60	75.5	83.5		
Width	Length	Height NS 32		
60	75.5	81.5		
I _{max.} [A]	U _{max.} [V]	max. Ø [mm ²]	AWG	
150	1000	16 - 70	6 - 2/0	
IEC 60947-7-1	UL/CUL	CSA	IEC/ EN 60079-7	
1000	-	-	-	
150 / 50	- / -	-	-	
50	-	-	-	
6 - 2/0	-	-	-	
Connection capacity		Ferrule		
solid	stranded	Without / with plastic sleeve		
16 - 70	25 - 70	25 - 50	25 - 50	
10 - 16	10 - 16	10 - 16	-	
Stripping length				
24				
Screw thread				
M6				
Tightening torque				
6 - 8				
Insulating material				
PA				
Inflammability class according to UL 94				
V0				

Technical data				
Width	Length	Height NS 35/15		
60.9	70.5	87.5		
Width	Length	Height NS 32		
60.9	70.5	85.5		
I _{max.} [A]	U _{max.} [V]	max. Ø [mm ²]	AWG	
192	1000	16 - 95	4 - 3/0	
IEC 60947-7-1	UL/CUL	CSA	IEC/ EN 60079-7	
1000	-	-	-	
192 / 70	- / -	-	-	
70	-	-	-	
4 - 3/0	-	-	-	
Connection capacity		Ferrule		
solid	stranded	Without / with plastic sleeve		
16 - 95	25 - 70	16 - 70	16 - 70	
16 - 25	16 - 25	16 - 25	-	
Stripping length				
24				
Screw thread				
M8				
Tightening torque				
8 - 10				
Insulating material				
PA				
Inflammability class according to UL 94				
V0				

Ordering data		
Description	No. of pos.	Color
Terminal block, for mounting on NS 32, NS 35/15 or NS 35/15-2,3		gray
Terminal block base, four feed-through terminal blocks, 3 x gray, 1 x blue		gray/blue
Terminal block base, four feed-through terminal blocks, 3 x gray, 1 x black-yellow		gray/black-yellow
Terminal block base, five feed-through terminal blocks, 3 x gray, 1 x blue, 1 x black-yellow		gray/blue/black-yellow

Ordering data		
Type	Order No.	Pcs. / Pkt.
UKH 50-3L	3076634	3
UKH 50-3L/N	3076635	2
UKH 50-3L/FE	3076636	2
UKH 50-3L/N/FE	3076637	2

Ordering data		
Type	Order No.	Pcs. / Pkt.
UKH 70-3L	3076329	4
UKH 70-3L/N	3076361	3
UKH 70-3L/FE	3076400	3
UKH 70-3L/N/FE	3076442	2

Accessories		
Pick-off terminal block, for snapping into the lateral guide	gray	
Fixed bridge, for cross connections in the terminal center, screw heads with insulating collar, first remove partition plate		
	2	silver
	3	silver
Insertion bridge, fully insulated, is laid into terminal sleeve and snapped into the terminal housing		
	2	gray
	3	gray
Insertion profile, levels out the prism-shaped sleeve when using flat-ribbon conductors ¹⁾		silver
Screwdriver		
Allen wrench, fully insulated, safety tool in accordance with EN 60900, length: 150 mm, handle width: 110 mm		

Accessories		
AGK 10-UKH 50	3001763	10
FBI 2-20	0201346	10
FBI 3-20	0201317	10
UKH 50 EP	3009228	10
SZS 1,2X8,0 VDE	1205082	10

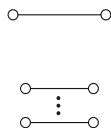
Accessories		
AGK 10-UKH 50	3001763	10
FBI 2-20 N	3213195	10
FBI 3-20 N	3213205	10
UKH 50 EP	3009228	10
VDE-ISS 6	1201934	1

Later groove labeling

UC-TM 10, UCT-TM 10 or ZB 10 (see Catalog 5)

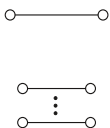
UC-TM 10, UCT-TM 10 or ZB 10 (see Catalog 5)

N



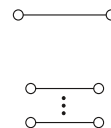
95 (95) mm², 232 A, terminal block base

N



150 (150) mm², 309 A, terminal block base

N



240 (240) mm², 415 A, terminal block base



Technical data				
Width	Length	Height NS 35/15		
75	82.8	97.5		
Width	Length	Height NS 32		
75	82.8	95.5		
I _{max} [A]	U _{max} [V]	max. Ø [mm ²]	AWG	
232	1000	25 - 95	4 - 3/0	
IEC 60947-7-1				
IEC	UL/CUL	CSA	IEC/EN 60079-7	
1000	600	-	-	
232 / 95	230 / -	-	-	
95	-	-	-	
4 - 3/0	2-4/0	-	-	
solid	stranded	Ferrule		
		Without / with plastic sleeve		
25 - 95	35 - 95	35 - 95	35 - 95	
25 - 35	25 - 35	16 - 35	-	
95	70			
33				
M8				
15 - 20				
PA				
V0				

Technical data				
Width	Length	Height NS 35/15		
93	100	118.5		
Width	Length	Height NS 32		
93	100	116		
I _{max} [A]	U _{max} [V]	max. Ø [mm ²]	AWG	
309	1000	35 - 150	2 - 300 kcmil	
IEC 60947-7-1				
IEC	UL/CUL	CSA	IEC/EN 60079-7	
1000	600	-	-	
309 / 150	285 / -	-	-	
150	-	-	-	
2 - 300 kcmil	2-300	-	-	
solid	stranded	Ferrule		
		Without / with plastic sleeve		
35 - 150	50 - 150	50 - 150	50 - 150	
25 - 50	35 - 50	25 - 50	-	
150	120			
40				
M10				
25 - 30				
PA				
V0				

Technical data				
Width	Length	Height NS 35/15		
108	100	131.5		
Width	Length	Height NS 32		
108	100	129.5		
I _{max} [A]	U _{max} [V]	max. Ø [mm ²]	AWG	
415	1000	70 - 240	2/0 - 500 kcmil	
IEC 60947-7-1				
IEC	UL/CUL	CSA	IEC/EN 60079-7	
1000	600	-	-	
415 / 240	380 / -	-	-	
240	-	-	-	
2/0 - 500 kcmil	2/0-500	-	-	
solid	stranded	Ferrule		
		Without / with plastic sleeve		
70 - 240	70 - 240	70 - 185	70 - 185	
35 - 95	50 - 95	35 - 50	-	
240	185			
40				
M10				
25 - 30				
PA				
V0				

Ordering data		
Type	Order No.	Pcs. / Pkt.
UKH 95-3L	3076332	3
UKH 95-3L/N	3076374	2
UKH 95-3L/FE	3076413	2
UKH 95-3L/N/FE	3076455	2

Ordering data		
Type	Order No.	Pcs. / Pkt.
UKH 150-3L	3076345	3
UKH 150-3L/N	3076387	2
UKH 150-3L/FE	3076426	2
UKH 150-3L/N/FE	3076468	2

Ordering data		
Type	Order No.	Pcs. / Pkt.
UKH 240-3L	3076358	3
UKH 240-3L/N	3076390	2
UKH 240-3L/FE	3076439	2
UKH 240-3L/N/FE	3076471	2

Accessories		
AGK 10-UKH 95	3003541	10
EB 2-25/UKH	0201362	10
EB 3-25/UKH	0201375	10
UKH 95 EP	3009231	10
VDE-ISS 6	1201934	1

Accessories		
AGK 10-UKH 150/240	3003554	10
EB 2-31/UKH	0201388	10
EB 3-31/UKH	0201391	10
UKH 150/240 EP	3009244	10
VDE-ISS 8	1201947	1

Accessories		
AGK 10-UKH 150/240	3003554	10
EB 2-36/UKH	0201401	10
EB 3-36/UKH	0201414	10
UKH 150/240 EP	3009244	10
VDE-ISS 8	1201947	1

UC-TM 10, UCT-TM 10 or ZB 10 (see Catalog 5)

UC-TM 10, UCT-TM 10 or ZB 10 (see Catalog 5)

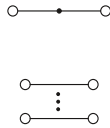
UC-TM 10, UCT-TM 10 or ZB 10 (see Catalog 5)

Modular terminal blocks - CLIPLINE complete

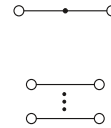
UT screw connection terminal blocks

UKH ...-F high-current terminal block bases for direct mounting

- Terminal blocks and bases for up to 415 A with a space-saving design for direct mounting
- The fully-insulated pick-off terminal block (optional use) permits a voltage pick-off up to a nominal voltage of 1000 V (10 mm²)



70 (70) mm², 150 A, terminal block bases, for direct mounting



70 (95) mm², 192 A, terminal block bases, for direct mounting

Notes:
For drilling diagram, see www.phoenixcontact.net/products
1) See page 466.



Dimensions		[mm]
Max. electrical data		
Rated voltage	[V]	1000
Nominal current / cross section	[A] / [mm ²]	150 / 50
Rated cross section	[mm ²]	50
Cross section range	AWG	6 - 2/0
Connection capacity		
1 conductor	[mm ²]	16 - 70
Two conductors (of the same type)	[mm ²]	10 - 16
Max. cross section with insertion bridge	[mm ²]	10 - 16
General data		
Stripping length	[mm]	24
Screw thread		M6
Tightening torque	[Nm]	8 - 10
Insulating material		PA
Inflammability class according to UL 94		V0

Technical data				
Width	Length	Height		
60	75.5	76		
I_{max} [A]	U_{max} [V]	max. Ø [mm ²]	AWG	
150	1000	16 - 70	6 - 2/0	
IEC 60947-7-1				
IEC	UL/CUL	CSA	IEC/EN 60079-7	
1000	-	-	-	
150 / 50	- / -	-	-	
50	-	-	-	
6 - 2/0	-	-	-	
Connection capacity				
	solid	stranded	Ferrule	
			Without / with plastic sleeve	
16 - 70	25 - 70	25 - 50	25 - 50	
10 - 16	10 - 16	10 - 16	-	

Technical data				
Width	Length	Height		
60.9	70.5	80		
I_{max} [A]	U_{max} [V]	max. Ø [mm ²]	AWG	
192	1000	16 - 95	4 - 3/0	
IEC 60947-7-1				
IEC	UL/CUL	CSA	IEC/EN 60079-7	
1000	-	-	-	
192 / 70	- / -	-	-	
70	-	-	-	
4 - 3/0	-	-	-	
Connection capacity				
	solid	stranded	Ferrule	
			Without / with plastic sleeve	
16 - 95	25 - 70	16 - 70	16 - 70	
16 - 25	16 - 25	16 - 25	-	

Description	No. of pos.	Color
Terminal block , for direct mounting		gray
Terminal block base , for direct mounting, with three gray feed-through terminal blocks		gray
Terminal block base , for direct mounting, four feed-through terminal blocks, 3 x gray, 1 x blue		gray/blue
Terminal block base , for direct mounting, four feed-through terminal blocks, 3 x gray, 1 x black-yellow		gray/black-yellow
Terminal block base , for direct mounting, five feed-through terminal blocks, 3 x gray, 1 x blue, 1 x black-yellow		gray/blue/black-yellow

Ordering data				
Type	I_{max}	Order No.	Pcs. / Pkt.	
UKH 50-F		3247019	10	
UKH 50-3L-F		3076638	3	
UKH 50-3L/N-F		3076639	2	
UKH 50-3L/FE-F		3076640	3	
UKH 50-3L/N/FE-F		3076641	2	

Ordering data				
Type	I_{max}	Order No.	Pcs. / Pkt.	
UKH 70-F		3247051	10	
UKH 70-3L-F		3076484	4	
UKH 70-3L/N-F		3076523	3	
UKH 70-3L/FE-F		3076565	3	
UKH 70-3L/N/FE-F		3076604	2	

Accessories		
Pick-off terminal block , for snapping into the lateral guide	gray	
Fixed bridge , for cross connections in the terminal center, screw heads with insulating collar, first remove partition plate		
	2	silver
	3	silver
Insertion bridge , fully insulated, is laid into terminal sleeve and snapped into the terminal housing		
	2	gray
	3	gray
Insertion profile , levels out the prism-shaped sleeve when using flat-ribbon conductors ¹⁾		silver
Screwdriver		
Allen wrench , fully insulated, safety tool in accordance with EN 60900, length: 150 mm, handle width: 110 mm		

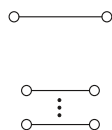
Accessories			
AGK 10-UKH 50		3001763	10
FBI 2-20	150 A	0201346	10
FBI 3-20	150 A	0201317	10
UKH 50 EP		3009228	10
SZS 1,2X8,0 VDE		1205082	10

Accessories			
AGK 10-UKH 50		3001763	10
FBI 2-20 N	192 A	3213195	10
FBI 3-20 N	192 A	3213205	10
UKH 50 EP		3009228	10
VDE-ISS 6		1201934	1

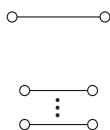
Lateral groove labeling	UC-TM 10, UCT-TM 10 or ZB 10 (see Catalog 5)
--------------------------------	--

Lateral groove labeling	UC-TM 10, UCT-TM 10 or ZB 10 (see Catalog 5)
--------------------------------	--

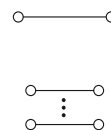
Lateral groove labeling	UC-TM 10, UCT-TM 10 or ZB 10 (see Catalog 5)
--------------------------------	--



95 (95) mm², 232 A, terminal block bases, for direct mounting



150 (150) mm², 309 A, terminal block bases, for direct mounting



240 (240) mm², 415 A, terminal block bases, for direct mounting



Technical data			
Width	Length	Height	
75	83	90	
I _{max} [A]	U _{max} [V]	max. Ø [mm ²]	AWG
232	1000	25 - 95	3 - 3/0
IEC 60947-7-1			
IEC	UL/CUL	CSA	IEC/EN 60079-7
1000	600	-	-
232 / 95	230 / -	-	-
95	-	-	-
3 - 3/0	2-4/0	-	-
solid	stranded	Ferrule	
		Without / with plastic sleeve	
25 - 95	35 - 95	35 - 95	35 - 95
25 - 35	25 - 35	16 - 35	-
95	70		
33			
M8			
15 - 20			
PA			
V0			

Technical data			
Width	Length	Height	
93	100	111	
I _{max} [A]	U _{max} [V]	max. Ø [mm ²]	AWG
309	1000	35 - 150	2 - 300 kcmil
IEC 60947-7-1			
IEC	UL/CUL	CSA	IEC/EN 60079-7
1000	600	-	-
309 / 150	285 / -	-	-
150	-	-	-
2 - 300 kcmil	2-300	-	-
solid	stranded	Ferrule	
		Without / with plastic sleeve	
35 - 150	50 - 150	50 - 150	50 - 150
25 - 50	35 - 50	25 - 50	-
150	120		
40			
M10			
25 - 30			
PA			
V0			

Technical data			
Width	Length	Height	
108	100	124	
I _{max} [A]	U _{max} [V]	max. Ø [mm ²]	AWG
415	1000	70 - 240	2/0 - 500 kcmil
IEC 60947-7-1			
IEC	UL/CUL	CSA	IEC/EN 60079-7
1000	600	-	-
415 / 240	380 / -	-	-
240	-	-	-
2/0 - 500 kcmil	2/0-500	-	-
solid	stranded	Ferrule	
		Without / with plastic sleeve	
70 - 240	70 - 240	70 - 185	70 - 185
35 - 95	50 - 95	35 - 50	-
240	185		
40			
M10			
25 - 30			
PA			
V0			

Ordering data			
Type	I _{max}	Order No.	Pcs. / Pkt.
UKH 95-F		3247022	10
UKH 95-3L-F		3076497	4
UKH 95-3L/N-F		3076536	2
UKH 95-3L/FE-F		3076578	2
UKH 95-3L/N/FE-F		3076617	2

Ordering data			
Type	I _{max}	Order No.	Pcs. / Pkt.
UKH 150-F		3247035	10
UKH 150-3L-F		3076507	4
UKH 150-3L/N-F		3076549	2
UKH 150-3L/FE-F		3076581	2
UKH 150-3L/N/FE-F		3076620	2

Ordering data			
Type	I _{max}	Order No.	Pcs. / Pkt.
UKH 240-F		3247048	10
UKH 240-3L-F		3076510	4
UKH 240-3L/N-F		3076552	2
UKH 240-3L/FE-F		3076594	2
UKH 240-3L/N/FE-F		3076633	2

Accessories			
AGK 10-UKH 95		3003541	10
EB 2-25/UKH	232 A	0201362	10
EB 3-25/UKH	232 A	0201375	10
UKH 95 EP		3009231	10
VDE-ISS 6		1201934	1

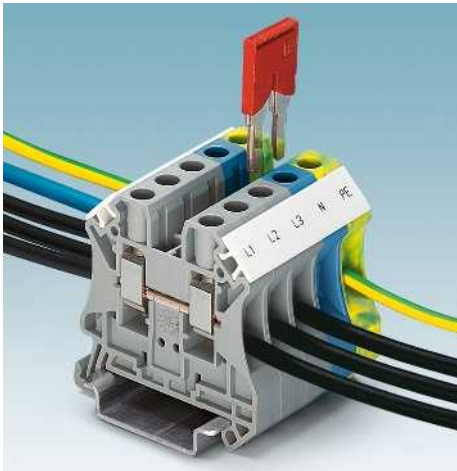
Accessories			
AGK 10-UKH 150/240		3003554	10
EB 2-31/UKH	300 A	0201388	10
EB 3-31/UKH	300 A	0201391	10
UKH 150/240 EP		3009244	10
VDE-ISS 8		1201947	1

Accessories			
AGK 10-UKH 150/240		3003554	10
EB 2-36/UKH	382 A	0201401	10
EB 3-36/UKH	382 A	0201414	10
UKH 150/240 EP		3009244	10
VDE-ISS 8		1201947	1

UC-TM 10, UCT-TM 10 or ZB 10
(see Catalog 5)

UC-TM 10, UCT-TM 10 or ZB 10
(see Catalog 5)

UC-TM 10, UCT-TM 10 or ZB 10
(see Catalog 5)



PEN function in accordance with IEC 60947-7-2 from 10 mm² rated cross section

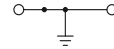
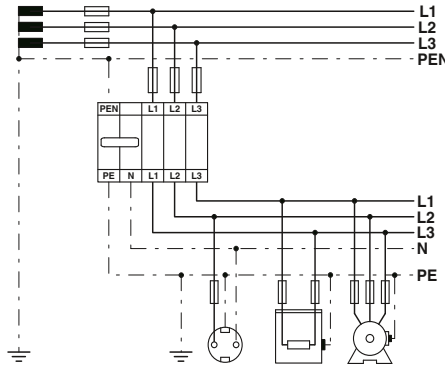
When electrical machine controls installed in a 5-conductor system are connected to the power supply at the site of installation, it is impossible to know in advance whether the connection will involve 4 or 5 conductors.

Larger cross sections normally have a 4-conductor feed, which must then be converted to a 5-conductor system on the terminal strip. The point at which the PEN conductor is split up into the neutral conductor and protective conductor is of particular importance here. In the case of UT screw terminal blocks, this separation can be implemented very easily and according to the standard using a block that consists of a green-yellow ground terminal block with a metal foot and a blue modular terminal block that is isolated toward the DIN rail. Both terminal blocks are interconnected with a powerful plug-in bridge through which the current of the neutral conductor from the system is led to the PEN conductor. A copper DIN rail is not necessary, since the rail only has a PE function when the power block is used and can therefore be made of steel. Please observe the maximum permissible short-circuit current of the DIN rail for the PE function.

Notes:

For current carrying capacity of DIN rails, see page 716.

¹⁾ For installation notes on the use of accessories for Ex e applications, see page 710.



2.5 (4) mm², ground terminal block



KEMA 04ATEX2048 U / IECEx KEM 06.0027U

Technical data

Width	Length	Height NS 35/7,5	
5.2	47.7	47.5	
Max. electrical data		max. Ø [mm ²]	AWG
		0.14 - 4	26 - 12
IEC 60947-2			
IEC	UL/CUL	CSA	IEC/EN 60079-7
2.5	-	-	2.5
Connection capacity		Ferrule	
		Without / with plastic sleeve	
1 conductor	[mm ²]	0.14 - 4	0.14 - 4
Two conductors (of the same type)	[mm ²]	0.14 - 1.5	0.14 - 1.5
Two stranded conductors with a TWIN ferrule	[mm ²]	0.14 - 1.5	0.14 - 1.5
General data			
Stripping length	[mm]	9	
Screw thread		M3	
Tightening torque	[Nm]	0.5 - 0.6	
Insulating material		PA	
Inflammability class according to UL 94		V0	

Ordering data

Type	Order No.	Pcs. / Pkt.
UT 2,5-PE	3044092	50

Accessories¹⁾

Accessories	Order No.	Pcs. / Pkt.
Pick-off terminal block, for snapping into the lateral guide		gray
Cover, width 2.2 mm		gray
Plug-in bridge		2, 3, 4, 5, 10, 20
Partition plate, 2 mm width		gray
Test adapter, 4-mm test socket hole		gray
Test plug metal part, 2.3 mm Ø		
Insulating sleeve, for MPS metal part		red
Modular test plug, for the individual assembly of test plug strips		red
Warning label, for UT series		yellow
Screwdriver		
D-UT 2,5/10	3047028	50
FBS 2-5	3030161	50
FBS 3-5	3030174	50
FBS 4-5	3030187	50
FBS 5-5	3030190	50
FBS 10-5	3030213	10
FBS 20-5	3030226	10
ATP-UT	3047167	50
PAI-4-N GY	3032871	10
MPS-MT	0201744	10
MPS-IH RD	0201676	10
PS-5	3030983	10
WS UT 2,5	3047923	10
SF-SL 0,6X3,5-100 S-VDE	1212587	10

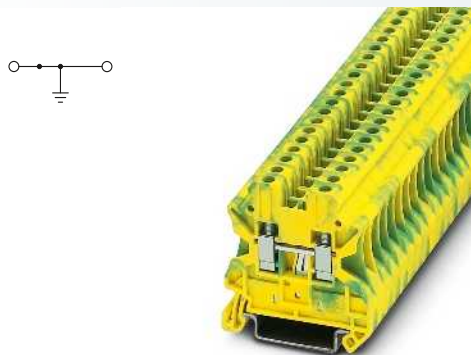
Dimensions	[mm]
Max. electrical data	

Rated data	[V]	[A] / [mm ²]	[mm ²]	AWG
Rated voltage	-	-	-	-
Nominal current / cross section	-	- / -	-	-
Rated cross section	2.5	-	-	2.5
Cross section range	26 - 12	26-12	26-12	26 - 12

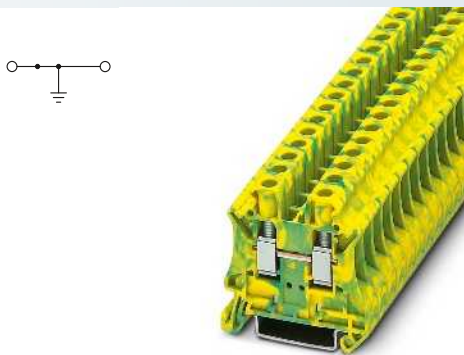
Description	No. of pos.	Color
Ground terminal block, for mounting on NS 35...		green-yellow

Description	No. of pos.	Color
Pick-off terminal block, for snapping into the lateral guide		gray
Cover, width 2.2 mm		gray
Plug-in bridge		2, 3, 4, 5, 10, 20
Partition plate, 2 mm width		gray
Test adapter, 4-mm test socket hole		gray
Test plug metal part, 2.3 mm Ø		
Insulating sleeve, for MPS metal part		red
Modular test plug, for the individual assembly of test plug strips		red
Warning label, for UT series		yellow
Screwdriver		

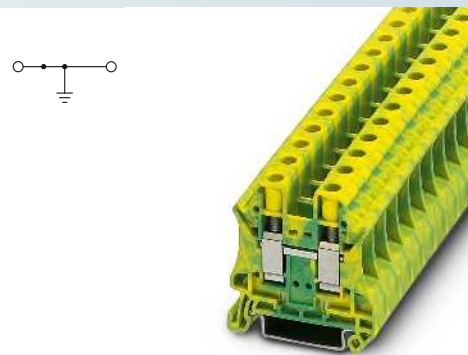
Lateral groove labeling
UC-TM 5, UCT-TM 5 or ZB 5 (see Catalog 5)



4 (6) mm², ground terminal block



6 (10) mm², ground terminal block



10 (16) mm², 76 A, ground terminal block



Ex: KEMA 04ATEX2048 U / IECEx KEM 06.0027U



Ex: KEMA 04ATEX2048 U / IECEx KEM 06.0027U



Ex: KEMA 04ATEX2048 U / IECEx KEM 06.0027U

Technical data			
Width	Length	Height NS 35/7,5	
6.2	47.7	47.5	
		max. Ø [mm ²]	AWG
		0.14 - 6	26 - 10
IEC 60947-7-2			
IEC	UL/CUL	CSA	IEC/ EN 60079-7
-	-	-	-
	- / -	-	-
4	-	-	4
26 - 10	26-10	26-10	26 - 10
solid	stranded	Ferrule	
		Without / with plastic sleeve	
0.14 - 6	0.14 - 6	0.14 - 4	0.14 - 4
0.14 - 1.5	0.14 - 1.5	0.14 - 1.5	-
			0.5 - 2.5
9			
M3			
0.6 - 0.8			
PA			
V0			

Technical data			
Width	Length	Height NS 35/7,5	
8.2	47.7	47.5	
		max. Ø [mm ²]	AWG
		0.2 - 10	24 - 8
IEC 60947-7-2			
IEC	UL/CUL	CSA	IEC/ EN 60079-7
-	-	-	-
	- / -	-	-
6	-	-	6
24 - 8	24-8	24-8	24 - 8
solid	stranded	Ferrule	
		Without / with plastic sleeve	
0.2 - 10	0.2 - 10	0.25 - 6	0.25 - 6
0.2 - 2.5	0.2 - 2.5	0.25 - 1.5	-
			0.5 - 4
10			
M4			
1.5 - 1.8			
PA			
V0			

Technical data			
Width	Length	Height NS 35/7,5	
10.2	47.7	47.5	
I _{max} [A]		max. Ø [mm ²]	AWG
76		0.5 - 16	20 - 6
IEC 60947-7-2			
IEC	UL/CUL	CSA	IEC/ EN 60079-7
-	-	-	-
	- / -	-	-
57 / 10	-	-	10
10	-	-	10
20 - 6	20-6	20-6	20 - 6
solid	stranded	Ferrule	
		Without / with plastic sleeve	
0.5 - 16	0.5 - 16	0.5 - 10	0.5 - 10
0.5 - 4	0.5 - 4	0.5 - 2.5	-
			0.5 - 6
10			
M4			
1.5 - 1.8			
PA			
V0			

Ordering data		
Type	Order No.	Pcs. / Pkt.
UT 4-PE	3044128	50

Ordering data		
Type	Order No.	Pcs. / Pkt.
UT 6-PE	3044157	50

Ordering data			
Type	I _{max}	Order No.	Pcs. / Pkt.
UT 10-PE		3044173	50

Accessories ¹⁾		
	Order No.	Pcs. / Pkt.
D-UT 2,5/10	3047028	50
FBS 2-6	3030336	50
FBS 3-6	3030242	50
FBS 4-6	3030255	50
FBS 5-6	3030349	50
FBS 10-6	3030271	10
FBS 20-6	3030365	10
ATP-UT	3047167	50
PAI-4-N GY	3032871	10
MPS-MT	0201744	10
MPS-IH RD	0201676	10
PS-6	3030996	10
WS UT 4	3047332	10
SF-SL 0,6X3,5-100 S-VDE	1212587	10

Accessories ¹⁾		
	Order No.	Pcs. / Pkt.
D-UT 2,5/10	3047028	50
FBS 2-8	3030284	10
FBS 3-8	3030297	10
FBS 4-8	3030307	10
FBS 5-8	3030310	10
FBS 10-8	3030323	10
ATP-UT	3047167	50
PAI-4-N GY	3032871	10
PS-8	3031005	10
WS UT 6	3047345	10
SZS 1,0X4,0 VDE	1205066	10

Accessories ¹⁾			
	I _{max}	Order No.	Pcs. / Pkt.
AGK 4-UT 10		3047112	50
D-UT 2,5/10		3047028	50
FBS 2-10	57 A	3005947	10
ATP-UT		3047167	50
WS UT 10		3047361	10
SZS 1,0X4,0 VDE		1205066	10

UC-TM 6, UCT-TM 6 or ZB 6 (see Catalog 5)

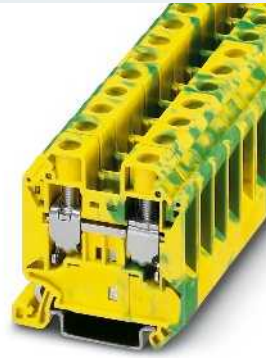
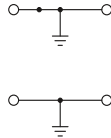
UC-TM 8, UCT-TM 8 or ZB 8 (see Catalog 5)

UC-TM 10, UCT-TM 10 or ZB 10 (see Catalog 5)

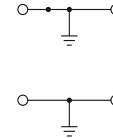
UT screw connection terminal blocks

UT ...-PE ground terminal blocks

Notes:
For current carrying capacity of DIN rails, see page 716.
1) For installation notes on the use of accessories for Ex e applications, see page 710.
2) See page 466.
3) UT 16-PE/S: screw thread / tightening torque of screw PE foot: M4 / 1.5-1.8 Nm UT 35-PE/S: screw thread / tightening torque of screw PE foot: M5 / 2.5-3 Nm



16 (25) mm², 101 A, ground terminal block



35 (35) mm², 125 A, ground terminal block



Ex: KEMA 04ATEX2048 U / IECEx KEM 06.0027U

Technical data			
Width	Length	Height NS 35/7,5	
12.2	55.5	55	
Width	Length	Height NS 35/15	
12.2	55.5	62.5	
Width	Length	Height NS 32	
12.2	55.5	-	
I_{max} [A]		max. Ø [mm ²]	AWG
101		1.5 - 25	16 - 4
IEC 60947-7-2			
IEC	UL/CUL	CSA	IEC/ EN 60079-7
Rated voltage	[V]	-	-
Nominal current / cross section	[A] / [mm ²]	76 / 16	- / -
Rated cross section	[mm ²]	16	-
Cross section range	AWG	16 - 4	16-4
Connection capacity		solid	stranded
		Ferrule Without / with plastic sleeve	
1 conductor	[mm ²]	1.5 - 25	1 - 16
Two conductors (of the same type)	[mm ²]	1 - 6	1 - 6
Two stranded conductors with a TWIN ferrule	[mm ²]		0.75 - 10
General data			
Stripping length	[mm]	14	
Screw thread		M5	
Mounting: thread / torque	- / [Nm]	- / -	
Tightening torque	[Nm]	2.5 - 3	
Insulating material		PA	
Inflammability class according to UL 94		V0	

Ordering data			
Type	I _{max}	Order No.	Pcs. / Pkt.
UT 16-PE		3044212	50
UT 16-PE/S		3215915	50

Accessories ¹⁾			
AGK 4-UT 16		3047125	50
D-UT 16		3047206	50
FBS 2-12	76 A	3005950	10
WS UT 16		3047374	10
SZS 1,0X6,5 VDE		1205079	10

UC-TM 12, UCT-TM 12 or ZB 12 (see Catalog 5)



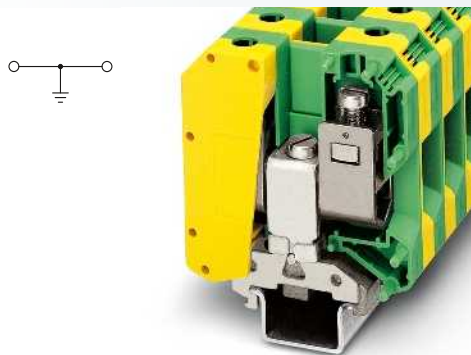
Ex: KEMA 04ATEX2048 U / IECEx KEM 06.0027U

Technical data			
Width	Length	Height NS 35/7,5	
16	60.2	65.7	
Width	Length	Height NS 35/15	
16	60.2	73.2	
Width	Length	Height NS 32	
16	60.2	-	
I_{max} [A]		max. Ø [mm ²]	AWG
125		1.5 - 35	16 - 2
IEC 60947-7-2			
IEC	UL/CUL	CSA	IEC/ EN 60079-7
Rated voltage	[V]	-	-
Nominal current / cross section	[A] / [mm ²]	125 / 35	- / -
Rated cross section	[mm ²]	35	-
Cross section range	AWG	16 - 2	14-2
Connection capacity		solid	stranded
		Ferrule Without / with plastic sleeve	
1.5 - 35	1.5 - 35	1.5 - 35	1.5 - 35
1.5 - 16	1.5 - 10	1.5 - 10	-
			1.5 - 16
General data			
Stripping length	[mm]	18	
Screw thread		M6	
Mounting: thread / torque	- / [Nm]	- / -	
Tightening torque	[Nm]	3.2 - 3.7	
Insulating material		PA	
Inflammability class according to UL 94		V0	

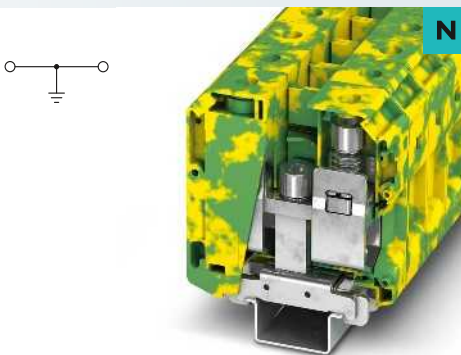
Ordering data			
Type	I _{max}	Order No.	Pcs. / Pkt.
UT 35-PE		3044241	50
UT 35-PE/S		3215928	50

Accessories ¹⁾			
AGK 4-UT 35		3047138	50
FBS 2-16	101 A	3005963	10
WS UT 35		3047387	10
SZS 1,0X6,5 VDE		1205079	10

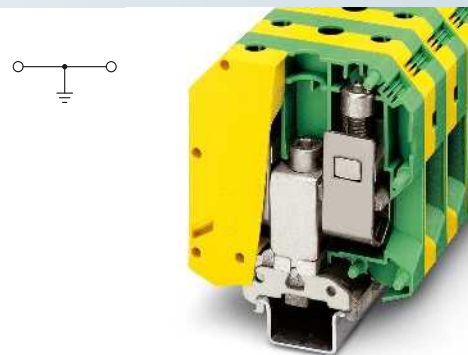
UC-TM 16, UCT-TM 16 or ZB 16,3 (see Catalog 5)



50 (70) mm², 150 A, ground terminal block



70 (95) mm², 192 A, ground terminal block



95 (95) mm², 232 A, ground terminal block



Ex: KEMA 99ATEX4487U / IECEx KEM 06.0035U

Technical data			
Width	Length	Height NS 35/7,5	
20	70.5	-	
Width	Length	Height NS 35/15	
20	70.5	83.5	
Width	Length	Height NS 32	
20	70.5	81.5	
I _{max} [A]		max. Ø [mm ²]	AWG
150		16 - 70	6 - 1/0
IEC 60947-7-2			
IEC	UL/CUL	CSA	IEC/ EN 60079-7
-	-	-	-
150 / 50	- / -	-	-
50	-	-	50
6 - 1/0	6 - 1/0	-	6 - 1/0
solid	stranded	Ferrule	
		Without / with plastic sleeve	
16 - 70	16 - 70	25 - 50	25 - 50
10 - 16	10 - 16	10 - 16	-

Technical data			
Width	Length	Height NS 35/7,5	
20.3	70.5	-	
Width	Length	Height NS 35/15	
20.3	70.5	87.5	
Width	Length	Height NS 32	
20.3	70.5	-	
I _{max} [A]		max. Ø [mm ²]	AWG
192		16 - 95	4 - 3/0
IEC 60947-7-2			
IEC	UL/CUL	CSA	IEC/ EN 60079-7
-	-	-	-
192 / 70	- / -	-	-
70	-	-	-
4 - 3/0	-	-	-
solid	stranded	Ferrule	
		Without / with plastic sleeve	
16 - 95	25 - 70	16 - 70	16 - 70
16 - 25	16 - 25	16 - 25	-



Ex: KEMA 99ATEX4487U / IECEx KEM 06.0035U

Technical data			
Width	Length	Height NS 35/7,5	
25	83	-	
Width	Length	Height NS 35/15	
25	83	97.5	
Width	Length	Height NS 32	
25	83	95.5	
I _{max} [A]		max. Ø [mm ²]	AWG
232		25 - 95	4 - 3/0
IEC 60947-7-2			
IEC	UL/CUL	CSA	IEC/ EN 60079-7
-	-	-	-
232 / 95	- / -	-	-
95	-	-	95
4 - 3/0	2 - 4/0	2 - 4/0	4 - 3/0
solid	stranded	Ferrule	
		Without / with plastic sleeve	
25 - 95	25 - 95	35 - 95	35 - 95
25 - 35	25 - 35	16 - 35	-

24
M6
M6 / 6 - 8

6 - 8
PA
V0

24
M8
M6 / 6 - 8

8 - 10
PA
V0

30
M8
M8 / 15 - 20

15 - 20
PA
V2

Ordering data		
Type	Order No.	Pcs. / Pkt.
USLKG 50	0443049	10

Ordering data		
Type	Order No.	Pcs. / Pkt.
UKH 70-PE/S	3213141	10

Ordering data		
Type	Order No.	Pcs. / Pkt.
USLKG 95	0441041	10

Accessories ¹⁾		
UKH 50 EP	3009228	10
SZS 1,2X8,0 VDE	1205082	10

Accessories ¹⁾		
UKH 50 EP	3009228	10
VDE-ISS 6	1201934	1

Accessories ¹⁾		
UKH 95 EP	3009231	10
VDE-ISS 6	1201934	1

UC-TM 10, UCT-TM 10 or ZB 10 (see Catalog 5)

UC-TM 10, UCT-TM 10 or ZB 10 (see Catalog 5)

UC-TM 10, UCT-TM 10 or ZB 10 (see Catalog 5)

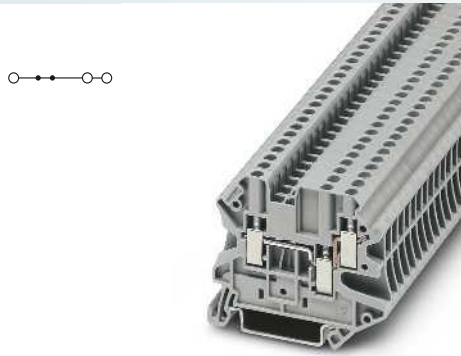
UT screw connection terminal blocks

UT ...-TWIN feed-through and PE terminal blocks with 3 connections

UT ...-TWIN terminal blocks with single-sided double connection enable:

- Space-saving and practical multi-conductor connection without additional bridge
- All potential distribution tasks can be undertaken with ease

Notes:
For current carrying capacity of DIN rails, see page 716.
1) The total current of all connected conductors must not exceed the max. load current.
2) For installation notes on the use of accessories for Ex e applications, see page 710.



2.5 (4) mm², 30 A, feed-through terminal block, 3 connections

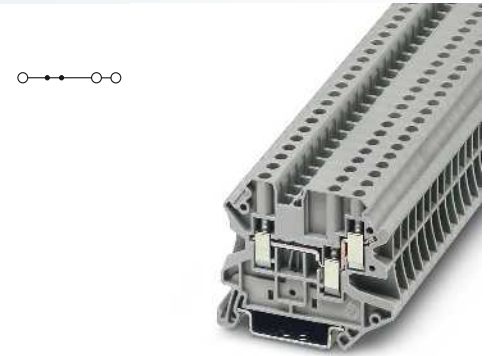


Ex: KEMA 06ATEX0017 U / IECEx KEM 06.0013U

Technical data				
Width	Length	Height NS 35/7,5		
5.2	57.8	47.5		
I_{max} [A]	U_{max} [V]	max. Ø [mm ²]	AWG	
30 ¹⁾	500	0.14 - 4	26 - 12	
IEC 60947-7-1		Ex		
IEC	UL/CUL	CSA	IEC/EN 60079-7	
Rated voltage [V]	500	150	150	352
Nominal current / cross section [A] / [mm ²]	24 ¹⁾ / 2.5	20 / -	20 / -	21 / 2.5 // 25 / 4
Rated cross section [mm ²]	2.5	-	-	2.5
Cross section range AWG	26 - 12	26-12	26-12	26 - 12
Connection capacity	solid	stranded	Ferrule	
1 conductor [mm ²]	0.14 - 4	0.14 - 4	0.14 - 2.5	0.14 - 2.5
Two conductors (of the same type) [mm ²]	0.14 - 1.5	0.14 - 1.5	0.14 - 1.5	-
Two stranded conductors with a TWIN ferrule [mm ²]				0.5 - 1
General data				
Stripping length [mm]	9			
Screw thread	M3			
Tightening torque [Nm]	0.5 - 0.6			
Insulating material	PA			
Inflammability class according to UL 94	V0			

Ordering data						
Description	No. of pos.	Color	Type	I_{max}	Order No.	Pcs. / Pkt.
Terminal block, for mounting on NS 35...		gray	UT 2,5-TWIN		3044513	50
Ground terminal block, for mounting on NS 35...		green-yellow	UT 2,5-TWIN BU		3044526	50

Accessories ²⁾						
Description	No. of pos.	Color	Type	I_{max}	Order No.	Pcs. / Pkt.
Cover, width 2.2 mm		gray	D-UT 2,5/4-TWIN		3047141	50
End cover segment, for covering multi-conductor terminal blocks when two-conductor terminal blocks are aligned		gray	DS-UT 2,5/4		3047109	50
Plug-in bridge			FBS 2-5	24 A	3030161	50
	2	red	FBS 3-5	24 A	3030174	50
	3	red	FBS 4-5	24 A	3030187	50
	4	red	FBS 5-5	24 A	3030190	50
	5	red	FBS 10-5	24 A	3030213	10
	10	red	FBS 20-5	24 A	3030226	10
	20	red	ATP-UT-TWIN		3047183	50
Partition plate, 2.2 mm wide		gray	PAI-4-N GY		3032871	10
Test adapter, 4-mm test socket hole		gray	MPS-MT		0201744	10
Test plug metal part, 2.3 mm Ø			MPS-IH RD		0201676	10
Insulating sleeve, for MPS metal part		red	PS-5		3030983	10
Modular test plug, for the individual assembly of test plug strips		red	WS UT 2,5		3047923	10
Warning label, for UT series		yellow	SF-SL 0,6X3,5-100 S-VDE		1212587	10
Screwdriver			UC-TM 5, UCT-TM 5 or ZB 5 (see Catalog 5)			



4 (6) mm², 41 A, feed-through terminal block, 3 connections

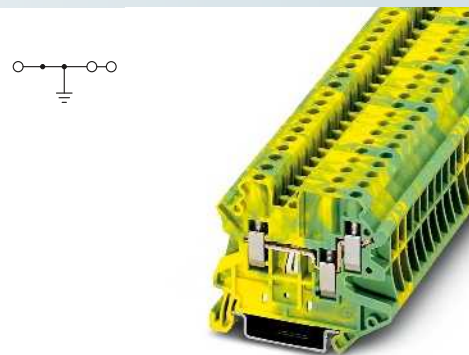
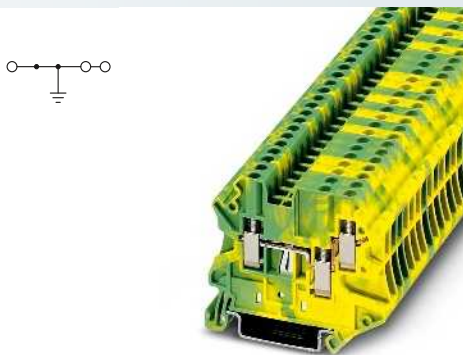
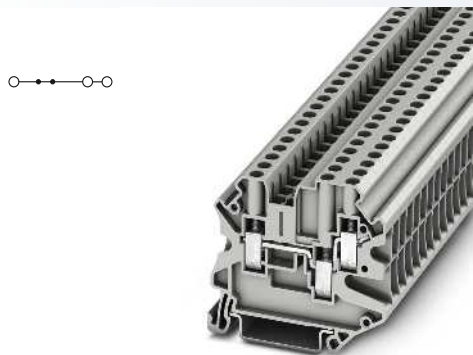


Ex: KEMA 06ATEX0017 U / IECEx KEM 06.0013U

Technical data				
Width	Length	Height NS 35/7,5		
6.2	57.8	47.5		
I_{max} [A]	U_{max} [V]	max. Ø [mm ²]	AWG	
41 ¹⁾	500	0.14 - 6	26 - 10	
IEC 60947-7-1		Ex		
IEC	UL/CUL	CSA	IEC/EN 60079-7	
Rated voltage [V]	500	150	150	352
Nominal current / cross section [A] / [mm ²]	32 ¹⁾ / 4	30 / -	30 / -	29 / 4 // 35 / 6
Rated cross section [mm ²]	4	-	-	4
Cross section range AWG	26 - 10	26-10	26-10	26 - 10
Connection capacity	solid	stranded	Ferrule	
1 conductor [mm ²]	0.14 - 6	0.14 - 6	0.14 - 4	0.14 - 4
Two conductors (of the same type) [mm ²]	0.14 - 1.5	0.14 - 1.5	0.14 - 1.5	-
Two stranded conductors with a TWIN ferrule [mm ²]				0.5 - 1
General data				
Stripping length [mm]	9			
Screw thread	M3			
Tightening torque [Nm]	0.6 - 0.8			
Insulating material	PA			
Inflammability class according to UL 94	V0			

Ordering data						
Description	No. of pos.	Color	Type	I_{max}	Order No.	Pcs. / Pkt.
Terminal block, for mounting on NS 35...		gray	UT 4-TWIN		3044364	50
Ground terminal block, for mounting on NS 35...		green-yellow	UT 4-TWIN BU		3044500	50

Accessories ²⁾						
Description	No. of pos.	Color	Type	I_{max}	Order No.	Pcs. / Pkt.
Cover, width 2.2 mm		gray	D-UT 2,5/4-TWIN		3047141	50
End cover segment, for covering multi-conductor terminal blocks when two-conductor terminal blocks are aligned		gray	DS-UT 2,5/4		3047109	50
Plug-in bridge			FBS 2-6	32 A	3030336	50
	2	red	FBS 3-6	32 A	3030242	50
	3	red	FBS 4-6	32 A	3030255	50
	4	red	FBS 5-6	32 A	3030349	50
	5	red	FBS 10-6	32 A	3030271	10
	10	red	FBS 20-6	32 A	3030365	10
	20	red	ATP-UT-TWIN		3047183	50
Partition plate, 2.2 mm wide		gray	PAI-4-N GY		3032871	10
Test adapter, 4-mm test socket hole		gray	MPS-MT		0201744	10
Test plug metal part, 2.3 mm Ø			MPS-IH RD		0201676	10
Insulating sleeve, for MPS metal part		red	PS-6		3030996	10
Modular test plug, for the individual assembly of test plug strips		red	WS UT 4		3047332	10
Warning label, for UT series		yellow	SF-SL 0,6X3,5-100 S-VDE		1212587	10
Screwdriver			UC-TM 6, UCT-TM 6 or ZB 6 (see Catalog 5)			



4 (6) mm², 41 A, 1000 V, feed-through terminal block, 3 connections

2.5 (4) mm², ground terminal block, 3 connections

4 (6) mm², ground terminal block, 3 connections



Ex: KEMA 06ATEX0017 U / IECEx KEM 06.0013U



Ex: KEMA 06ATEX0017 U / IECEx KEM 06.0013U

Technical data			
Width	Length	Height NS 35/7,5	
6.2	57.8	50	
I_{max} [A]	U_{max} [V]	max. Ø [mm ²]	AWG
39 ¹⁾	1000	0.14 - 6	26 - 10
IEC 60947-7-1			
IEC	UL/CUL	CSA	IEC/EN 60079-7
1000	-	-	-
32 ¹⁾ / 4	- / -	-	-
4	-	-	-
26 - 10	-	-	-
solid	stranded	Ferrule Without / with plastic sleeve	
0.14 - 6	0.14 - 6	0.14 - 4	0.14 - 4
0.14 - 1.5	0.14 - 1.5	0.14 - 1.5	-
			0.5 - 1
9	M3	0.6 - 0.8	PA
			V0

Technical data			
Width	Length	Height NS 35/7,5	
5.2	57.8	47.5	
I_{max} [A]	U_{max} [V]	max. Ø [mm ²]	AWG
-	-	0.14 - 4	26 - 12
IEC 60947-7-2			
IEC	UL/CUL	CSA	IEC/EN 60079-7
-	-	-	-
-	- / -	-	-
2.5	-	-	2.5
26 - 12	26-12	26-12	26 - 12
solid	stranded	Ferrule Without / with plastic sleeve	
0.14 - 4	0.14 - 4	0.14 - 2.5	0.14 - 2.5
0.14 - 1.5	0.14 - 1.5	0.14 - 1.5	-
			0.5 - 1
9	M3	0.5 - 0.6	PA
			V0

Technical data			
Width	Length	Height NS 35/7,5	
6.2	57.8	47.5	
I_{max} [A]	U_{max} [V]	max. Ø [mm ²]	AWG
-	-	0.14 - 6	26 - 10
IEC 60947-7-2			
IEC	UL/CUL	CSA	IEC/EN 60079-7
-	-	-	-
-	- / -	-	-
4	-	-	4
26 - 10	26-10	26-10	26 - 10
solid	stranded	Ferrule Without / with plastic sleeve	
0.14 - 6	0.14 - 6	0.14 - 4	0.14 - 4
0.14 - 1.5	0.14 - 1.5	0.14 - 1.5	-
			0.5 - 1
9	M3	0.6 - 0.8	PA
			V0

Ordering data			
Type	I_{max}	Order No.	Pcs. / Pkt.
UT 4-TWIN HV		3000608	50

Ordering data			
Type		Order No.	Pcs. / Pkt.
UT 2,5-TWIN-PE		3044539	50

Ordering data			
Type		Order No.	Pcs. / Pkt.
UT 4-TWIN-PE		3044380	50

Accessories ²⁾			
D-UT 4-TWIN HV		3000710	50
FBS 2-6	32 A	3030336	50
FBS 3-6	32 A	3030242	50
FBS 4-6	32 A	3030255	50
FBS 5-6	32 A	3030349	50
FBS 10-6	32 A	3030271	10
FBS 20-6	32 A	3030365	10
PAI-4-N GY		3032871	10
MPS-MT		0201744	10
MPS-IH RD		0201676	10
PS-6		3030996	10
WS UT 4		3047332	10
SF-SL 0,6X3,5-100 S-VDE		1212587	10

Accessories ²⁾			
D-UT 2,5/4-TWIN		3047141	50
DS-UT 2,5/4		3047109	50
FBS 2-5		3030161	50
FBS 3-5		3030174	50
FBS 4-5		3030187	50
FBS 5-5		3030190	50
FBS 10-5		3030213	10
FBS 20-5		3030226	10
ATP-UT-TWIN		3047183	50
PAI-4-N GY		3032871	10
MPS-MT		0201744	10
MPS-IH RD		0201676	10
PS-5		3030983	10
WS UT 2,5		3047923	10
SF-SL 0,6X3,5-100 S-VDE		1212587	10

Accessories ²⁾			
D-UT 2,5/4-TWIN		3047141	50
DS-UT 2,5/4		3047109	50
FBS 2-6		3030336	50
FBS 3-6		3030242	50
FBS 4-6		3030255	50
FBS 5-6		3030349	50
FBS 10-6		3030271	10
FBS 20-6		3030365	10
ATP-UT-TWIN		3047183	50
PAI-4-N GY		3032871	10
MPS-MT		0201744	10
MPS-IH RD		0201676	10
PS-6		3030996	10
WS UT 4		3047332	10
SF-SL 0,6X3,5-100 S-VDE		1212587	10

UC-TM 6, UCT-TM 6 or ZB 6 (see Catalog 5)

UC-TM 5, UCT-TM 5 or ZB 5 (see Catalog 5)

UC-TM 6, UCT-TM 6 or ZB 6 (see Catalog 5)

Modular terminal blocks - CLIPLINE complete

UT screw connection terminal blocks

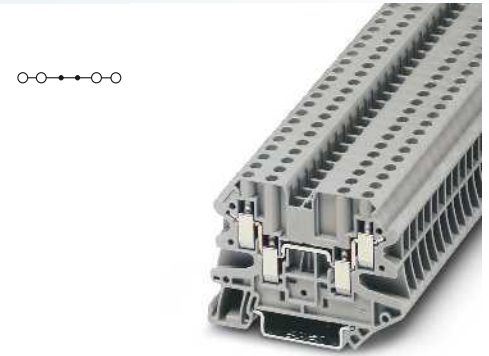
UT ...-QUATTRO feed-through and PE terminal blocks with 4 connections

– These variants can therefore be used as compact power distributors

Notes:
For current carrying capacity of DIN rails, see page 716.
1) The total current of all connected conductors must not exceed the max. load current.
2) For installation notes on the use of accessories for Ex e applications, see page 710.



2.5 (4) mm², 30 A, feed-through terminal block, 4 connections



4 (6) mm², 39 A, feed-through terminal block, 4 connections



Ex: KEMA 06ATEX0017 U / IECEx KEM 06.0013U

Technical data				
Width	Length	Height NS 35/7,5		
5.2	65.4	47.5		
I_{max} [A]	U_{max} [V]	max. Ø [mm ²]	AWG	
30 ¹⁾	500	0.14 - 4	26 - 12	
IEC 60947-7-1				
IEC	UL/CUL	CSA	IEC/EN 60079-7	
Rated voltage [V]	500	150	150 352	
Nominal current / cross section [A] / [mm ²]	24 ¹⁾ / 2.5	20 / -	20 / -	21 / 2.5 // 25 / 4
Rated cross section [mm ²]	2.5	-	2.5	
Cross section range AWG	26 - 12	26-12	26 - 12	
Connection capacity	solid	stranded	Ferrule	
1 conductor [mm ²]	0.14 - 4	0.14 - 4	Without / with plastic sleeve	0.14 - 2.5
Two conductors (of the same type) [mm ²]	0.14 - 1.5	0.14 - 1.5	0.14 - 1.5	
Two stranded conductors with a TWIN ferrule [mm ²]			0.5 - 1	
General data	9			
Stripping length [mm]	M3			
Screw thread	0.5 - 0.6			
Tightening torque [Nm]	PA			
Insulating material	V0			
Inflammability class according to UL 94				



Ex: KEMA 06ATEX0017 U / IECEx KEM 06.0013U

Technical data				
Width	Length	Height NS 35/7,5		
6.2	65.4	47.5		
I_{max} [A]	U_{max} [V]	max. Ø [mm ²]	AWG	
39 ¹⁾	500	0.14 - 6	26 - 10	
IEC 60947-7-1				
IEC	UL/CUL	CSA	IEC/EN 60079-7	
Rated voltage [V]	500	150	150 352	
Nominal current / cross section [A] / [mm ²]	32 ¹⁾ / 4	30 / -	30 / -	29 / 4 // 33 / 6
Rated cross section [mm ²]	4	-	4	
Cross section range AWG	26 - 10	26-10	26 - 10	
Connection capacity	solid	stranded	Ferrule	
1 conductor [mm ²]	0.14 - 6	0.14 - 6	Without / with plastic sleeve	0.14 - 4
Two conductors (of the same type) [mm ²]	0.14 - 1.5	0.14 - 1.5	0.14 - 1.5	
Two stranded conductors with a TWIN ferrule [mm ²]			0.5 - 1	
General data	9			
Stripping length [mm]	M3			
Screw thread	0.6 - 0.8			
Tightening torque [Nm]	PA			
Insulating material	V0			
Inflammability class according to UL 94				

Description	No. of pos.	Color
Terminal block, for mounting on NS 35...		gray blue
Ground terminal block, for mounting on NS 35...		green-yellow

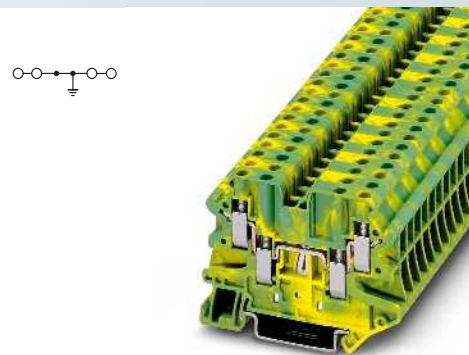
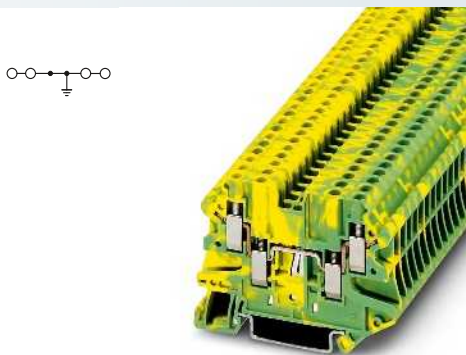
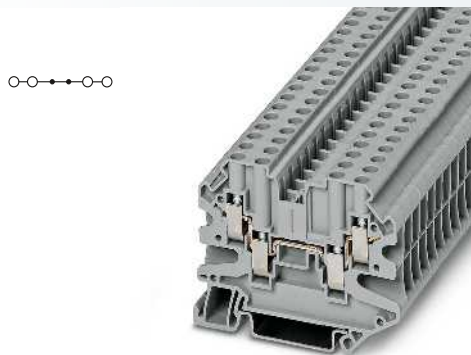
Ordering data				
Type	I_{max}	Order No.	Pcs. / Pkt.	
UT 2,5-QUATTRO		3044542	50	
UT 2,5-QUATTRO BU		3044555	50	

Ordering data				
Type	I_{max}	Order No.	Pcs. / Pkt.	
UT 4-QUATTRO		3044571	50	
UT 4-QUATTRO BU		3044584	50	

Cover, width 2.2 mm	gray
End cover segment, for covering multi-conductor terminal blocks when two-conductor terminal blocks are aligned	gray
Plug-in bridge	
	2 red
	3 red
	4 red
	5 red
	10 red
	20 red
Partition plate, 2.2 mm wide	gray
Test adapter, 4-mm test socket hole	gray
Test plug metal part, 2.3 mm Ø	
Insulating sleeve, for MPS metal part	red
Modular test plug, for the individual assembly of test plug strips	red
Warning label, for UT series	yellow
Screwdriver	
Later groove labeling	

Accessories ²⁾				
D-UT 2,5/4-QUATTRO	DS-UT 2,5/4			
FBS 2-5	24 A	3030161	50	
FBS 3-5	24 A	3030174	50	
FBS 4-5	24 A	3030187	50	
FBS 5-5	24 A	3030190	50	
FBS 10-5	24 A	3030213	10	
FBS 20-5	24 A	3030226	10	
ATP-UT-QUATTRO		3047196	50	
PAI-4-N GY		3032871	10	
MPS-MT		0201744	10	
MPS-IH RD		0201676	10	
PS-5		3030983	10	
WS UT 2,5		3047923	10	
SF-SL 0,6X3,5-100 S-VDE		1212587	10	
UC-TM 5, UCT-TM 5 or ZB 5 (see Catalog 5)				

Accessories ²⁾				
D-UT 2,5/4-QUATTRO	DS-UT 2,5/4			
FBS 2-6	32 A	3030336	50	
FBS 3-6	32 A	3030242	50	
FBS 4-6	32 A	3030255	50	
FBS 5-6	32 A	3030349	50	
FBS 10-6	32 A	3030271	10	
FBS 20-6	32 A	3030365	10	
ATP-UT-QUATTRO		3047196	50	
PAI-4-N GY		3032871	10	
MPS-MT		0201744	10	
MPS-IH RD		0201676	10	
PS-6		3030996	10	
WS UT 4		3047332	10	
SF-SL 0,6X3,5-100 S-VDE		1212587	10	
UC-TM 6, UCT-TM 6 or ZB 6 (see Catalog 5)				



4 (6) mm², 37 A, 1000 V, feed-through terminal block, 4 connections

2.5 (4) mm², ground terminal block, 4 connections

4 (6) mm², ground terminal block, 4 connections



Ex: KEMA 06ATEX0017 U / IECEx KEM 06.0013U



Ex: KEMA 06ATEX0017 U / IECEx KEM 06.0013U

Technical data			
Width	Length	Height NS 35/7,5	
6.2	65.4	50	
I_{max} [A]	U_{max} [V]	max. Ø [mm ²]	AWG
37 ¹⁾	1000	0.14 - 6	26 - 10
IEC 60947-7-1			
IEC	UL/CUL	CSA	IEC/EN 60079-7
1000	-	-	-
32 ¹⁾ / 4	- / -	-	-
4	-	-	-
26 - 10	-	-	-
solid	stranded	Ferrule Without / with plastic sleeve	
0.14 - 6	0.14 - 6	0.14 - 4	0.14 - 4
0.14 - 1.5	0.14 - 1.5	0.14 - 1.5	-
			0.5 - 1
9			
M3			
0.6 - 0.8			
PA			
V0			

Technical data			
Width	Length	Height NS 35/7,5	
5.2	65.4	47.5	
I_{max} [A]	U_{max} [V]	max. Ø [mm ²]	AWG
37 ¹⁾	1000	0.14 - 4	26 - 12
IEC 60947-7-2			
IEC	UL/CUL	CSA	IEC/EN 60079-7
-	-	-	-
-	- / -	-	-
2.5	-	-	2.5
26 - 12	26-12	26-12	26 - 12
solid	stranded	Ferrule Without / with plastic sleeve	
0.14 - 4	0.14 - 4	0.14 - 2.5	0.14 - 2.5
0.14 - 1.5	0.14 - 1.5	0.14 - 1.5	-
			0.5 - 1
9			
M3			
0.5 - 0.6			
PA			
V0			

Technical data			
Width	Length	Height NS 35/7,5	
6.2	65.4	47.5	
I_{max} [A]	U_{max} [V]	max. Ø [mm ²]	AWG
37 ¹⁾	1000	0.14 - 6	26 - 10
IEC 60947-7-2			
IEC	UL/CUL	CSA	IEC/EN 60079-7
-	-	-	-
-	- / -	-	-
4	-	-	4
26 - 10	26-10	26-10	26 - 10
solid	stranded	Ferrule Without / with plastic sleeve	
0.14 - 6	0.14 - 6	0.14 - 4	0.14 - 4
0.14 - 1.5	0.14 - 1.5	0.14 - 1.5	-
			0.5 - 1
9			
M3			
0.6 - 0.8			
PA			
V0			

Ordering data			
Type	I_{max}	Order No.	Pcs. / Pkt.
UT 4-QUATTRO HV		3048823	50
UT 4-QUATTRO HV BU		3048836	50

Ordering data			
Type	I_{max}	Order No.	Pcs. / Pkt.
UT 2,5-QUATTRO-PE		3044568	50

Ordering data			
Type	I_{max}	Order No.	Pcs. / Pkt.
UT 4-QUATTRO-PE		3044597	50

Accessories ²⁾			
D-UT 4-QUATTRO HV		3048852	50
FBS 2-6	32 A	3030336	50
FBS 3-6	32 A	3030242	50
FBS 4-6	32 A	3030255	50
FBS 5-6	32 A	3030349	50
FBS 10-6	32 A	3030271	10
FBS 20-6	32 A	3030365	10
ATP-UT-QUATTRO		3047196	50
PAI-4-N GY		3032871	10
MPS-MT		0201744	10
MPS-IH RD		0201676	10
PS-6		3030996	10
WS UT 4		3047332	10
SF-SL 0,6X3,5-100 S-VDE		1212587	10

Accessories ²⁾			
D-UT 2,5/4-QUATTRO		3047170	50
DS-UT 2,5/4		3047109	50
FBS 2-5		3030161	50
FBS 3-5		3030174	50
FBS 4-5		3030187	50
FBS 5-5		3030190	50
FBS 10-5		3030213	10
FBS 20-5		3030226	10
ATP-UT-QUATTRO		3047196	50
PAI-4-N GY		3032871	10
MPS-MT		0201744	10
MPS-IH RD		0201676	10
PS-5		3030983	10
WS UT 2,5		3047923	10
SF-SL 0,6X3,5-100 S-VDE		1212587	10

Accessories ²⁾			
D-UT 2,5/4-QUATTRO		3047170	50
DS-UT 2,5/4		3047109	50
FBS 2-6		3030336	50
FBS 3-6		3030242	50
FBS 4-6		3030255	50
FBS 5-6		3030349	50
FBS 10-6		3030271	10
FBS 20-6		3030365	10
ATP-UT-QUATTRO		3047196	50
PAI-4-N GY		3032871	10
MPS-MT		0201744	10
MPS-IH RD		0201676	10
PS-6		3030996	10
WS UT 4		3047332	10
SF-SL 0,6X3,5-100 S-VDE		1212587	10

UC-TM 6, UCT-TM 6 or ZB 6 (see Catalog 5)

UC-TM 5, UCT-TM 5 or ZB 5 (see Catalog 5)

UC-TM 6, UCT-TM 6 or ZB 6 (see Catalog 5)

Modular terminal blocks - CLIPLINE complete

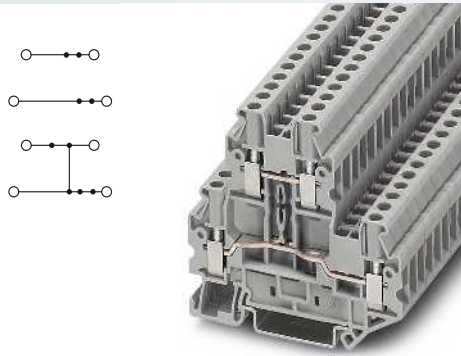
UT screw connection terminal blocks

UTTBTB ... double-level terminal blocks

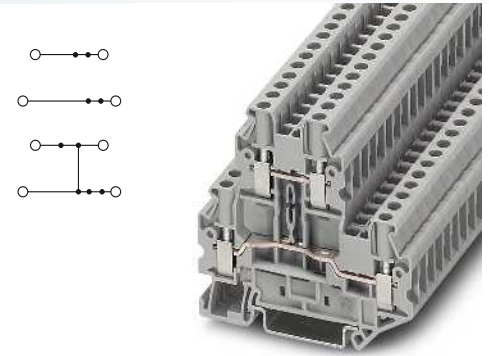
The compact double-level terminal blocks offer maximum wiring convenience with maximum space savings.

- Since they have two function shafts per level, all potential distribution work can be implemented at speed

Notes:
For current carrying capacity of DIN rails, see page 716.
1) The total current of all connected conductors must not exceed the max. load current.
2) For installation notes on the use of accessories for Ex e applications, see page 710.



2.5 (4) mm², 28 A, double-level terminal block



4 (6) mm², 36 A, double-level terminal block



Ex: KEMA 06ATEX0017 U / IECEx KEM 06.0013U

Technical data				
Width	Length	Height NS 35/7,5		
5.2	69.9	65		
I_{max} [A]	U_{max} [V]	max. Ø [mm ²]	AWG	
28	500	0.14 - 4	26 - 12	
IEC 60947-7-1				
IEC	UL/CUL	CSA	IEC/EN 60079-7	
Rated voltage [V]	500	600	600	352
Nominal current / cross section [A] / [mm ²]	24 / 2.5	20 / -	20 / -	20 / 2.5 // 24 / 4
Rated cross section [mm ²]	2.5	-	-	2.5
Cross section range AWG	26 - 12	26-12	26-12	26 - 12
Connection capacity				
	solid	stranded	Ferrule	
				Without / with plastic sleeve
1 conductor [mm ²]	0.14 - 4	0.14 - 4	0.14 - 2.5	0.14 - 2.5
Two conductors (of the same type) [mm ²]	0.14 - 1.5	0.14 - 1.5	0.14 - 1.5	-
Two stranded conductors with a TWIN ferrule [mm ²]				0.5 - 1.5
General data				
Stripping length [mm]	9			
Screw thread	M3			
Tightening torque [Nm]	0.5 - 0.6			
Insulating material	PA			
Inflammability class according to UL 94	V0			



Ex: KEMA 06ATEX0017 U / IECEx KEM 06.0013U

Technical data				
Width	Length	Height NS 35/7,5		
6.2	69.9	65		
I_{max} [A]	U_{max} [V]	max. Ø [mm ²]	AWG	
36	800	0.14 - 6	26 - 10	
IEC 60947-7-1				
IEC	UL/CUL	CSA	IEC/EN 60079-7	
Rated voltage [V]	800	600	600	440
Nominal current / cross section [A] / [mm ²]	30 / 4	30 / -	30 / -	25.5 / 4 // 31.5 / 6
Rated cross section [mm ²]	4	-	-	4
Cross section range AWG	26 - 10	26-10	26-10	26 - 10
Connection capacity				
	solid	stranded	Ferrule	
				Without / with plastic sleeve
1 conductor [mm ²]	0.14 - 6	0.14 - 6	0.14 - 4	0.14 - 4
Two conductors (of the same type) [mm ²]	0.14 - 1.5	0.14 - 1.5	0.14 - 1.5	-
Two stranded conductors with a TWIN ferrule [mm ²]				0.5 - 2.5
General data				
Stripping length [mm]	9			
Screw thread	M3			
Tightening torque [Nm]	0.6 - 0.8			
Insulating material	PA			
Inflammability class according to UL 94	V0			

Dimensions		
		[mm]
Max. electrical data		
		[mm ²]
Rated data		
Rated voltage [V]	500	600
Nominal current / cross section [A] / [mm ²]	24 / 2.5	20 / -
Rated cross section [mm ²]	2.5	-
Cross section range AWG	26 - 12	26-12
Connection capacity		
1 conductor [mm ²]	0.14 - 4	0.14 - 4
Two conductors (of the same type) [mm ²]	0.14 - 1.5	0.14 - 1.5
Two stranded conductors with a TWIN ferrule [mm ²]		0.5 - 1.5
General data		
Stripping length [mm]	9	
Screw thread	M3	
Tightening torque [Nm]	0.5 - 0.6	
Insulating material	PA	
Inflammability class according to UL 94	V0	

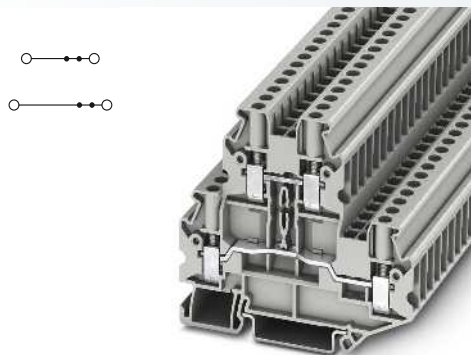
Ordering data						
Description	No. of pos.	Color	Type	I_{max}	Order No.	Pcs. / Pkt.
Terminal block, for mounting on NS 35...		gray	UTTBTB 2,5		3044636	50
Terminal block, with equipotential bond, for mounting on NS 35... ¹⁾		blue	UTTBTB 2,5 BU		3044649	50
Terminal block, with equipotential bond, for mounting on NS 35... ¹⁾		gray	UTTBTB 2,5-PV		3044652	50
Ground terminal block, for mounting on NS 35...		green-yellow				

Ordering data						
Description	No. of pos.	Color	Type	I_{max}	Order No.	Pcs. / Pkt.
Terminal block, for mounting on NS 35...		gray	UTTBTB 4		3044814	50
Terminal block, with equipotential bond, for mounting on NS 35... ¹⁾		blue	UTTBTB 4 BU		3044791	50
Terminal block, with equipotential bond, for mounting on NS 35... ¹⁾		gray	UTTBTB 4-PV		3044733	50

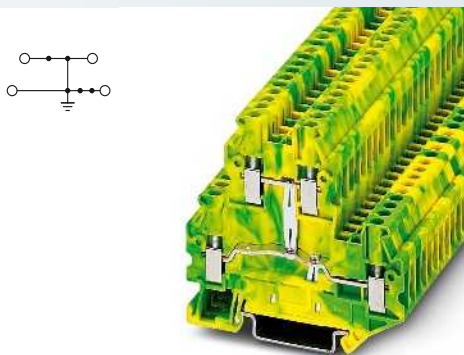
Accessories ²⁾		
Cover, width 2.2 mm	gray	
Spacer plate, compensates for level offsets, width 2.5 mm	gray	
Plug-in bridge		
	2	red
	3	red
	4	red
	5	red
	10	red
	20	red
Vertical potential bridge, to connect the upper and lower level		
	black	
Partition plate, 2.2 mm wide	gray	
Test adapter, 4-mm test socket hole	gray	
Test plug metal part, 2.3 mm Ø		
Insulating sleeve, for MPS metal part	red	
Modular test plug, for the individual assembly of test plug strips	red	
Screwdriver		
Lateral groove labeling		

Accessories ²⁾				
D-UTTBTB 2,5/4		3047293	50	
DP-UTTBTB 2,5/4		3047303	50	
FBS 2-5	24 A	3030161	50	
FBS 3-5	24 A	3030174	50	
FBS 4-5	24 A	3030187	50	
FBS 5-5	24 A	3030190	50	
FBS 10-5	24 A	3030213	10	
FBS 20-5	24 A	3030226	10	
FBS-PV UT		3047358	50	
ATP-UTTBTB 2,5/4		3047316	50	
PAI-4-N GY		3032871	10	
MPS-MT		0201744	10	
MPS-IH RD		0201676	10	
PS-5		3030983	10	
SF-SL 0,6X3,5-100 S-VDE		1212587	10	
Lateral groove labeling				
UC-TM 5, UCT-TM 5 or ZB 5 (see Catalog 5)				

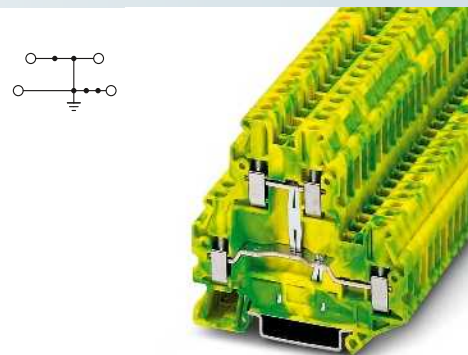
Accessories ²⁾				
D-UTTBTB 2,5/4		3047293	50	
DP-UTTBTB 2,5/4		3047303	50	
FBS 2-6	30 A	3030336	50	
FBS 3-6	30 A	3030242	50	
FBS 4-6	30 A	3030255	50	
FBS 5-6	30 A	3030349	50	
FBS 10-6	30 A	3030271	10	
FBS 20-6	30 A	3030365	10	
FBS-PV UT		3047358	50	
ATP-UTTBTB 2,5/4		3047316	50	
PAI-4-N GY		3032871	10	
MPS-MT		0201744	10	
MPS-IH RD		0201676	10	
PS-6		3030996	10	
SF-SL 0,6X3,5-100 S-VDE		1212587	10	
Lateral groove labeling				
UC-TM 6, UCT-TM 6 or ZB 6 (see Catalog 5)				



4 (6) mm², 36 A, 1000 V, double-level terminal block



2.5 (4) mm², double-level ground terminal block



4 (6) mm², double-level ground terminal block



Ex: KEMA 06ATEX0017 U / IECEx KEM 06.0013U



Ex: KEMA 06ATEX0017 U / IECEx KEM 06.0013U

Technical data			
Width	Length	Height NS 35/7,5	
6.2	75.6	65	
I_{max} [A]	U_{max} [V]	max. Ø [mm ²]	AWG
36	1000	0.14 - 6	26 - 10
IEC 60947-7-1			
IEC	UL/CUL	CSA	IEC/EN 60079-7
1000	-	-	-
30 / 4	- / -	-	-
4	-	-	-
26 - 10	-	-	-
solid	stranded	Ferrule	
		Without / with plastic sleeve	
0.14 - 6	0.14 - 6	0.14 - 4	0.14 - 4
0.14 - 1.5	0.14 - 1.5	0.14 - 1.5	-
			0.5 - 2.5
9	M3	0.6 - 0.8	PA
			V0

Technical data			
Width	Length	Height NS 35/7,5	
5.2	69.9	65	
I_{max} [A]	U_{max} [V]	max. Ø [mm ²]	AWG
		0.14 - 4	26 - 12
IEC 60947-7-2			
IEC	UL/CUL	CSA	IEC/EN 60079-7
-	-	-	-
-	- / -	-	-
2.5	-	-	2.5
26 - 12	26-12	26-12	26 - 12
solid	stranded	Ferrule	
		Without / with plastic sleeve	
0.14 - 4	0.14 - 4	0.14 - 2.5	0.14 - 2.5
0.14 - 1.5	0.14 - 1.5	0.14 - 1.5	-
			0.5 - 1.5
9	M3	0.5 - 0.6	PA
			V0

Technical data			
Width	Length	Height NS 35/7,5	
6.2	69.9	65	
I_{max} [A]	U_{max} [V]	max. Ø [mm ²]	AWG
		0.14 - 6	26 - 10
IEC 60947-7-2			
IEC	UL/CUL	CSA	IEC/EN 60079-7
-	-	-	-
-	- / -	-	-
4	-	-	4
26 - 10	26-10	26-10	26 - 10
solid	stranded	Ferrule	
		Without / with plastic sleeve	
0.14 - 6	0.14 - 6	0.14 - 4	0.14 - 4
0.14 - 1.5	0.14 - 1.5	0.14 - 1.5	-
			0.5 - 2.5
9	M3	0.6 - 0.8	PA
			V0

Ordering data			
Type	I_{max}	Order No.	Pcs. / Pkt.
UTT 4 HV		3000610	50

Ordering data			
Type		Order No.	Pcs. / Pkt.
UTT 2,5-PE		3044665	50

Ordering data			
Type		Order No.	Pcs. / Pkt.
UTT 4-PE		3044759	50

Accessories ²⁾			
D-UTT 4 HV		3000709	50
DP-UTT 2,5/4		3047303	50
FBS 2-6	30 A	3030336	50
FBS 3-6	30 A	3030242	50
FBS 4-6	30 A	3030255	50
FBS 5-6	30 A	3030349	50
FBS 10-6	30 A	3030271	10
FBS 20-6	30 A	3030365	10
FBS-PV UT		3047358	50
ATP-UTT 2,5/4		3047316	50
PS-6		3030996	10
SF-SL 0,6X3,5-100 S-VDE		1212587	10

Accessories ²⁾			
D-UTT 2,5/4		3047293	50
DP-UTT 2,5/4		3047303	50
FBS 2-5		3030161	50
FBS 3-5		3030174	50
FBS 4-5		3030187	50
FBS 5-5		3030190	50
FBS 10-5		3030213	10
FBS 20-5		3030226	10
ATP-UTT 2,5/4		3047316	50
PAI-4-N GY		3032871	10
MPS-MT		0201744	10
MPS-IH RD		0201676	10
PS-5		3030983	10
SF-SL 0,6X3,5-100 S-VDE		1212587	10

Accessories ²⁾			
D-UTT 2,5/4		3047293	50
DP-UTT 2,5/4		3047303	50
FBS 2-6		3030336	50
FBS 3-6		3030242	50
FBS 4-6		3030255	50
FBS 5-6		3030349	50
FBS 10-6		3030271	10
FBS 20-6		3030365	10
ATP-UTT 2,5/4		3047316	50
PAI-4-N GY		3032871	10
MPS-MT		0201744	10
MPS-IH RD		0201676	10
PS-6		3030996	10
SF-SL 0,6X3,5-100 S-VDE		1212587	10

UC-TM 6, UCT-TM 6 or ZB 6 (see Catalog 5)

UC-TM 5, UCT-TM 5 or ZB 5 (see Catalog 5)

UC-TM 6, UCT-TM 6 or ZB 6 (see Catalog 5)

Modular terminal blocks - CLIPLINE complete

UT screw connection terminal blocks

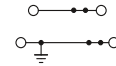
UTTB ... double-level terminal blocks

- The types ...PE/L and ...PE/N provide ground conductor connection with the DIN rail in the lower level
- The upper level is designed as a feed-through level
- Clear and unambiguous potential distribution due to color coding of the housing surfaces.

Offset levels

- Offset levels provide:
 - Unobstructed access to the lower connection level if fully wired
 - Better view of the lower labeling signs and conductor entry funnel

Notes:
For current carrying capacity of DIN rails, see page 716.



2.5 (4) mm², 28 A, double-level ground terminal block



Dimensions		
		[mm]
Max. electrical data		
Rated data		
Rated voltage		[V]
Nominal current / cross section		[A] / [mm ²]
Rated cross section		[mm ²]
Cross section range		AWG
Connection capacity		
1 conductor		[mm ²]
Two conductors (of the same type)		[mm ²]
Two stranded conductors with a TWIN ferrule		[mm ²]
General data		
Stripping length		[mm]
Screw thread		
Tightening torque		[Nm]
Insulating material		
Inflammability class according to UL 94		

Technical data				
Width	Length	Height NS 35/7,5		
5.2	69.9	65		
I _{max} [A]	U _{max} [V]	max. Ø [mm ²]	AWG	
28	500	0.14 - 4	26 - 12	
IEC 60947-7-1 / IEC 60947-7-2		CSA	IEC/EN 60079-7	
IEC	UL/CUL			
Rated voltage	300	600	-	
Nominal current / cross section	24 / 2.5	20 / -	20 / -	
Rated cross section	2.5	-	-	
Cross section range	26 - 12	26-12	26-12	
Connection capacity		solid	stranded	Ferrule
		Without / with plastic sleeve		
1 conductor	0.14 - 4	0.14 - 4	0.14 - 2.5	0.14 - 2.5
Two conductors (of the same type)	0.14 - 1.5	0.14 - 1.5	0.14 - 1.5	-
Two stranded conductors with a TWIN ferrule				0.5 - 1.5
Stripping length	9			
Screw thread	M3			
Tightening torque	0.5 - 0.6			
Insulating material	PA			
Inflammability class according to UL 94	V0			

Description	No. of pos.	Color
Terminal block, for mounting on NS 35...		gray

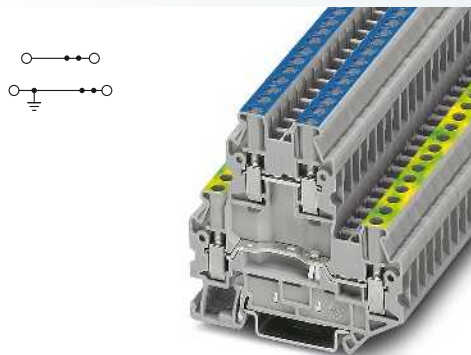
Ordering data			
Type	I _{max}	Order No.	Pcs. / Pkt.
UTTB 2,5-PE/L		3044678	50

Cover, width 2.2 mm		gray
Spacer plate, compensates for level offsets, width 2.5 mm		gray
Plug-in bridge		
	2	red
	3	red
	4	red
	5	red
	10	red
	20	red
Partition plate, 2.2 mm wide		gray
Test adapter, 4-mm test socket hole		gray
Test plug metal part, 2.3 mm Ø		
Insulating sleeve, for MPS metal part		red
Modular test plug, for the individual assembly of test plug strips		red
Screwdriver		
Lateral groove labeling		

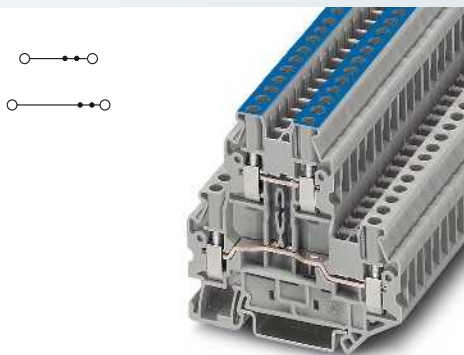
Accessories			
Type	I _{max}	Order No.	Pcs. / Pkt.
D-UTT 2,5/4		3047293	50
DP-UTT 2,5/4		3047303	50
FBS 2-5	24 A	3030161	50
FBS 3-5	24 A	3030174	50
FBS 4-5	24 A	3030187	50
FBS 5-5	24 A	3030190	50
FBS 10-5	24 A	3030213	10
FBS 20-5	24 A	3030226	10
ATP-UTT 2,5/4		3047316	50
PAI-4-N GY		3032871	10
MPS-MT		0201744	10
MPS-IH RD		0201676	10
PS-5		3030983	10
SF-SL 0,6X3,5-100 S-VDE		1212587	10

UC-TM 5, UCT-TM 5 or ZB 5 (see Catalog 5)





2.5 (4) mm², 28 A, double-level ground terminal block



2.5 (4) mm², 28 A, double-level terminal block



Technical data			
Width	Length	Height NS 35/7,5	
5.2	69.9	65	
I_{max} [A]	U_{max} [V]	max. Ø [mm ²]	AWG
28	500	0.14 - 4	26 - 12
IEC 60947-7-1 / IEC 60947-7-2			
IEC	UL/CUL	CSA	IEC/EN 60079-7
500	300	600	-
24 / 2.5	20 / -	20 / -	-
2.5	-	-	-
26 - 12	26-12	26-12	-
solid	stranded	Ferrule	
Without / with plastic sleeve			
0.14 - 4	0.14 - 4	0.14 - 2.5	0.14 - 2.5
0.14 - 1.5	0.14 - 1.5	0.14 - 1.5	-
0.5 - 1.5			

Technical data			
Width	Length	Height NS 35/7,5	
5.2	69.9	65	
I_{max} [A]	U_{max} [V]	max. Ø [mm ²]	AWG
28	500	0.14 - 4	26 - 12
IEC 60947-7-1			
IEC	UL/CUL	CSA	IEC/EN 60079-7
500	600	600	-
24 / 2.5	20 / -	20 / -	-
2.5	-	-	-
26 - 12	26-12	26-12	-
solid	stranded	Ferrule	
Without / with plastic sleeve			
0.14 - 4	0.14 - 4	0.14 - 2.5	0.14 - 2.5
0.14 - 1.5	0.14 - 1.5	0.14 - 1.5	-
0.5 - 1.5			

9
M3
0.5 - 0.6
PA
V0

9
M3
0.5 - 0.6
PA
V0

Ordering data			
Type	I_{max}	Order No.	Pcs. / Pkt.
UTTB 2,5-PE/N		3046731	50

Ordering data			
Type	I_{max}	Order No.	Pcs. / Pkt.
UTTB 2,5-L/N		3044681	50

Accessories			
D-UTTB 2,5/4		3047293	50
DP-UTTB 2,5/4		3047303	50
FBS 2-5	24 A	3030161	50
FBS 3-5	24 A	3030174	50
FBS 4-5	24 A	3030187	50
FBS 5-5	24 A	3030190	50
FBS 10-5	24 A	3030213	10
FBS 20-5	24 A	3030226	10
ATP-UTTB 2,5/4		3047316	50
PAI-4-N GY		3032871	10
MPS-MT		0201744	10
MPS-IH RD		0201676	10
PS-5		3030983	10
SF-SL 0,6X3,5-100 S-VDE		1212587	10

Accessories			
D-UTTB 2,5/4		3047293	50
DP-UTTB 2,5/4		3047303	50
FBS 2-5	24 A	3030161	50
FBS 3-5	24 A	3030174	50
FBS 4-5	24 A	3030187	50
FBS 5-5	24 A	3030190	50
FBS 10-5	24 A	3030213	10
FBS 20-5	24 A	3030226	10
ATP-UTTB 2,5/4		3047316	50
PAI-4-N GY		3032871	10
MPS-MT		0201744	10
MPS-IH RD		0201676	10
PS-5		3030983	10
SF-SL 0,6X3,5-100 S-VDE		1212587	10

UC-TM 5, UCT-TM 5 or ZB 5
(see Catalog 5)

UC-TM 5, UCT-TM 5 or ZB 5
(see Catalog 5)

Modular terminal blocks - CLIPLINE complete

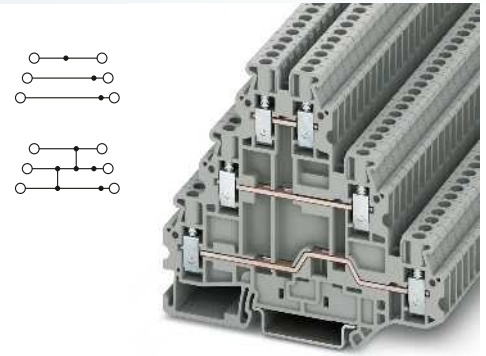
UT screw connection terminal blocks

UT 2,5 ... three-level terminal blocks

- A very high wiring density is achieved with the compact three-level terminal blocks
- Since function shafts are provided on each level, all potential distribution work can be implemented at speed
- Each terminal point can be given a large label for ease of recognition
- The ...PE/L/L and ...PE/L/N types offer clear and unambiguous assignment through the use of color coding of the housing surfaces

CLIP PROJECT Planning enables the quick and convenient planning and configuration of fault-free terminal strips.

Notes:
For current carrying capacity of DIN rails, see page 716.
1) The total current of all connected conductors must not exceed the max. load current.



2.5 (4) mm², 24 A, three-level terminal block



Dimensions	
	[mm]
Max. electrical data	
Rated data	
Rated voltage	[V]
Nominal current / cross section	[A] / [mm ²]
Rated cross section	[mm ²]
Cross section range	AWG
Connection capacity	
1 conductor	[mm ²]
Two conductors (of the same type)	[mm ²]
Two stranded conductors with a TWIN ferrule	[mm ²]
General data	
Stripping length	[mm]
Screw thread	
Tightening torque	[Nm]
Insulating material	
Inflammability class according to UL 94	

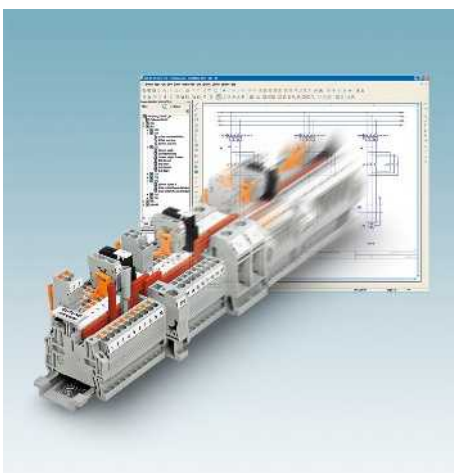
Technical data				
Width	Length	Height NS 35/7,5		
5.2	90	77.5		
I _{max} [A]	U _{max} [V]	max. Ø [mm ²]	AWG	
24	500	0.14 - 4	26 - 12	
IEC 60947-7-1				
IEC	UL/CUL	CSA	IEC/EN 60079-7	
500	600	600	-	
19 / 2.5	20 / -	20	-	
2.5	-	-	-	
26 - 12	26-12	26-12	-	
solid		stranded		Ferrule
		Without / with plastic sleeve		
0.14 - 4	0.14 - 4	0.14 - 2.5	0.14 - 2.5	
0.14 - 1.5	0.14 - 1.5	0.14 - 1.5	-	
		0.5 - 1		
9				
M3				
0.5 - 0.6				
PA				
V0				

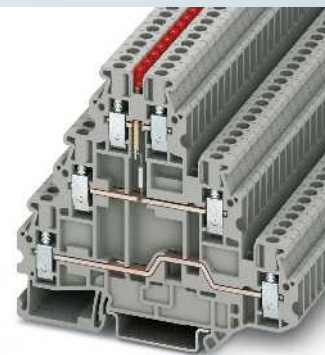
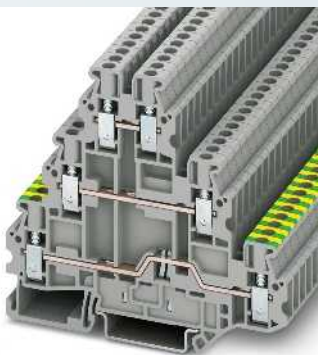
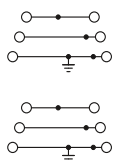
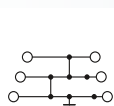
Description	No. of pos.	Color
Terminal block, for mounting on NS 35...		gray
Terminal block, with equipotential bonder, for mounting on NS 35... ¹⁾		gray
Ground terminal block, for mounting on NS 35...		green/yellow
Terminal block, for mounting on NS 35...		gray
Terminal block, with LED for 12-30 V DC, 0.7-2.4 mA		gray

Ordering data			
Type	I _{max}	Order No.	Pcs. / Pkt.
UT 2,5-3L		3214259	50
UT 2,5-3PV		3214262	50

Cover, width 2.2 mm		gray
Plug-in bridge		
	2	red
	3	red
	4	red
	5	red
	10	red
	20	red
Partition plate, 2 mm wide		gray
Test adapter, 4-mm test socket hole		gray
Test plug metal part, 2.3 mm Ø		
Insulating sleeve, for MPS metal part		red
Modular test plug, for the individual assembly of test plug strips		red
Screwdriver		
Lateral groove labeling		

Accessories			
D-UT 2,5-3L		3214314	50
FBS 2-5	30 A	3030161	50
FBS 3-5	30 A	3030174	50
FBS 4-5	30 A	3030187	50
FBS 5-5	30 A	3030190	50
FBS 10-5	30 A	3030213	10
FBS 20-5	30 A	3030226	10
TP-UK		3003046	10
PAI-4-N GY		3032871	10
MPS-MT		0201744	10
MPS-IH RD		0201676	10
PS-5		3030983	10
SF-SL 0,6X3,5-100 S-VDE		1212587	10
UC-TM 5, UCT-TM 5 or ZB 5 (see Catalog 5)			





2.5 (4) mm², three-level ground terminal block

2.5 (4) mm², 24 A, three-level terminal block with PE foot

2.5 (4) mm², 24 A, three-level terminal block with LED



Technical data			
Width	Length	Height NS 35/7,5	
5.2	90	77.5	
		max. Ø [mm ²]	AWG
		0.14 - 4	26 - 12
IEC 60947-7-2			
IEC	UL/CUL	CSA	IEC/EN 60079-7
-	-	-	-
-	-/-	-	-
2.5	-	-	-
26 - 12	26-12	26-12	-
solid	stranded	Ferrule	
		Without / with plastic sleeve	
0.14 - 4	0.14 - 4	0.14 - 2.5	0.14 - 2.5
0.14 - 1.5	0.14 - 1.5	0.14 - 1.5	-
			0.5 - 1.5
9	M3	0.5 - 0.6	PA
			V0

Technical data			
Width	Length	Height NS 35/7,5	
5.2	90	77.5	
I _{max} [A]	U _{max} [V]	max. Ø [mm ²]	AWG
24	500	0.14 - 4	26 - 12
IEC 60947-7-1 / IEC 60947-7-2			
IEC	UL/CUL	CSA	IEC/EN 60079-7
500	600	600	-
19 / 2.5	20 / -	20	-
2.5	-	-	-
26 - 12	26-12	26-12	-
solid	stranded	Ferrule	
		Without / with plastic sleeve	
0.14 - 4	0.14 - 4	0.14 - 2.5	0.14 - 2.5
0.14 - 1.5	0.14 - 1.5	0.14 - 1.5	-
			0.5 - 1.5
9	M3	0.5 - 0.6	PA
			V0

Technical data			
Width	Length	Height NS 35/7,5	
5.2	90	77.5	
I _{max} [A]	U _{max} [V]	max. Ø [mm ²]	AWG
24	24	0.14 - 4	26 - 12
IEC			
IEC	UL/CUL	CSA	IEC/EN 60079-7
24	600	24	-
19 / 2.5	20 / -	20	-
2.5	-	-	-
26 - 12	26-12	26-12	-
solid	stranded	Ferrule	
		Without / with plastic sleeve	
0.14 - 4	0.14 - 4	0.14 - 2.5	0.14 - 2.5
0.14 - 1.5	0.14 - 1.5	0.14 - 1.5	-
			0.5 - 1.5
9	M3	0.5 - 0.6	PA
			V0

Ordering data		
Type	Order No.	Pcs. / Pkt.
UT 2,5-3PE	3214275	50

Ordering data			
Type	I _{max}	Order No.	Pcs. / Pkt.
UT 2,5-PE/L/L		3214301	50
UT 2,5-PE/L/N		3214291	50

Ordering data			
Type	I _{max}	Order No.	Pcs. / Pkt.
UT 2,5-3L-LA24RD/O-M		3214288	50

Accessories		
D-UT 2,5-3L	3214314	50
FBS 2-5	3030161	50
FBS 3-5	3030174	50
FBS 4-5	3030187	50
FBS 5-5	3030190	50
FBS 10-5	3030213	10
FBS 20-5	3030226	10
TP-UK	3003046	10
PAI-4-N GY	3032871	10
MPS-MT	0201744	10
MPS-IH RD	0201676	10
PS-5	3030983	10
SF-SL 0,6X3,5-100 S-VDE	1212587	10

Accessories			
D-UT 2,5-3L	3214314	50	
FBS 2-5	30 A	3030161	50
FBS 3-5	30 A	3030174	50
FBS 4-5	30 A	3030187	50
FBS 5-5	30 A	3030190	50
FBS 10-5	30 A	3030213	10
FBS 20-5	30 A	3030226	10
TP-UK		3003046	10
PAI-4-N GY		3032871	10
MPS-MT		0201744	10
MPS-IH RD		0201676	10
PS-5		3030983	10
SF-SL 0,6X3,5-100 S-VDE		1212587	10

Accessories			
D-UT 2,5-3L	3214314	50	
FBS 2-5	30 A	3030161	50
FBS 3-5	30 A	3030174	50
FBS 4-5	30 A	3030187	50
FBS 5-5	30 A	3030190	50
FBS 10-5	30 A	3030213	10
FBS 20-5	30 A	3030226	10
TP-UK		3003046	10
PAI-4-N GY		3032871	10
MPS-MT		0201744	10
MPS-IH RD		0201676	10
PS-5		3030983	10
SF-SL 0,6X3,5-100 S-VDE		1212587	10

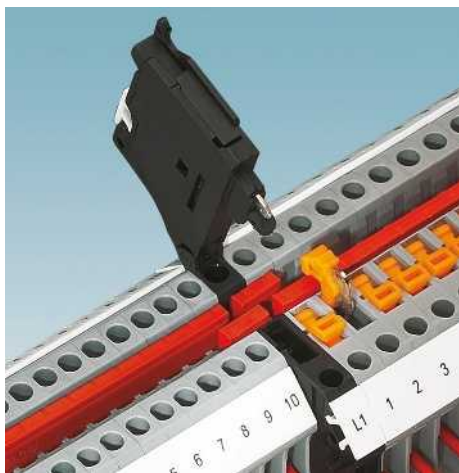
UC-TM 5, UCT-TM 5 or ZB 5
(see Catalog 5)

UC-TM 5, UCT-TM 5 or ZB 5
(see Catalog 5)

UC-TM 5, UCT-TM 5 or ZB 5
(see Catalog 5)

UT screw connection terminal blocks

UT ...-HESI/HEDI lever-type fuse and disconnect terminal blocks



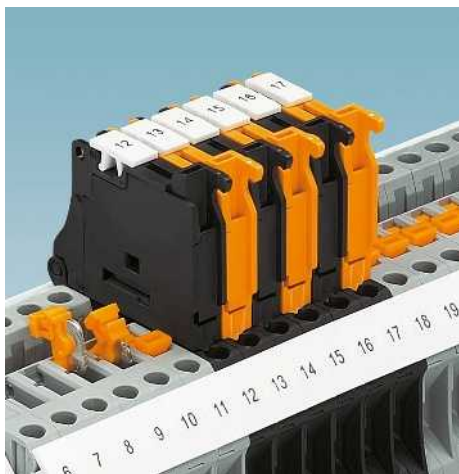
The lever-type fuse terminal blocks are characterized by:

- An extremely compact design
- Two function shafts mean that all potential distribution tasks can be undertaken at speed
- UT 4-MTD feed-through terminal blocks and UT 4-TG / -MT function terminal blocks of the same shape are available
- Test connection on both sides in safety lever
- The UT 4-HESI/LED 24 (5x20)120KOHM version, with a maximum LED leakage current of 0.49 mA, was developed especially for safety-related controllers

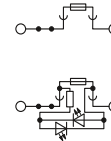
UT 4-HEDI lever-type disconnect terminal blocks

The lever-type disconnect terminal blocks have the same shape and pitch as the 5 x 20 mm lever-type fuse terminal blocks and allow for:

- A design to suit their function
- Continuous labeling of terminal points
- The dual function shaft allows two potentials running in parallel to be jumped separately
- Time-saving way of setting up potential in-feed



Notes:
1) If the fuse is faulty, the downstream circuit is not off load.
2) For max. power dissipation, see page 724.
3) The current is determined by the fuse used, the voltage by the light indicator.
4) The reducing bridge table should be followed, see page 476.



4 (6) mm², 6.3 A, lever-type fuse terminal block for 5 x 20 mm cartridge fuses



Dimensions		[mm]	
Max. electrical data			
Rated data			
Rated voltage	[V]	500 ³⁾	600
Nominal current / cross section	[A] / [mm ²]	6.3 / 1	6.3 / -
Rated cross section	[mm ²]	4	-
Cross section range	AWG	26 - 10	26-10
Connection capacity			
1 conductor	[mm ²]	0.14 - 6	0.14 - 6
Two conductors (of the same type)	[mm ²]	0.14 - 1.5	0.14 - 1.5
Two stranded conductors with a TWIN ferrule	[mm ²]		
General data			
Stripping length	[mm]	9	
Screw thread		M3	
Tightening torque	[Nm]	0.6 - 0.8	
Insulating material		PA	
Inflammability class according to UL 94		V0	

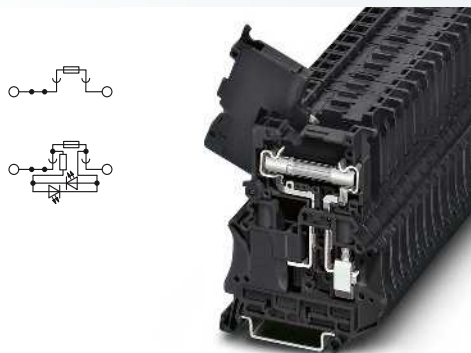
Technical data			
Width	Length	Height NS 35/7,5	
6.2	57.8	73	
I _{max} [A]	U _{max} [V]	max. Ø [mm ²]	AWG
6.3 ²⁾	500 ³⁾	0.14 - 6	26 - 10
IEC 60947-7-3			
IEC	UL/CUL	CSA	IEC/EN 60079-7
500 ³⁾	600	600	-
6.3 / 1	6.3 / -	6.3 / -	-
4	-	-	-
26 - 10	26-10	26-10	-
solid		stranded	
		Ferrule	
		Without / with plastic sleeve	
0.14 - 6	0.14 - 6	0.14 - 4	0.14 - 4
0.14 - 1.5	0.14 - 1.5	0.14 - 1.5	-
		0.5 - 2.5	

Description	No. of pos.	Color
Fuse terminal block , for mounting on NS 35..., for cartridge fuse inserts 5 x 20 mm.		black
With LED for 12-30 V AC/DC, 0.31-0.95 mA ¹⁾		black
With LED for 12-60 V AC/DC, 0.08-0.49 mA ¹⁾		black
For 30-60 V AC/DC, 0.40-0.86 mA ¹⁾		black
For 110-250 V AC/DC, 0.41-0.96 mA ¹⁾		black
Fuse terminal block , for mounting on NS 35..., for cartridge fuse inserts 6.3 x 32 mm		black
With LED for 12-30 V AC/DC, 0.31-0.95 mA ¹⁾		black
For 30-60 V AC/DC, 0.40-0.86 mA ¹⁾		black
For 110-250 V AC/DC, 0.41-0.96 mA ¹⁾		black
Disconnect terminal block , for mounting on NS 35...		black/orange
With test socket screws		black/orange

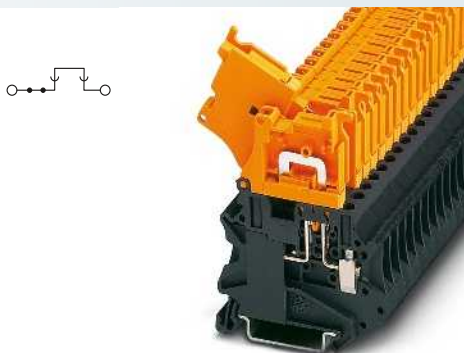
Ordering data			
Type	I _{max}	Order No.	Pcs. / Pkt.
UT 4-HESI (5X20)		3046032	50
UT 4-HESI/LED 24 (5X20)		3046090	50
UT 4-HESI/LED 24 (5X20) 120KOHM		3248005	50
UT 4-HESI/LED 60 (5X20)		3046126	50
UT 4-HESILA 250 (5X20)		3046100	50

Plug-in bridge	2	red
	3	red
	4	red
	5	red
	10	red
	20	red
Reducing bridge⁴⁾		
	2	red
Screwdriver		
		2
Lever labeling		
Lateral groove labeling		

Accessories			
FBS 2-6	32 A	3030336	50
FBS 3-6	32 A	3030242	50
FBS 4-6	32 A	3030255	50
FBS 5-6	32 A	3030349	50
FBS 10-6	32 A	3030271	10
FBS 20-6	32 A	3030365	10
SF-SL 0,6X3,5-100 S-VDE		1212587	10
UC-TM 5, UCT-TM 5 or ZB 5 (see Catalog 5)			
UC-TM 6, UCT-TM 6 or ZB 6 (see Catalog 5)			



6 (10) mm², 10 A, lever-type fuse terminal block for 6.3 x 32 mm cartridge fuses



4 (6) mm², 20 A, lever-type disconnect terminal block, same shape



4 (6) mm², 20 A, lever-type disconnect terminal block, same shape, with test socket screw



Technical data			
Width	Length	Height NS 35/7,5	
8.2	57.8	73	
I_{max} [A]	U_{max} [V]	max. Ø [mm ²]	AWG
10 ²)	630 ²)	0.2 - 10	24 - 8
IEC 60947-7-3			
IEC	UL/CUL	CSA	IEC/EN 60079-7
630 ²)	600	600	-
10 ²) / 1.5	16 / -	10 / -	-
6	-	-	-
24 - 8	24-8	24-8	-
solid	stranded	Ferrule	
		Without / with plastic sleeve	
0.2 - 10	0.2 - 10	0.25 - 6	0.25 - 6
0.2 - 2.5	0.2 - 2.5	0.25 - 1.5	-
		0.5 - 4	
10			
M4			
1.5 - 1.8			
PA			
V0			

Technical data			
Width	Length	Height NS 35/7,5	
6.2	57.8	73	
I_{max} [A]	U_{max} [V]	max. Ø [mm ²]	AWG
20	500	0.14 - 6	26 - 10
IEC 60947-7-1			
IEC	UL/CUL	CSA	IEC/EN 60079-7
500	600	600	-
20 / 2.5	16 / -	16 / -	-
4	-	-	-
26 - 10	26-10	26-10	-
solid	stranded	Ferrule	
		Without / with plastic sleeve	
0.14 - 6	0.14 - 6	0.14 - 4	0.14 - 4
0.14 - 1.5	0.14 - 1.5	0.14 - 1.5	-
		0.5 - 2.5	
9			
M3			
0.6 - 0.8			
PA			
V0			

Technical data			
Width	Length	Height NS 35/7,5	
6.2	57.8	73	
I_{max} [A]	U_{max} [V]	max. Ø [mm ²]	AWG
20	500	0.14 - 6	26 - 10
IEC 60947-7-1			
IEC	UL/CUL	CSA	IEC/EN 60079-7
500	600	300	-
20 / 2.5	16 / -	16 / -	-
4	-	-	-
26 - 10	26-10	26-10	-
solid	stranded	Ferrule	
		Without / with plastic sleeve	
0.14 - 6	0.14 - 6	0.14 - 4	0.14 - 4
0.14 - 1.5	0.14 - 1.5	0.14 - 1.5	-
		0.5 - 2.5	
9			
M3			
0.6 - 0.8			
PA			
V0			

Ordering data			
Type	I_{max}	Order No.	Pcs. / Pkt.
UT 6-HESI (6,3X32)		3046401	50
UT 6-HESILED 24 (6,3X32)		3046414	50
UT 6-HESILED 60 (6,3X32)		3046427	50
UT 6-HESILA 250 (6,3X32)		3046430	50

Ordering data			
Type	I_{max}	Order No.	Pcs. / Pkt.
UT 4-HEDI		3046249	50

Ordering data			
Type	I_{max}	Order No.	Pcs. / Pkt.
UT 4-HEDI-P/P		3046252	50

Accessories			
FBS 2-8	41 A	3030284	10
FBS 3-8	41 A	3030297	10
FBS 4-8	41 A	3030307	10
FBS 5-8	41 A	3030310	10
FBS 10-8	41 A	3030323	10
RB UT 6-(2,5/4)		3047251	10
SZS 1,0X4,0 VDE		1205066	10

Accessories			
FBS 2-6	32 A	3030336	50
FBS 3-6	32 A	3030242	50
FBS 4-6	32 A	3030255	50
FBS 5-6	32 A	3030349	50
FBS 10-6	32 A	3030271	10
FBS 20-6	32 A	3030365	10
SF-SL 0,6X3,5-100 S-VDE		1212587	10

Accessories			
FBS 2-6	32 A	3030336	50
FBS 3-6	32 A	3030242	50
FBS 4-6	32 A	3030255	50
FBS 5-6	32 A	3030349	50
FBS 10-6	32 A	3030271	10
FBS 20-6	32 A	3030365	10
SZG 0,6X3,5 VDE		1205121	10

UC-TM 6, UCT-TM 6 or ZB 6
(see Catalog 5)
UC-TM 8, UCT-TM 8 or ZB 8
(see Catalog 5)

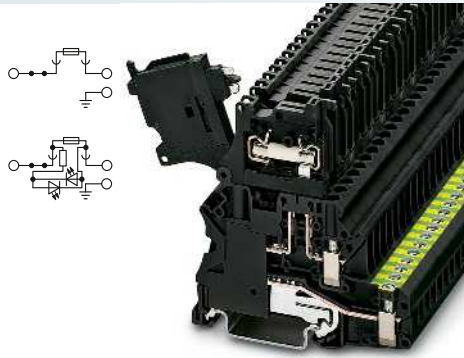
UC-TM 5, UCT-TM 5 or ZB 5
(see Catalog 5)
UC-TM 6, UCT-TM 6 or ZB 6
(see Catalog 5)

UC-TM 5, UCT-TM 5 or ZB 5
(see Catalog 5)
UC-TM 6, UCT-TM 6 or ZB 6
(see Catalog 5)

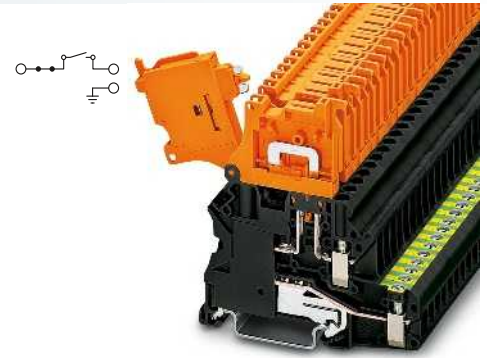
UT screw connection terminal blocks

UT 4-PE...HESI/-TG/-MT lever-type fuse and function terminal blocks with PE foot

Notes:
For current carrying capacity of DIN rails, see page 716.
For more plug-in bridges, see page 472..
1) The max. current is determined by the diode. Integrated: diode 1N 4007, reverse voltage: 1300 V, maximum continuous current: 0.5 A
2) If the fuse is faulty, the downstream circuit is not off load.
3) Observe max. load current.
4) Observe max. load current, depending on the power dissipation of the components. Max. 0.5 W with single arrangement.
5) For max. power dissipation, see page 724.
6) The current is determined by the fuse used, the voltage by the light indicator.



4 (6) mm², 6.3 A, lever-type fuse terminal block for 5 x 20 mm cartridge fuses, with PE foot



4 (6) mm², 20 A, lever-type disconnect terminal block, same shape, with PE foot



Technical data				
Width	Length	Height NS 35/7,5		
6.2	70.8	73		
I _{max} [A]	U _{max} [V]	max. Ø [mm ²]	AWG	
6.3 ²⁾	500 ⁶⁾	0.14 - 6	26 - 10	
IEC 60947-7-2 / IEC 60947-7-3				
IEC	UL/CUL	CSA	IEC/EN 60079-7	
Rated voltage [V]	500 ⁶⁾	600	-	-
Nominal current / cross section [A] / [mm ²]	6.3 / 1	10 / -	-	-
Rated cross section [mm ²]	4	-	-	-
Cross section range AWG	26 - 10	26-10	-	-
Connection capacity				
	solid	stranded	Ferrule Without / with plastic sleeve	
1 conductor [mm ²]	0.14 - 6	0.14 - 6	0.14 - 4	0.14 - 4
Two conductors (of the same type) [mm ²]	0.14 - 1.5	0.14 - 1.5	0.14 - 1.5	-
Two stranded conductors with a TWIN ferrule [mm ²]				0.5 - 1.5
General data				
Stripping length [mm]	9			
Screw thread	M3			
Tightening torque [Nm]	0.6 - 0.8			
Insulating material	PA			
Inflammability class according to UL 94	V0			



Technical data				
Width	Length	Height NS 35/7,5		
6.2	70.8	73		
I _{max} [A]	U _{max} [V]	max. Ø [mm ²]	AWG	
20	500	0.14 - 6	26 - 10	
IEC 60947-7-1 / IEC 60947-7-2				
IEC	UL/CUL	CSA	IEC/EN 60079-7	
Rated voltage [V]	500	600	-	-
Nominal current / cross section [A] / [mm ²]	20 / 2.5	16 / -	-	-
Rated cross section [mm ²]	4	-	-	-
Cross section range AWG	26 - 10	26-10	-	-
Connection capacity				
	solid	stranded	Ferrule Without / with plastic sleeve	
1 conductor [mm ²]	0.14 - 6	0.14 - 6	0.14 - 4	0.14 - 4
Two conductors (of the same type) [mm ²]	0.14 - 1.5	0.14 - 1.5	0.14 - 1.5	-
Two stranded conductors with a TWIN ferrule [mm ²]				0.5 - 1.5
General data				
Stripping length [mm]	9			
Screw thread	M3			
Tightening torque [Nm]	0.6 - 0.8			
Insulating material	PA			
Inflammability class according to UL 94	V0			

Ordering data						
Description	No. of pos.	Color	Type	I _{max}	Order No.	Pcs. / Pkt.
Fuse terminal block , for mounting on NS 35..., for cartridge fuse inserts 5 x 20 mm.		black	UT 4-PE/HESI (5X20)		3073995	50
With LED for 12-30 V AC/DC, 0.31-0.95 mA ²⁾		black	UT 4-PE/HESI LED 24 (5X20)		3070053	50
For 30-60 V AC/DC, 0.40-0.86 mA ²⁾		black	UT 4-PE/HESI LED 60 (5X20)		3070066	50
For 110-250 V AC/DC, 0.41-0.96 mA ²⁾		black	UT 4-PE/HESI LA 250 (5X20)		3070079	50
Disconnect terminal block , for mounting on NS 35...		black/orange				
Disconnect terminal block , for mounting on NS 35...		gray				
With test socket screws		gray				
Knife disconnect terminal block , for mounting on NS 35...		gray				
With test socket screws		gray				
Terminal block , with integrated diode, conducting from left to right		gray				
Terminal block , with integrated diode, conducting from right to left		gray				

Ordering data						
Description	No. of pos.	Color	Type	I _{max}	Order No.	Pcs. / Pkt.
Disconnect terminal block , for mounting on NS 35...		black/orange	UT 4-PE/HEDI		3074004	50

Accessories					
FBS 2-6	32 A	3030336	50		
FBS 20-6	32 A	3030365	10		
SF-SL 0,6X3,5-100 S-VDE		1212587	10		

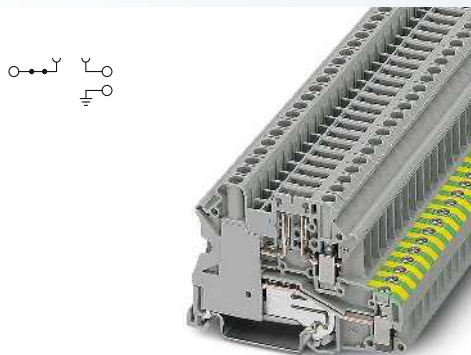
Accessories					
FBS 2-6	32 A	3030336	50		
FBS 20-6	32 A	3030365	10		
SF-SL 0,6X3,5-100 S-VDE		1212587	10		

Lever labeling	
Lateral groove labeling	

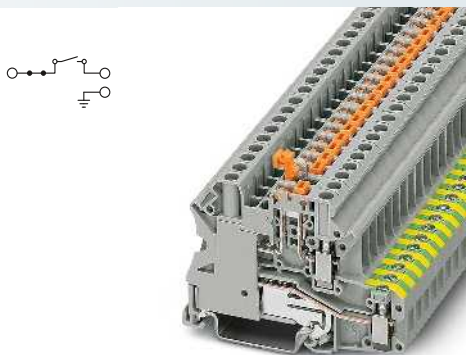
UC-TM 5, UCT-TM 5 or ZB 5 (see Catalog 5)
UC-TM 6, UCT-TM 6 or ZB 6 (see Catalog 5)

UC-TM 5, UCT-TM 5 or ZB 5 (see Catalog 5)
UC-TM 6, UCT-TM 6 or ZB 6 (see Catalog 5)

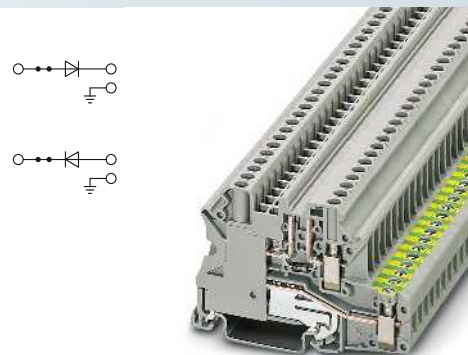
UT screw connection terminal blocks



4 (6) mm², 20 A, disconnect terminal block with PE foot



4 (6) mm², 20 A, knife disconnect terminal block with PE foot



4 (6) mm², diode terminal block, with PE foot, test socket screw

Technical data			
Width	Length	Height NS 35/7,5	
6.2	70.8	47.5	
I_{max} [A]	U_{max} [V]	max. Ø [mm ²]	AWG
20	500	0.14 - 6	26 - 10
IEC 60947-7-1 / IEC 60947-7-2			
IEC	UL/CUL	CSA	IEC/EN 60079-7
500	-	-	-
20 / 2.5	- / -	-	-
4	-	-	-
26 - 10	-	-	-
solid	stranded	Ferrule Without / with plastic sleeve	
0.14 - 6	0.14 - 6	0.14 - 4	0.14 - 4
0.14 - 1.5	0.14 - 1.5	0.14 - 1.5	-
			0.5 - 1.5
9			
M3			
0.6 - 0.8			
PA			
V0			

Technical data			
Width	Length	Height NS 35/7,5	
6.2	70.8	49.1	
I_{max} [A]	U_{max} [V]	max. Ø [mm ²]	AWG
20	500	0.14 - 6	26 - 10
IEC 60947-7-1 / IEC 60947-7-2			
IEC	UL/CUL	CSA	IEC/EN 60079-7
500	-	-	-
20 / 2.5	- / -	-	-
4	-	-	-
26 - 10	-	-	-
solid	stranded	Ferrule Without / with plastic sleeve	
0.14 - 6	0.14 - 6	0.14 - 4	0.14 - 4
0.14 - 1.5	0.14 - 1.5	0.25 - 1.5	-
			0.5 - 2.5
9			
M3			
0.6 - 0.8			
PA			
V0			

Technical data			
Width	Length	Height NS 35/7,5	
6.2	70.8	47.5	
I_{max} [A]	U_{max} [V]	max. Ø [mm ²]	AWG
20	500	0.14 - 6	26 - 10
IEC			
UL/CUL	CSA	IEC/EN 60079-7	
500	300	-	-
0.5 ¹⁾ / 1	0.5 / -	-	-
4	-	-	-
26 - 10	26-10	-	-
solid	stranded	Ferrule Without / with plastic sleeve	
0.14 - 6	0.14 - 6	0.14 - 4	0.14 - 4
0.14 - 1.5	0.14 - 1.5	0.14 - 1.5	-
			0.5 - 2.5
9			
M3			
0.6 - 0.8			
PA			
V0			

Ordering data			
Type	I_{max}	Order No.	Pcs. / Pkt.
UT 4-PE/TG		3070024	50
UT 4-PE/TG P/P		3070037	50

Ordering data			
Type	I_{max}	Order No.	Pcs. / Pkt.
UT 4-PE/MT		3070011	50
UT 4-PE/MT P/P		3046140	50

Ordering data			
Type	I_{max}	Order No.	Pcs. / Pkt.
UT 4-PE/L-DIO/L-R P/P		3046834	50
UT 4-PE/L-DIO/R-L P/P		3046235	50

Accessories			
Type	I_{max}	Order No.	Pcs. / Pkt.
FBS 2-6	32 A	3030336	50
FBS 20-6	32 A	3030365	10
MPS-MT		0201744	10
MPS-IH RD		0201676	10
P-DI		3036783	50
P-FIX		3038956	50
P-CO		3036796	10
P-FU 5X20		3036806	10
WS UT 4		3047332	10
SF-SL 0,6X3,5-100 S-VDE		1212587	10

Accessories			
Type	I_{max}	Order No.	Pcs. / Pkt.
FBS 2-6	32 A	3030336	50
FBS 20-6	32 A	3030365	10
MPS-MT		0201744	10
MPS-IH RD		0201676	10
WS UT 4		3047332	10
SF-SL 0,6X3,5-100 S-VDE		1212587	10

Accessories			
Type	I_{max}	Order No.	Pcs. / Pkt.
FBS 2-6	32 A	3030336	50
FBS 20-6	32 A	3030365	10
MPS-MT		0201744	10
MPS-IH RD		0201676	10
WS UT 4		3047332	10
SF-SL 0,6X3,5-100 S-VDE		1212587	10

UC-TM 6, UCT-TM 6 or ZB 6
(see Catalog 5)

UC-TM 6, UCT-TM 6 or ZB 6
(see Catalog 5)

UC-TM 6, UCT-TM 6 or ZB 6
(see Catalog 5)

Modular terminal blocks - CLIPLINE complete

UT screw connection terminal blocks

UT 6-TMC ... thermomagnetic circuit breakers



– Thermomagnetic circuit breakers feature a compact design, large-surface labeling options, and a double plug-in bridge shaft



– High level of system availability thanks to their reclosure function and clear status display
 – Eleven nominal current levels can be selected from 0.5 A to 16 A
 – Clear assignment of the relevant circuit breaker thanks to the large center labeling area

Notes:
1) Depending on the selected item version.
2) Please note the influence of the ambient temperature. For example calculation, see data sheet.

Dimensions	[mm]
------------	------

Max. electrical data

Rated data	[V]	[A] / [mm ²]	[mm ²]	AWG
Rated voltage				
Nominal current / cross section				
Rated cross section				
Cross section range				

Connection capacity	[mm ²]
1 conductor	
Two conductors (of the same type)	
Two stranded conductors with a TWIN ferrule	

Operating data
Nominal voltage
Nominal current
Switch-off time

Switching capacity I _{EN}
UT 6-TMC ... 0.5 A - UT 6-TMC ... 16 A

Service life
Cycles with 1 x I _N

General data	[°C]
Temperature range	
Insulating material	
Inflammability class according to UL 94	

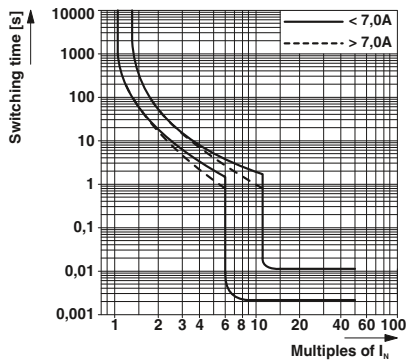
Description	Nominal current	Color
Thermomagnetic circuit breaker, for mounting on NS 35...	0.5 A ¹⁾	gray
	1 A	gray
	2 A	gray
	4 A	gray
	5 A	gray
	6 A	gray
	8 A	gray
	10 A	gray
	12 A	gray
	15 A	gray
	16 A	gray

Plug-in bridge		
	2	red
	3	red
	4	red
	5	red
	10	red
	20	red

Warning label, for UT series	yellow
------------------------------	--------

Screwdriver

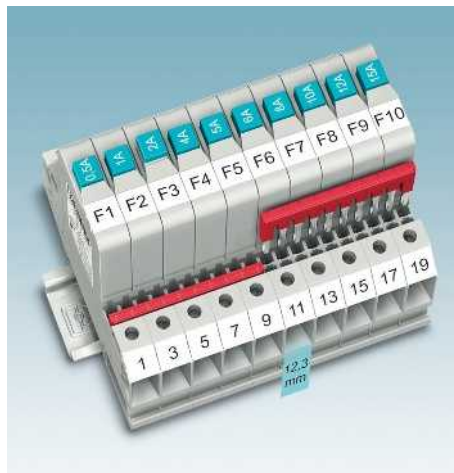
Lateral groove labeling



Trigger characteristic

– A complete data sheet is available to download for each product at www.phoenixcontact.net/products
 – Further circuit breakers can be found in Catalog 6 “Surge protection and power supplies”

– They can be integrated into the CLIPLINE complete system via the plug-in bridge shaft
 – 12.3 mm compact design




 6 (10) mm², thermomagnetic circuit breaker

Technical data

Width	Length	Height NS 35/7,5	
12.3			
	U _{max.} [V]	max. Ø [mm ²]	AWG
	240	0.2 - 10	24 - 8
IEC	UL/CUL	CSA	IEC/ EN 60079-7
240	-	-	-
0.5 ¹⁾ / 6	-	-	-
6	-	-	-
24 - 8	-	-	-
solid	stranded	Ferrule	
		Without / with plastic sleeve	
0.2 - 10	0.2 - 10	0.25 - 6	0.25 - 6
0.2 - 2.5	0.2 - 2.5	0.25 - 1.5	-
			0.5 - 4

240 V AC

28 V DC

Dependent on the article variant selected

See trigger characteristic; for correction factors, see data sheet

200 A / 400 A

6000

 -30 ... 60²⁾

PA66

V0

Ordering data

Type	I _{max}	Order No.	Pcs. / Pkt.
UT 6-TMC M 0,5A		0916603	6
UT 6-TMC M 1A		0916604	6
UT 6-TMC M 2A		0916605	6
UT 6-TMC M 4A		0916606	6
UT 6-TMC M 5A		0916607	6
UT 6-TMC M 6A		0916608	6
UT 6-TMC M 8A		0916609	6
UT 6-TMC M 10A		0916610	6
UT 6-TMC M 12A		0916611	6
UT 6-TMC M 15A		0916612	6
UT 6-TMC M 16A		0916613	6

Accessories

FBS 2-6	32 A	3030336	50
FBS 3-6	32 A	3030242	50
FBS 4-6	32 A	3030255	50
FBS 5-6	32 A	3030349	50
FBS 10-6	32 A	3030271	10
FBS 20-6	32 A	3030365	10
WS UT 6		3047345	10
SZS 1,0X4,0 VDE		1205066	10

 UC-TM 12, UCT-TM 12 or ZB 12
 (see Catalog 5)

Modular terminal blocks - CLIPLINE complete

UT screw connection terminal blocks

UT ...-TG disconnect terminal blocks for accommodating function plugs

– For corresponding function plugs, see page 480

Notes:
For more plug-in bridges, see page 472..
1) The total current of all connected conductors must not exceed the max. load current.
2) If the fuse is faulty, the downstream circuit is not off load.
3) Observe max. load current.
4) Observe max. load current, depending on the power dissipation of the components. Max. 0.5 W with single arrangement.
5) Current and voltage are determined by the plug used.
6) The reducing bridge table should be followed, see page 476.



2.5 (4) mm², 20 A, disconnect terminal block



4 (6) mm², 20 A, disconnect terminal block



Dimensions		[mm]
Max. electrical data		
Rated data		
Rated voltage	[V]	400 ⁵⁾
Nominal current / cross section	[A] / [mm ²]	20 ⁵⁾ / 2.5
Rated cross section	[mm ²]	2.5
Cross section range	AWG	26 - 12
Connection capacity		
1 conductor	[mm ²]	0.14 - 4
Two conductors (of the same type)	[mm ²]	0.14 - 1.5
Two stranded conductors with a TWIN ferrule	[mm ²]	0.14 - 1.5
General data		
Stripping length	[mm]	9
Screw thread		M3
Tightening torque	[Nm]	0.5 - 0.6
Insulating material		PA
Inflammability class according to UL 94		V0

Technical data			
Width	Length	Height NS 35/7,5	
5.2	57.8	47.5	
I _{max} [A]	U _{max} [V]	max. Ø [mm ²]	AWG
20 ⁵⁾	400 ⁵⁾	0.14 - 4	26 - 12
IEC 60947-7-1			
IEC	UL/CUL	CSA	IEC/EN 60079-7
Rated voltage	300	300	-
Nominal current / cross section	20 ⁵⁾ / 2.5	20 / -	16 / -
Rated cross section	2.5	-	-
Cross section range	26 - 12	26-12	26-12
Connection capacity			
solid		stranded	
		Ferrule	
		Without / with plastic sleeve	
1 conductor	0.14 - 4	0.14 - 4	0.14 - 2.5
Two conductors (of the same type)	0.14 - 1.5	0.14 - 1.5	0.14 - 1.5
Two stranded conductors with a TWIN ferrule			0.5 - 1.5
General data			
Stripping length	[mm]	9	
Screw thread		M3	
Tightening torque	[Nm]	0.5 - 0.6	
Insulating material		PA	
Inflammability class according to UL 94		V0	

Technical data			
Width	Length	Height NS 35/7,5	
6.2	57.8	47.5	
I _{max} [A]	U _{max} [V]	max. Ø [mm ²]	AWG
20 ⁵⁾	500 ⁵⁾	0.14 - 6	26 - 10
IEC 60947-7-1			
IEC	UL/CUL	CSA	IEC/EN 60079-7
Rated voltage	600	600	-
Nominal current / cross section	20 ⁵⁾ / 2.5	16 / -	16 / -
Rated cross section	4	-	-
Cross section range	26 - 10	26-10	26-10
Connection capacity			
solid		stranded	
		Ferrule	
		Without / with plastic sleeve	
1 conductor	0.14 - 6	0.14 - 6	0.14 - 4
Two conductors (of the same type)	0.14 - 1.5	0.14 - 1.5	0.14 - 1.5
Two stranded conductors with a TWIN ferrule			0.5 - 2.5
General data			
Stripping length	[mm]	9	
Screw thread		M3	
Tightening torque	[Nm]	0.6 - 0.8	
Insulating material		PA	
Inflammability class according to UL 94		V0	

Description	No. of pos.	Color
Disconnect terminal block , for mounting on NS 35...		gray
With test socket screws		blue gray blue

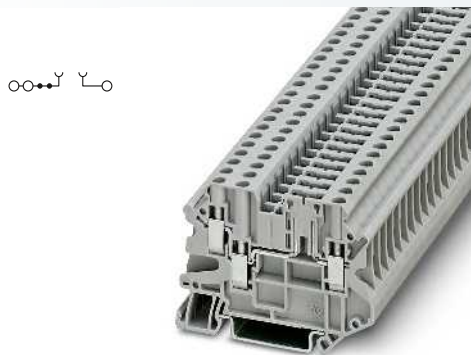
Ordering data			
Type	I _{max}	Order No.	Pcs. / Pkt.
UT 2,5-TG		3046388	50
UT 2,5-TG BU		3046579	50
UT 2,5-TG-P/P		3046391	50
UT 2,5-TG-P/P BU		3046582	50

Ordering data			
Type	I _{max}	Order No.	Pcs. / Pkt.
UT 4-TG		3046142	50
UT 4-TG BU		3073283	50
UT 4-TG-P/P		3046168	50
UT 4-TG-P/P BU		3073296	50

Accessories		
Cover , width 2.2 mm	gray	
End cover segment , for covering multi-conductor terminal blocks when two-conductor terminal blocks are aligned	gray	
Plug-in bridge		
	2	red
	3	red
	5	red
	10	red
	20	red
Reducing bridge⁶⁾		
	2	red
Reducing bridge⁶⁾		
	2	red
Partition plate , 2.2 mm wide	gray	
Test plug metal part , 2.3 mm Ø		
Insulating sleeve , for MPS metal part	red	
Isolating plug³⁾	orange	
Feed-through connector³⁾	gray	
Component plug , labeled with ZBF 5 or UC-TMF 5 ⁴⁾	gray	
Fuse plug , width 5.2 mm ²⁾		
Width 6.2 mm	black	
Width 8.2 mm	black	
Warning label , for UT series	yellow	
Screwdriver		
Lateral groove labeling		

Accessories			
Type	I _{max}	Order No.	Pcs. / Pkt.
D-UT 2,5/4-TWIN		3047141	50
DS-UT 2,5/4		3047109	50
FBS 2-5	20 A	3030161	50
FBS 3-5	20 A	3030174	50
FBS 5-5	20 A	3030190	50
FBS 10-5	20 A	3030213	10
FBS 20-5	20 A	3030226	10
ATP-UT-TWIN		3047183	50
MPS-MT		0201744	10
MPS-IH RD		0201676	10
P-DI		3036783	50
P-FIX		3038956	50
P-CO		3036796	10
P-FU 5X20-5		3209235	10
WS UT 2,5		3047923	10
SF-SL 0,6X3,5-100 S-VDE		1212587	10

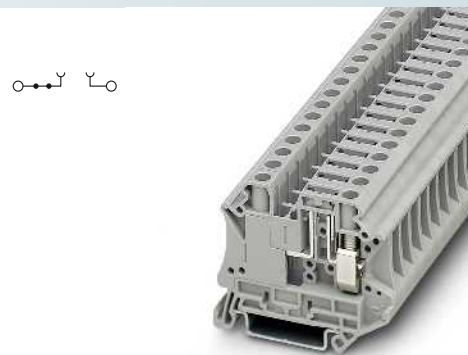
Accessories			
Type	I _{max}	Order No.	Pcs. / Pkt.
FBS 2-6	20 A	3030336	50
FBS 3-6	20 A	3030242	50
FBS 5-6	20 A	3030349	50
FBS 10-6	20 A	3030271	10
FBS 20-6	20 A	3030365	10
ATP-UT-TWIN		3047183	50
MPS-MT		0201744	10
MPS-IH RD		0201676	10
P-DI		3036783	50
P-FIX		3038956	50
P-CO		3036796	10
P-FU 5X20		3036806	10
WS UT 4		3047332	10
SF-SL 0,6X3,5-100 S-VDE		1212587	10



4 (6) mm², 20 A, disconnect terminal block, 3 connections



4 (6) mm², 20 A, disconnect terminal block, 4 connections



6 (10) mm², 20 A, disconnect terminal block



Technical data			
Width	Length	Height NS 35/7,5	
6.2	65.4	47.5	
I_{max} [A]	U_{max} [V]	max. Ø [mm ²]	AWG
20 ¹⁾	500 ⁵⁾	0.14 - 6	26 - 10
IEC 60947-7-1			
IEC	UL/CUL	CSA	IEC/EN 60079-7
500 ⁵⁾	300	300	-
20 ⁵⁾ / 2.5	20 / -	16 / -	-
4	-	-	-
26 - 10	26-10	26-10	-
solid	stranded	Ferrule	
Without / with plastic sleeve			
0.14 - 6	0.14 - 6	0.14 - 4	0.14 - 4
0.14 - 1.5	0.14 - 1.5	0.14 - 1.5	-
			0.5 - 2.5
9			
M3			
0.6 - 0.8			
PA			
V0			

Technical data			
Width	Length	Height NS 35/7,5	
6.2	65.4	47.5	
I_{max} [A]	U_{max} [V]	max. Ø [mm ²]	AWG
20 ¹⁾	500 ⁵⁾	0.14 - 6	26 - 10
IEC 60947-7-1			
IEC	UL/CUL	CSA	IEC/EN 60079-7
500 ⁵⁾	300	300	-
20 ⁵⁾ / 2.5	20 / -	16 / -	-
4	-	-	-
26 - 10	26-10	26-10	-
solid	stranded	Ferrule	
Without / with plastic sleeve			
0.14 - 6	0.14 - 6	0.14 - 4	0.14 - 4
0.14 - 1.5	0.14 - 1.5	0.14 - 1.5	-
			0.5 - 2.5
9			
M3			
0.6 - 0.8			
PA			
V0			

Technical data			
Width	Length	Height NS 35/7,5	
8.2	57.8	47.5	
I_{max} [A]	U_{max} [V]	max. Ø [mm ²]	AWG
20 ¹⁾	500 ⁵⁾	0.2 - 10	24 - 8
IEC 60947-7-1			
IEC	UL/CUL	CSA	IEC/EN 60079-7
500 ⁵⁾	600	600	-
20 ⁵⁾ / 2.5	20 / -	16 / -	-
6	-	-	-
24 - 8	24-8	24-8	-
solid	stranded	Ferrule	
Without / with plastic sleeve			
0.2 - 10	0.2 - 10	0.25 - 6	0.25 - 6
0.2 - 2.5	0.2 - 2.5	0.25 - 1.5	-
			0.5 - 4
10			
M4			
1.5 - 1.8			
PA			
V0			

Ordering data			
Type	I_{max}	Order No.	Pcs. / Pkt.
UT 4-TWIN-TG		3046595	50
UT 4-TWIN-TG BU		3073034	50
UT 4-TWIN-TG P/P		3046605	50
UT 4-TWIN-TG P/P BU		3073047	50

Ordering data			
Type	I_{max}	Order No.	Pcs. / Pkt.
UT 4-QUATTRO-TG		3064027	50
UT 4-QUATTRO-TG BU		3073076	50
UT 4-QUATTRO-TG P/P		3064030	50
UT 4-QUATTRO-TG P/P BU		3073089	50

Ordering data			
Type	I_{max}	Order No.	Pcs. / Pkt.
UT 6-TG		3046485	50
UT 6-TG BU		3073856	50
UT 6-TG P/P		3073869	50
UT 6-TG P/P BU		3073872	50

Accessories			
D-UT 2,5/4-QUATTRO		3047170	50
DS-UT 2,5/4		3047109	50
FBS 2-6	20 A	3030336	50
FBS 3-6	20 A	3030242	50
FBS 5-6	20 A	3030349	50
FBS 10-6	20 A	3030271	10
FBS 20-6	20 A	3030365	10
ATP-UT-QUATTRO		3047196	50
MPS-MT		0201744	10
MPS-IH RD		0201676	10
P-DI		3036783	50
P-FIX		3038956	50
P-CO		3036796	10
P-FU 5X20		3036806	10
WS UT 4		3047332	10
SF-SL 0,6X3,5-100 S-VDE		1212587	10

Accessories			
D-UT 2,5/4-QUATTRO		3047170	50
DS-UT 2,5/4		3047109	50
FBS 2-6	20 A	3030336	50
FBS 3-6	20 A	3030242	50
FBS 5-6	20 A	3030349	50
FBS 10-6	20 A	3030271	10
FBS 20-6	20 A	3030365	10
ATP-UT-QUATTRO		3047196	50
MPS-MT		0201744	10
MPS-IH RD		0201676	10
P-DI		3036783	50
P-FIX		3038956	50
P-CO		3036796	10
P-FU 5X20		3036806	10
WS UT 4		3047332	10
SF-SL 0,6X3,5-100 S-VDE		1212587	10

Accessories			
FBS 2-8	20 A	3030284	10
FBS 3-8	20 A	3030297	10
FBS 5-8	20 A	3030310	10
FBS 10-8	20 A	3030323	10
RB UT 6-(2,5/4)		3047251	10
RB UT 6-ST(2,5/4)		3047264	10
ATP-UT-TWIN		3047183	50
P-DI		3036783	50
P-FIX		3038956	50
P-CO		3036796	10
P-FU 5X20		3036806	10
P-FU 6,3X32		3046498	10
WS UT 6		3047345	10
SZS 1,0X4,0 VDE		1205066	10

UC-TM 6, UCT-TM 6 or ZB 6 (see Catalog 5)

UC-TM 6, UCT-TM 6 or ZB 6 (see Catalog 5)

UC-TM 8, UCT-TM 8 or ZB 8 (see Catalog 5)

Modular terminal blocks - CLIPLINE complete

UT screw connection terminal blocks

UT ...-MT knife disconnect terminal blocks

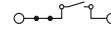
- Compact design and high current-carrying capacity of 20 A
- Double bridge shaft enables individual potential distribution and supply
- For UT ...-MTD feed-through terminal blocks of the same shape, see page 62

Notes:

- 1) The total current of all connected conductors must not exceed the max. load current.
- 2) The reducing bridge table should be followed, see page 476.
- 3) Also see page 480.



2.5 (4) mm², 20 A, knife disconnect terminal block



4 (6) mm², 20 A, knife disconnect terminal block



Dimensions		[mm]
Max. electrical data		
Rated data		
Rated voltage	[V]	400
Nominal current / cross section	[A] / [mm ²]	20 / 2.5
Rated cross section	[mm ²]	2.5
Cross section range	AWG	26 - 12
Connection capacity		
1 conductor	[mm ²]	0.14 - 4
Two conductors (of the same type)	[mm ²]	0.14 - 1.5
Two stranded conductors with a TWIN ferrule	[mm ²]	0.14 - 1.5
General data		
Stripping length	[mm]	9
Screw thread		M3
Tightening torque	[Nm]	0.5 - 0.6
Insulating material		PA
Inflammability class according to UL 94		V0

Technical data				
Width	Length	Height NS 35/7,5		
5.2	57.8	49.1		
I _{max} [A]	U _{max} [V]	max. Ø [mm ²]	AWG	
20	400	0.14 - 4	26 - 12	
IEC 60947-7-1				
IEC	UL/CUL	CSA	IEC/EN 60079-7	
400	300	300	-	
20 / 2.5	20 / -	16 / -	-	
2.5	-	-	-	
26 - 12	26-12	26-12	-	
solid		stranded		Ferrule
				Without / with plastic sleeve
0.14 - 4	0.14 - 4	0.14 - 2.5	0.14 - 2.5	
0.14 - 1.5	0.14 - 1.5	0.14 - 1.5	-	
				0.5 - 1.5
Ordering data				
Type	I _{max}	Order No.	Pcs. / Pkt.	
UT 2,5-MT		3046362	50	
UT 2,5-MT BU		3046553	50	
UT 2,5-MT-P/P		3046375	50	
UT 2,5-MT P/P BU		3046566	50	
Accessories				
D-UT 2,5/4-TWIN		3047141	50	
DS-UT 2,5/4		3047109	50	
FBS 2-5	20 A	3030161	50	
FBS 3-5	20 A	3030174	50	
FBS 4-5	20 A	3030187	50	
FBS 5-5	20 A	3030190	50	
FBS 10-5	20 A	3030213	10	
FBS 20-5	20 A	3030226	10	
S-MT		3247954	50	
ATP-UT-TWIN		3047183	50	
PAI-4-N GY		3032871	10	
MPS-MT		0201744	10	
MPS-IH RD		0201676	10	
PS-5		3030983	10	
WS UT 2,5		3047923	10	
SF-SL 0,6X3,5-100 S-VDE		1212587	10	

Technical data				
Width	Length	Height NS 35/7,5		
6.2	57.8	49.1		
I _{max} [A]	U _{max} [V]	max. Ø [mm ²]	AWG	
20	500	0.14 - 6	26 - 10	
IEC 60947-7-1				
IEC	UL/CUL	CSA	IEC/EN 60079-7	
500	600	600	-	
20 / 2.5	16 / -	16 / -	-	
4	-	-	-	
26 - 10	26-10	26-10	-	
solid		stranded		Ferrule
				Without / with plastic sleeve
0.14 - 6	0.14 - 6	0.14 - 4	0.14 - 4	
0.14 - 1.5	0.14 - 1.5	0.14 - 1.5	-	
				0.5 - 2.5
Ordering data				
Type	I _{max}	Order No.	Pcs. / Pkt.	
UT 4-MT		3046139	50	
UT 4-MT BU		3046278	50	
UT 4-MT-P/P		3046171	50	
UT 4-MT-P/P BU		3046265	50	
Accessories				
FBS 2-6	20 A	3030336	50	
FBS 3-6	20 A	3030242	50	
FBS 4-6	20 A	3030255	50	
FBS 5-6	20 A	3030349	50	
FBS 10-6	20 A	3030271	10	
FBS 20-6	20 A	3030365	10	
S-MT		3247954	50	
ATP-UT-TWIN		3047183	50	
PAI-4-N GY		3032871	10	
MPS-MT		0201744	10	
MPS-IH RD		0201676	10	
PS-6		3030996	10	
WS UT 4		3047332	10	
SF-SL 0,6X3,5-100 S-VDE		1212587	10	

Description	No. of pos.	Color
Knife disconnect terminal block, for mounting on NS 35...		gray
With test socket screws		blue gray blue

Type	I _{max}	Order No.	Pcs. / Pkt.
UT 2,5-MT		3046362	50
UT 2,5-MT BU		3046553	50
UT 2,5-MT-P/P		3046375	50
UT 2,5-MT P/P BU		3046566	50

Type	I _{max}	Order No.	Pcs. / Pkt.
UT 4-MT		3046139	50
UT 4-MT BU		3046278	50
UT 4-MT-P/P		3046171	50
UT 4-MT-P/P BU		3046265	50

Cover, width 2.2 mm	gray
End cover segment, for covering multi-conductor terminal blocks when two-conductor terminal blocks are aligned	gray
Plug-in bridge	
	2 red
	3 red
	4 red
	5 red
	10 red
	20 red
Reducing bridge²⁾	
	2 red
Reducing bridge²⁾	
	2 red
Switching lock, plug-in ³⁾	white
Partition plate, 2.2 mm wide	gray
Test adapter, 4-mm test socket hole	gray
Test plug metal part, 2.3 mm Ø	
Insulating sleeve, for MPS metal part	red
Modular test plug, for the individual assembly of test plug strips	red
Warning label, for UT series	yellow
Screwdriver	

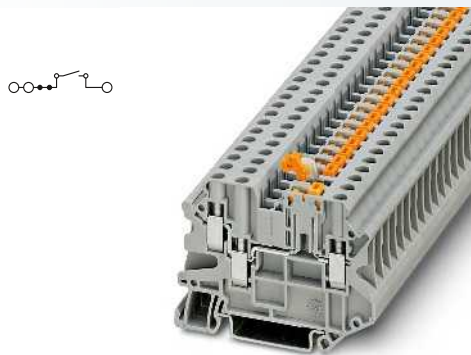
Accessories		Order No.	Pcs. / Pkt.
D-UT 2,5/4-TWIN		3047141	50
DS-UT 2,5/4		3047109	50
FBS 2-5	20 A	3030161	50
FBS 3-5	20 A	3030174	50
FBS 4-5	20 A	3030187	50
FBS 5-5	20 A	3030190	50
FBS 10-5	20 A	3030213	10
FBS 20-5	20 A	3030226	10
S-MT		3247954	50
ATP-UT-TWIN		3047183	50
PAI-4-N GY		3032871	10
MPS-MT		0201744	10
MPS-IH RD		0201676	10
PS-5		3030983	10
WS UT 2,5		3047923	10
SF-SL 0,6X3,5-100 S-VDE		1212587	10

Accessories		Order No.	Pcs. / Pkt.
FBS 2-6	20 A	3030336	50
FBS 3-6	20 A	3030242	50
FBS 4-6	20 A	3030255	50
FBS 5-6	20 A	3030349	50
FBS 10-6	20 A	3030271	10
FBS 20-6	20 A	3030365	10
S-MT		3247954	50
ATP-UT-TWIN		3047183	50
PAI-4-N GY		3032871	10
MPS-MT		0201744	10
MPS-IH RD		0201676	10
PS-6		3030996	10
WS UT 4		3047332	10
SF-SL 0,6X3,5-100 S-VDE		1212587	10

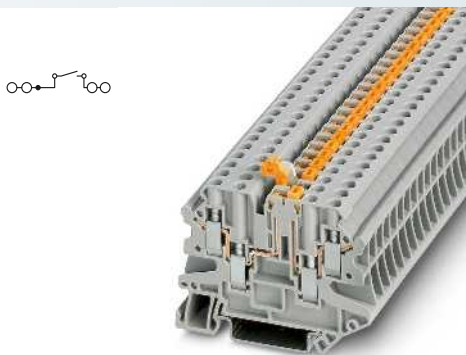
Lateral groove labeling

UC-TM 5, UCT-TM 5 or ZB 5 (see Catalog 5)

UC-TM 6, UCT-TM 6 or ZB 6 (see Catalog 5)



4 (6) mm², 20 A, knife disconnect terminal block, 3 connections



4 (6) mm², 20 A, knife disconnect terminal block, 4 connections



6 (10) mm², 20 A, knife disconnect terminal block



Technical data			
Width	Length	Height NS 35/7,5	
6.2	65.4	49.1	
I _{max} [A]	U _{max} [V]	max. Ø [mm ²]	AWG
20 ¹⁾	500	0.14 - 6	26 - 10
IEC 60947-7-1			
IEC	UL/CUL	CSA	IEC/EN 60079-7
500	300	300	-
20 ¹⁾ / 2.5	20 / -	16 / -	-
4	-	-	-
26 - 10	26-10	26-10	-
solid	stranded	Ferrule	
Without / with plastic sleeve			
0.14 - 6	0.14 - 6	0.14 - 4	0.14 - 4
0.14 - 1.5	0.14 - 1.5	0.14 - 1.5	-
			0.5 - 2.5

Technical data			
Width	Length	Height NS 35/7,5	
6.2	65.4	49.1	
I _{max} [A]	U _{max} [V]	max. Ø [mm ²]	AWG
20 ¹⁾	500	0.14 - 6	26 - 10
IEC 60947-7-1			
IEC	UL/CUL	CSA	IEC/EN 60079-7
500	300	300	-
20 ¹⁾ / 2.5	20 / -	16 / -	-
4	-	-	-
26 - 10	26-10	26-10	-
solid	stranded	Ferrule	
Without / with plastic sleeve			
0.14 - 6	0.14 - 6	0.14 - 4	0.14 - 4
0.14 - 1.5	0.14 - 1.5	0.14 - 1.5	-
			0.5 - 2.5

Technical data			
Width	Length	Height NS 35/7,5	
8.2	57.8	49.1	
I _{max} [A]	U _{max} [V]	max. Ø [mm ²]	AWG
20	500	0.2 - 10	24 - 8
IEC 60947-7-1			
IEC	UL/CUL	CSA	IEC/EN 60079-7
500	600	600	-
20 / 2.5	20 / -	16 / -	-
6	-	-	-
24 - 8	24-8	24-8	-
solid	stranded	Ferrule	
Without / with plastic sleeve			
0.2 - 10	0.2 - 10	0.25 - 6	0.25 - 6
0.2 - 2.5	0.2 - 2.5	0.25 - 1.5	-
			0.5 - 4

9
M3
0.6 - 0.8
PA
V0

9
M3
0.6 - 0.8
PA
V0

10
M4
1.5 - 1.8
PA
V0

Ordering data			
Type	I _{max}	Order No.	Pcs. / Pkt.
UT 4-TWIN-MT		3046003	50
UT 4-TWIN-MT BU		3073018	50
UT 4-TWIN-MT P/P		3064014	50
UT 4-TWIN-MT P/P BU		3073021	50

Ordering data			
Type	I _{max}	Order No.	Pcs. / Pkt.
UT 4-QUATTRO-MT		3064043	50
UT 4-QUATTRO-MT BU		3073050	50
UT 4-QUATTRO-MT P/P		3064056	50
UT 4-QUATTRO-MT P/P BU		3073063	50

Ordering data			
Type	I _{max}	Order No.	Pcs. / Pkt.
UT 6-MT		3064069	50
UT 6-MT BU		3073267	50
UT 6-MT P/P		3064072	50
UT 6-MT P/P BU		3073270	50

Accessories			
D-UT 2,5/4-QUATTRO		3047170	50
DS-UT 2,5/4		3047109	50
FBS 2-6	20 A	3030336	50
FBS 3-6	20 A	3030242	50
FBS 4-6	20 A	3030255	50
FBS 5-6	20 A	3030349	50
FBS 10-6	20 A	3030271	10
FBS 20-6	20 A	3030365	10
S-MT		3247954	50
ATP-UT-QUATTRO		3047196	50
PAI-4-N GY		3032871	10
MPS-MT		0201744	10
MPS-IH RD		0201676	10
PS-6		3030996	10
WS UT 4		3047332	10
SF-SL 0,6X3,5-100 S-VDE		1212587	10

Accessories			
D-UT 2,5/4-QUATTRO		3047170	50
DS-UT 2,5/4		3047109	50
FBS 2-6	20 A	3030336	50
FBS 3-6	20 A	3030242	50
FBS 4-6	20 A	3030255	50
FBS 5-6	20 A	3030349	50
FBS 10-6	20 A	3030271	10
FBS 20-6	20 A	3030365	10
S-MT		3247954	50
ATP-UT-QUATTRO		3047196	50
PAI-4-N GY		3032871	10
MPS-MT		0201744	10
MPS-IH RD		0201676	10
PS-6		3030996	10
WS UT 4		3047332	10
SF-SL 0,6X3,5-100 S-VDE		1212587	10

Accessories			
FBS 2-8	20 A	3030284	10
FBS 3-8	20 A	3030297	10
FBS 4-8	20 A	3030307	10
FBS 5-8	20 A	3030310	10
FBS 10-8	20 A	3030323	10
RB UT 6-(2,5/4)		3047251	10
RB UT 6-ST(2,5/4)		3047264	10
S-MT		3247954	50
ATP-UT-TWIN		3047183	50
PAI-4-N GY		3032871	10
MPS-MT		0201744	10
MPS-IH RD		0201676	10
PS-8		3031005	10
WS UT 6		3047345	10
SZS 1,0X4,0 VDE		1205066	10

UC-TM 6, UCT-TM 6 or ZB 6 (see Catalog 5)

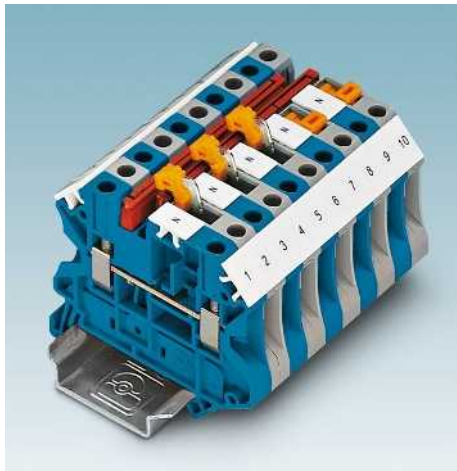
UC-TM 6, UCT-TM 6 or ZB 6 (see Catalog 5)

UC-TM 8, UCT-TM 8 or ZB 8 (see Catalog 5)

Modular terminal blocks - CLIPLINE complete

UT screw connection terminal blocks

UT 2,5-MTD-... feed-through and diode terminal blocks of the same shape



UT 2,5-MTD and UT 2,5-MTD-PE

- Feed-through and PE terminal blocks enable terminal strips of the same shape to be set up with disconnect and knife disconnect terminal blocks
- The continuous labeling and bridging of terminal blocks is beneficial

UT 2,5-MTD-DIO...

- The component terminal blocks can be used for a multitude of switching tasks
- Versions with 1N 4007 diodes are available, conducting from left to right or from right to left

End cover segments

- If two-conductor terminal blocks are aligned on three or four-conductor terminal blocks, cover segments cover protruding parts
- Fingers are protected from contact



Notes:
For current carrying capacity of DIN rails, see page 716.
1) The max. current is determined by the diode. Integrated: diode 1N 4007, reverse voltage: 1300 V, maximum continuous current: 0.5 A



2.5 (4) mm², 32 A, feed-through terminal block



Dimensions	
	[mm]
Max. electrical data	
Rated voltage	[V]
Nominal current / cross section	[A] / [mm ²]
Rated cross section	[mm ²]
Cross section range	AWG
Connection capacity	
1 conductor	[mm ²]
Two conductors (of the same type)	[mm ²]
Two stranded conductors with a TWIN ferrule	[mm ²]
General data	
Stripping length	[mm]
Screw thread	
Tightening torque	[Nm]
Insulating material	
Inflammability class according to UL 94	

Technical data			
Width	Length	Height NS 35/7,5	
5.2	57.8	47.5	
I _{max} [A]	U _{max} [V]	max. Ø [mm ²]	AWG
32	800	0.14 - 4	26 - 12
IEC 60947-7-1			
IEC	UL/CUL	CSA	IEC/EN 60079-7
800	600	600	-
24 / 2.5	20 / -	20 / -	-
2.5	-	-	-
26 - 12	26-12	26-12	-
solid	stranded	Ferrule	
		Without / with plastic sleeve	
0.14 - 4	0.14 - 4	0.14 - 2.5	0.14 - 2.5
0.14 - 1.5	0.14 - 1.5	0.14 - 1.5	-
			0.5 - 1.5
9			
M3			
0.5 - 0.6			
PA			
V0			

Description	No. of pos.	Color
Feed-through terminal block, for mounting on NS 35...		gray
Feed-through terminal block, with test socket screws, for mounting on NS 35...		blue
		gray
Ground terminal block, for mounting on NS 35...		blue
		green-yellow
Terminal block, with integrated diode, conducting from left to right		gray
Conducting from right to left		gray

Ordering data			
Type	I _{max}	Order No.	Pcs. / Pkt.
UT 2,5-MTD		3064085	50
UT 2,5-MTD BU		3064108	50

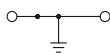
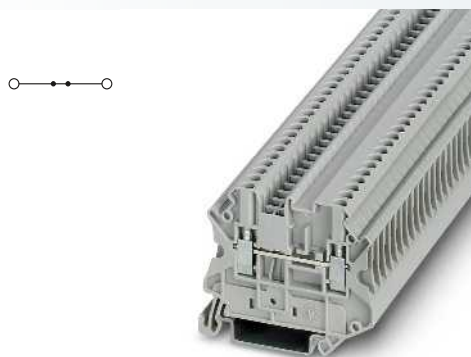
Cover, width 2.2 mm		gray
End cover segment, for covering multi-conductor terminal blocks when two-conductor terminal blocks are aligned		gray
Plug-in bridge		
	2	red
	3	red
	4	red
	5	red
	10	red
	20	red
Partition plate, 2.2 mm wide		gray
Test plug metal part, 2.3 mm Ø		
Insulating sleeve, for MPS metal part		red
Modular test plug, for the individual assembly of test plug strips		red
Warning label, for UT series		yellow
Screwdriver		

Accessories			
D-UT 2,5/4-TWIN		3047141	50
DS-UT 2,5/4		3047109	50
FBS 2-5	24 A	3030161	50
FBS 3-5	24 A	3030174	50
FBS 4-5	24 A	3030187	50
FBS 5-5	24 A	3030190	50
FBS 10-5	24 A	3030213	10
FBS 20-5	24 A	3030226	10
ATP-UT-TWIN		3047183	50
MPS-MT		0201744	10
MPS-IH RD		0201676	10
PS-5		3030983	10
WS UT 2,5		3047923	10
SF-SL 0,6X3,5-100 S-VDE		1212587	10

Center and lateral groove labeling

UC-TM 5, UCT-TM 5 or ZB 5 (see Catalog 5)

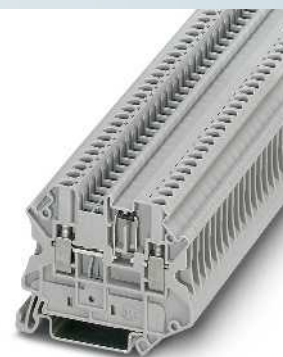
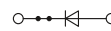
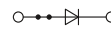
UT screw connection terminal blocks



2.5 (4) mm², 32 A, feed-through terminal block, with test socket screw



2.5 (4) mm², ground terminal block



2.5 (4) mm², 0.5 A, diode terminal block



Technical data				
Width	Length	Height NS 35/7,5		
5.2	57.8	47.5		
I_{max} [A]	U_{max} [V]	max. Ø [mm ²]	AWG	
32	630	0.14 - 4	26 - 12	
IEC 60947-7-1				
IEC	UL/CUL	CSA	IEC/EN 60079-7	
630	600	600	-	
24 / 2.5	20 / -	20 / -	-	
2.5	-	-	-	
26 - 12	26-12	26-12	-	
solid	stranded	Ferrule		
Without / with plastic sleeve				
0.14 - 4	0.14 - 4	0.14 - 2.5	0.14 - 2.5	
0.14 - 1.5	0.14 - 1.5	0.14 - 1.5	-	
			0.5 - 1.5	
9	M3	0.5 - 0.6	PA	V0

Technical data				
Width	Length	Height NS 35/7,5		
5.2	57.8	47.5		
I_{max} [A]	U_{max} [V]	max. Ø [mm ²]	AWG	
0.5 ¹⁾	800	0.14 - 4	26 - 12	
IEC 60947-7-2				
IEC	UL/CUL	CSA	IEC/EN 60079-7	
-	-	-	-	
-	- / -	-	-	
2.5	-	-	-	
26 - 12	26-12	26-12	-	
solid	stranded	Ferrule		
Without / with plastic sleeve				
0.14 - 4	0.14 - 4	0.14 - 2.5	0.14 - 2.5	
0.14 - 1.5	0.14 - 1.5	0.14 - 1.5	-	
			0.5 - 1.5	
9	M3	0.5 - 0.6	PA	V0

Technical data				
Width	Length	Height NS 35/7,5		
5.2	57.8	47.5		
I_{max} [A]	U_{max} [V]	max. Ø [mm ²]	AWG	
0.5 ¹⁾	800	0.14 - 4	26 - 12	
IEC				
IEC	UL/CUL	CSA	IEC/EN 60079-7	
800	600	600	-	
0.5 ¹⁾ / 1	0.5 / -	0.5 / -	-	
2.5	-	-	-	
26 - 12	26-12	26-12	-	
solid	stranded	Ferrule		
Without / with plastic sleeve				
0.14 - 4	0.14 - 4	0.14 - 2.5	0.14 - 2.5	
0.14 - 1.5	0.14 - 1.5	0.14 - 1.5	-	
			0.5 - 1.5	
9	M3	0.5 - 0.6	PA	V0

Ordering data			
Type	I_{max}	Order No.	Pcs. / Pkt.
UT 2,5-MTD P/P		3064098	50
UT 2,5-MTD P/P BU		3064111	50

Ordering data			
Type	I_{max}	Order No.	Pcs. / Pkt.
UT 2,5-MTD-PE		3064124	50

Ordering data			
Type	I_{max}	Order No.	Pcs. / Pkt.
UT 2,5-MTD-DIO/L-R		3064137	50
UT 2,5-MTD-DIO/R-L		3064140	50

Accessories			
Type	I_{max}	Order No.	Pcs. / Pkt.
D-UT 2,5/4-TWIN		3047141	50
DS-UT 2,5/4		3047109	50
FBS 2-5	24 A	3030161	50
FBS 3-5	24 A	3030174	50
FBS 4-5	24 A	3030187	50
FBS 5-5	24 A	3030190	50
FBS 10-5	24 A	3030213	10
FBS 20-5	24 A	3030226	10
ATP-UT-TWIN		3047183	50
MPS-MT		0201744	10
MPS-IH RD		0201676	10
PS-5		3030983	10
WS UT 2,5		3047923	10
SZG 0,6X3,5 VDE		1205121	10

Accessories			
Type	I_{max}	Order No.	Pcs. / Pkt.
D-UT 2,5/4-TWIN		3047141	50
DS-UT 2,5/4		3047109	50
FBS 2-5		3030161	50
FBS 3-5		3030174	50
FBS 4-5		3030187	50
FBS 5-5		3030190	50
FBS 10-5		3030213	10
FBS 20-5		3030226	10
ATP-UT-TWIN		3047183	50
MPS-MT		0201744	10
MPS-IH RD		0201676	10
PS-5		3030983	10
WS UT 2,5		3047923	10
SF-SL 0,6X3,5-100 S-VDE		1212587	10

Accessories			
Type	I_{max}	Order No.	Pcs. / Pkt.
D-UT 2,5/4-TWIN		3047141	50
DS-UT 2,5/4		3047109	50
FBS 2-5	24 A	3030161	50
FBS 3-5	24 A	3030174	50
FBS 4-5	24 A	3030187	50
FBS 5-5	24 A	3030190	50
FBS 10-5	24 A	3030213	10
FBS 20-5	24 A	3030226	10
ATP-UT-TWIN		3047183	50
MPS-MT		0201744	10
MPS-IH RD		0201676	10
PS-5		3030983	10
WS UT 2,5		3047923	10
SF-SL 0,6X3,5-100 S-VDE		1212587	10

UC-TM 5, UCT-TM 5 or ZB 5
(see Catalog 5)

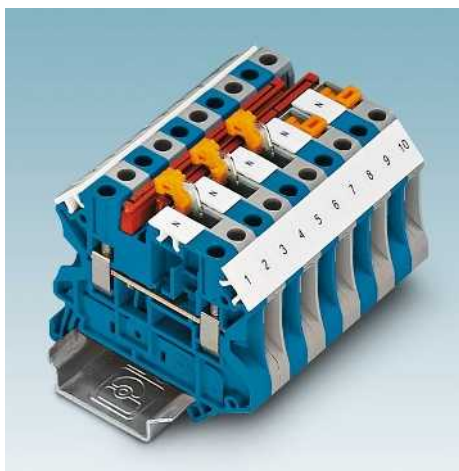
UC-TM 5, UCT-TM 5 or ZB 5
(see Catalog 5)

UC-TM 5, UCT-TM 5 or ZB 5
(see Catalog 5)

Modular terminal blocks - CLIPLINE complete

UT screw connection terminal blocks

UT 4-MTD-... feed-through and diode terminal blocks of the same shape



UT 4-MTD and UT 4-MTD-PE

- Feed-through and PE terminal blocks enable terminal strips of the same shape to be set up with disconnect and knife disconnect terminal blocks
- The continuous labeling and bridging of terminal blocks is beneficial

UT 4-MTD-DIO...

- The component terminal blocks can be used for a multitude of switching tasks
- Versions with 1N 4007 diodes are available, conducting from left to right or from right to left

End cover segments

- If two-conductor terminal blocks are aligned on three or four-conductor terminal blocks, cover segments cover protruding parts
- Fingers are protected from contact



Notes:
For current carrying capacity of DIN rails, see page 716.
1) The max. current is determined by the diode Integrated: diode 1N 4007, reverse voltage: 1300 V, maximum continuous current: 0.5 A
2) For installation notes on the use of accessories for Ex e applications, see page 710.



4 (6) mm², 41 A, feed-through terminal block



Ex: Ex KEMA 04ATEX2048 U / IECEx KEM 06.0027U

Dimensions		[mm]	
Max. electrical data			
I_{max} [A]	U_{max} [V]	max. Ø [mm ²]	AWG
41	800	0.14 - 6	26 - 10
IEC 60947-7-1			
Rated data			
Rated voltage	[V]	800	600
Nominal current / cross section	[A] / [mm ²]	32 / 4	30 / -
Rated cross section	[mm ²]	4	-
Cross section range	AWG	26 - 10	26-10
Connection capacity			
1 conductor	[mm ²]	0.14 - 6	0.14 - 6
Two conductors (of the same type)	[mm ²]	0.14 - 1.5	0.14 - 1.5
Two stranded conductors with a TWIN ferrule	[mm ²]		
General data			
Stripping length	[mm]	9	
Screw thread		M3	
Tightening torque	[Nm]	0.6 - 0.8	
Insulating material		PA	
Inflammability class according to UL 94		V0	

Technical data			
Width	Length	Height NS 35/7,5	
6.2	57.8	47.5	
I_{max} [A]	U_{max} [V]	max. Ø [mm ²]	AWG
41	800	0.14 - 6	26 - 10
IEC 60947-7-1			
IEC	UL/CUL	CSA	IEC/EN 60079-7
800	600	600	690
32 / 4	30 / -	30 / -	29 / 4 // 36 / 6
4	-	-	4
26 - 10	26-10	26-10	26 - 10
Connection capacity			
solid	stranded	Ferrule	
		Without / with plastic sleeve	
0.14 - 6	0.14 - 6	0.14 - 4	0.14 - 4
0.14 - 1.5	0.14 - 1.5	0.14 - 1.5	-
			0.5 - 2.5

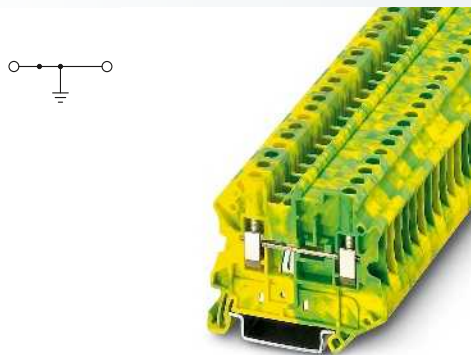
Description	No. of pos.	Color
Feed-through terminal block , for mounting on NS 35...		gray
Ground terminal block , for mounting on NS 35..., with snap-on foot		blue
With screw foot		green-yellow
Terminal block , with integrated diode, conducting from left to right		gray
Conducting from right to left		gray

Ordering data			
Type	I_{max}	Order No.	Pcs. / Pkt.
UT 4-MTD		3046184	50
UT 4-MTD BU		3046197	50

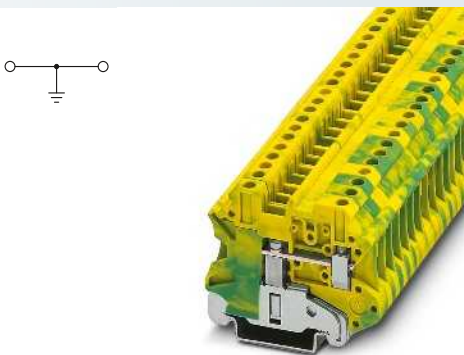
Cover , width 2.2 mm	gray
End cover segment , for covering multi-conductor terminal blocks when two-conductor terminal blocks are aligned	gray
Plug-in bridge	
	2 red
	3 red
	4 red
	5 red
	10 red
	20 red
Partition plate , 2.2 mm wide	gray
Test adapter , 4-mm test socket hole	gray
Test plug metal part , 2.3 mm Ø	
Insulating sleeve , for MPS metal part	red
Modular test plug , for the individual assembly of test plug strips	red
Warning label , for UT series	yellow
Screwdriver	
Center and lateral groove labeling	

Accessories ²⁾			
D-UT 2,5/4-TWIN		3047141	50
DS-UT 2,5/4		3047109	50
FBS 2-6	32 A	3030336	50
FBS 3-6	32 A	3030242	50
FBS 4-6	32 A	3030255	50
FBS 5-6	32 A	3030349	50
FBS 10-6	32 A	3030271	10
FBS 20-6	32 A	3030365	10
ATP-UT-TWIN		3047183	50
PAI-4-N GY		3032871	10
MPS-MT		0201744	10
MPS-IH RD		0201676	10
PS-6		3030996	10
WS UT 4		3047332	10
SF-SL 0,6x3,5-100 S-VDE		1212587	10
UC-TM 6, UCT-TM 6 or ZB 6 (see Catalog 5)			

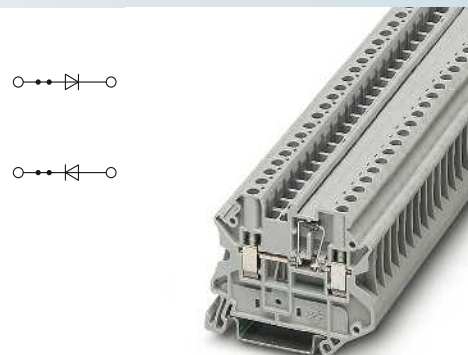
UT screw connection terminal blocks



4 (6) mm², ground terminal block



4 (6) mm², feed-through terminal block, with screw PE foot



4 (6) mm², 0.5 A, diode terminal block



Ex: KEMA 04ATEX2048 U / IECEx KEM 06.0027U



Ex: KEMA 04ATEX2048 U / IECEx KEM 06.0027U



Technical data			
Width	Length	Height NS 35/7,5	
6.2	57.8	47.5	
max. Ø [mm ²]		AWG	
0.14 - 6		26 - 10	
IEC 60947-7-2			
IEC	UL/CUL	CSA	IEC/EN 60079-7
-	-	-	-
4	- / -	-	4
26 - 10	26-10	26-10	26 - 10
solid	stranded	Ferrule	
		Without / with plastic sleeve	
0.14 - 6	0.14 - 6	0.14 - 4	0.14 - 4
0.14 - 1.5	0.14 - 1.5	0.14 - 1.5	-
		0.5 - 2.5	
9	M3	0.6 - 0.8	
PA			
V0			

Technical data			
Width	Length	Height NS 35/7,5	
6.2	57.8	47.5	
max. Ø [mm ²]		AWG	
0.14 - 6		26 - 10	
IEC 60947-7-2			
IEC	UL/CUL	CSA	IEC/EN 60079-7
-	-	-	-
4	- / -	-	4
26 - 10	26-10	26-10	26 - 10
solid	stranded	Ferrule	
		Without / with plastic sleeve	
0.14 - 6	0.14 - 6	0.14 - 4	0.14 - 4
0.14 - 1.5	0.14 - 1.5	0.14 - 1.5	-
		0.5 - 2.5	
9	M3	0.6 - 0.8	
PA			
V0			

Technical data			
Width	Length	Height NS 35/7,5	
6.2	57.8	47.5	
I _{max} [A]	U _{max} [V]	max. Ø [mm ²]	AWG
0.5 ¹⁾	800	0.14 - 6	26 - 10
IEC			
IEC	UL/CUL	CSA	IEC/EN 60079-7
800	600	600	-
0.5 ¹⁾ / 1	0.5 / -	1 / -	-
4	-	-	-
26 - 10	26-10	26-10	-
solid	stranded	Ferrule	
		Without / with plastic sleeve	
0.14 - 6	0.14 - 6	0.14 - 4	0.14 - 4
0.14 - 1.5	0.14 - 1.5	0.14 - 1.5	-
		0.5 - 2.5	
9	M3	0.6 - 0.8	
PA			
V0			

Ordering data		
Type	Order No.	Pcs. / Pkt.
UT 4-MTD-PE	3046223	50

Ordering data		
Type	Order No.	Pcs. / Pkt.
UT 4-MTD-PE/S	3046207	50

Ordering data			
Type	I _{max}	Order No.	Pcs. / Pkt.
UT 4-MTD-DIO/L-R		3046210	50
UT 4-MTD-DIO/R-L		3046236	50

Accessories ²⁾		
D-UT 2,5/4-TWIN	3047141	50
DS-UT 2,5/4	3047109	50
FBS 2-6	3030336	50
FBS 3-6	3030242	50
FBS 4-6	3030255	50
FBS 5-6	3030349	50
FBS 10-6	3030271	10
FBS 20-6	3030365	10
ATP-UT-TWIN	3047183	50
PAI-4-N GY	3032871	10
MPS-MT	0201744	10
MPS-IH RD	0201676	10
PS-6	3030996	10
WS UT 4	3047332	10
SF-SL 0,6X3,5-100 S-VDE	1212587	10

Accessories ²⁾		
ATP-UT-TWIN	3047183	50
WS UT 4	3047332	10
SF-SL 0,6X3,5-100 S-VDE	1212587	10

Accessories ²⁾			
D-UT 2,5/4-TWIN		3047141	50
DS-UT 2,5/4		3047109	50
FBS 2-6	32 A	3030336	50
FBS 3-6	32 A	3030242	50
FBS 4-6	32 A	3030255	50
FBS 5-6	32 A	3030349	50
FBS 10-6	32 A	3030271	10
FBS 20-6	32 A	3030365	10
ATP-UT-TWIN		3047183	50
PAI-4-N GY		3032871	10
MPS-MT		0201744	10
MPS-IH RD		0201676	10
PS-6		3030996	10
WS UT 4		3047332	10
SF-SL 0,6X3,5-100 S-VDE		1212587	10

UC-TM 6, UCT-TM 6 or ZB 6 (see Catalog 5)

UC-TM 6, UCT-TM 6 or ZB 6 (see Catalog 5)

UC-TM 6, UCT-TM 6 or ZB 6 (see Catalog 5)

UT screw connection terminal blocks

UTT 4...-TG/-MT double-level knife disconnect terminal blocks



- Same shape as UTTB ... double-level feed-through terminal blocks
- In the standardized disconnect zone in the upper level, an isolating plug, component plug or fuse plug for 5 x 20 mm glass tube fuses can be used as an alternative
- Double function shaft in lower level
- Loop in measurement equipment via connection screws with integrated test socket
- Interrupt-free voltage and current measurement on both levels

UTT 4-MT...LA...

- LED version for signaling the switching states

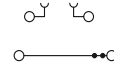
Offset levels

Offset levels provide:

- Unobstructed access to the lower connection level if fully wired
- Better view of the lower labeling signs and conductor entry funnel



Notes:
1) Observe max. load current.
2) Observe max. load current, depending on the power dissipation of the components. Max. 0.5 W with single arrangement.
3) For max. power dissipation, see page 724.
4) Current and voltage are determined by the plug used.
5) Lower level
6) Also see page 480.



4 (6) mm², 20 A, double-level terminal block with disconnect zone



Dimensions		[mm]	
Max. electrical data			
Rated data, lower level			
Rated voltage	[V]	500*	300
Nominal current / cross section	[A] / [mm ²]	30* / 4	30 / -
Rated cross section	[mm ²]	4	-
Cross section range	AWG	26 - 10	26-10
Rated data, upper level			
Rated voltage	[V]	500	300
Nominal current / cross section	[A] / [mm ²]	20 / 2.5	16 / -
Rated cross section	[mm ²]	4	-
Cross section range	AWG	26 - 10	26-10
Connection capacity			
1 conductor	[mm ²]	0.14 - 6	0.14 - 6
Two conductors (of the same type)	[mm ²]	0.14 - 1.5	0.14 - 1.5
Two stranded conductors with a TWIN ferrule	[mm ²]		0.14 - 1.5
General data			
Stripping length	[mm]	9	
Screw thread		M3	
Tightening torque	[Nm]	0,6 - 0,8	
Insulating material		PA	
Inflammability class according to UL 94		V0	

Technical data				
Width	Length	Height NS 35/7,5		
6.2	69.9	65		
I _{max} [A]	U _{max} [V]	max. Ø [mm ²]	AWG	
38 ²)	500 ⁴)	0.14 - 6	26 - 10	
IEC 60947-7-1				
IEC	UL/CUL	CSA	IEC/EN 60079-7	
500 ⁴)	300	300	-	
30* / 4	30 / -	30 / -	-	
4	-	-	-	
26 - 10	26-10	26-10	-	
IEC				
UL/CUL	CSA	IEC/EN 60079-7		
500	300	300	-	
20 / 2.5	16 / -	5 / -	-	
4	-	-	-	
26 - 10	26-10	26-10	-	
Connection capacity				
solid	stranded	Ferrule		
		Without / with plastic sleeve		
0.14 - 6	0.14 - 6	0.14 - 4	0.14 - 4	
0.14 - 1.5	0.14 - 1.5	0.14 - 1.5	-	
		0.5 - 2.5		

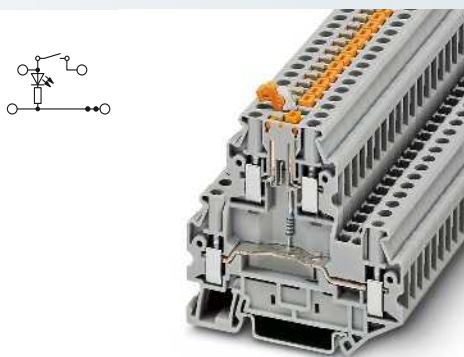
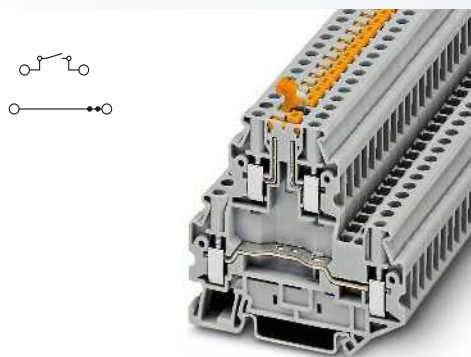
Description	No. of pos.	Color
Disconnect terminal block , for mounting on NS 35...		gray
Knife disconnect terminal block , for mounting on NS 35...		gray
With test socket screws		gray
Knife disconnect terminal block , for assembly on NS 35..., with light indicator for 12 - 30 V DC, 0,7 - 2,4 mA		gray

Ordering data			
Type	I _{max}	Order No.	Pcs. / Pkt.
UTT 4-TG		3044720	50

Cover , width 2.2 mm		gray
Spacer plate , compensates for level offsets, width 2.5 mm		gray
Plug-in bridge		
	2	red
	3	red
	4	red
	5	red
	10	red
	20	red
Switching lock , plug-in ⁶)		white
Partition plate , 2,2 mm wide		gray
Isolating plug ¹)		orange
Feed-through connector ¹)		gray
Component plug , labeled with ZBF 5 or UC-TMF 5 ²)		gray
Fuse plug , width 6.2 mm ³)		black
Screwdriver		

Accessories			
D-UTT 2,5/4		3047293	50
DP-UTT 2,5/4		3047303	50
FBS 2-6	30 A	3030336	50
FBS 3-6	30 A	3030242	50
FBS 4-6	30 A	3030255	50
FBS 5-6	30 A	3030349	50
FBS 10-6	30 A	3030271	10
FBS 20-6	30 A	3030365	10
ATP-UTT 2,5/4		3047316	50
P-DI		3036783	50
P-FIX		3038956	50
P-CO		3036796	10
P-FU 5X20		3036806	10
SF-SL 0,6X3,5-100 S-VDE		1212587	10

Lateral groove labeling
UC-TM 6, UCT-TM 6 or ZB 6 (see Catalog 5)



4 (6) mm², 20 A, double-level knife disconnect terminal block

4 (6) mm², 20 A, double-level knife disconnect terminal block, with LED, test socket screw



Technical data			
Width	Length	Height NS 35/7,5	
6.2	69.9	65	
I_{max} [A]	U_{max} [V]	max. Ø [mm ²]	AWG
38 ⁵)	500	0.14 - 6	26 - 10
IEC 60947-7-1			
IEC	UL/CUL	CSA	IEC/EN 60079-7
500	300	300	-
30 / 4	30 / -	30 / -	-
4	-	-	-
26 - 10	26-10	26-10	-
IEC UL/CUL CSA IEC/EN 60079-7			
500	300	300	-
20 / 2.5	16 / -	5 / -	-
4	-	-	-
26 - 10	26-10	26-10	-
solid	stranded	Ferrule Without / with plastic sleeve	
0.14 - 6	0.14 - 6	0.14 - 4	0.14 - 4
0.14 - 1.5	0.14 - 1.5	0.14 - 1.5	-
			0.5 - 2.5
9			
M3			
0.6 - 0.8			
PA			
V0			

Technical data			
Width	Length	Height NS 35/7,5	
6.2	69.9	65	
I_{max} [A]	U_{max} [V]	max. Ø [mm ²]	AWG
38 ⁵)	24	0.14 - 6	26 - 10
IEC 60947-7-1			
IEC	UL/CUL	CSA	IEC/EN 60079-7
24	300	24	-
30 / 4	30 / -	30 / -	-
4	-	-	-
26 - 10	26-10	26-10	-
IEC UL/CUL CSA IEC/EN 60079-7			
24	300	24	-
20 / 2.5	16 / -	5 / -	-
4	-	-	-
26 - 10	26-10	26-10	-
solid	stranded	Ferrule Without / with plastic sleeve	
0.14 - 6	0.14 - 6	0.14 - 4	0.14 - 4
0.14 - 1.5	0.14 - 1.5	0.14 - 1.5	-
			0.5 - 2.5
9			
M3			
0.6 - 0.8			
PA			
V0			

Ordering data			
Type	I_{max}	Order No.	Pcs. / Pkt.
UTTB 4-MT		3044775	50
UTTB 4-MT P/P		3044762	50

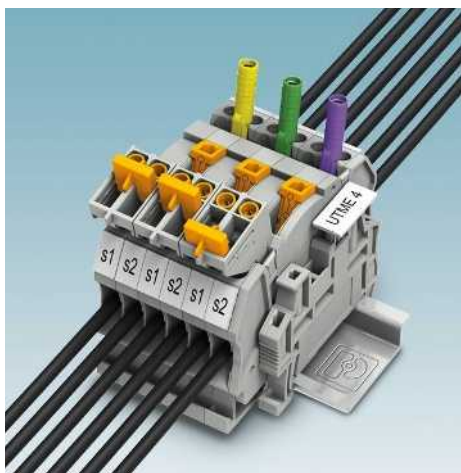
Ordering data			
Type	I_{max}	Order No.	Pcs. / Pkt.
UTTB 4-MT P/P LA 24 RD/O-U		3046773	50

Accessories			
D-UTTB 2,5/4		3047293	50
DP-UTTB 2,5/4		3047303	50
FBS 2-6	30 A	3030336	50
FBS 3-6	30 A	3030242	50
FBS 4-6	30 A	3030255	50
FBS 5-6	30 A	3030349	50
FBS 10-6	30 A	3030271	10
FBS 20-6	30 A	3030365	10
S-MT		3247954	50
ATP-UTTB 2,5/4		3047316	50
SZG 0,6X3,5 VDE		1205121	10
UC-TM 6, UCT-TM 6 or ZB 6 (see Catalog 5)			

Accessories			
D-UTTB 2,5/4		3047293	50
DP-UTTB 2,5/4		3047303	50
FBS 2-6	30 A	3030336	50
FBS 3-6	30 A	3030242	50
FBS 4-6	30 A	3030255	50
FBS 5-6	30 A	3030349	50
FBS 10-6	30 A	3030271	10
FBS 20-6	30 A	3030365	10
S-MT		3247954	50
ATP-UTTB 2,5/4		3047316	50
SF-SL 0,6X3,5-100 S-VDE		1212587	10
UC-TM 6, UCT-TM 6 or ZB 6 (see Catalog 5)			

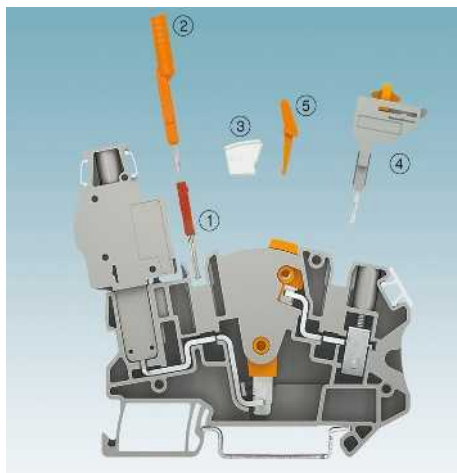
UT screw connection terminal blocks

UTME ... screw connection - test disconnect, feed-through, and ground terminal blocks

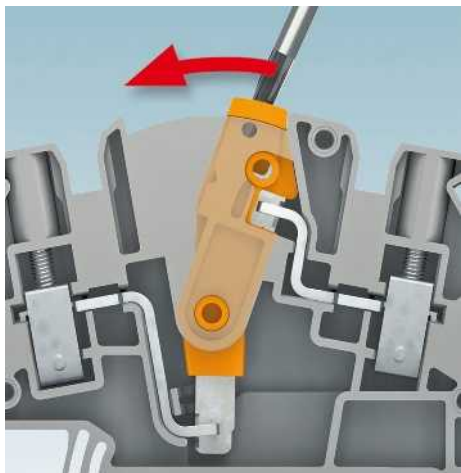


The latest generation of test disconnect terminal blocks with screw connection technology offer the following features:

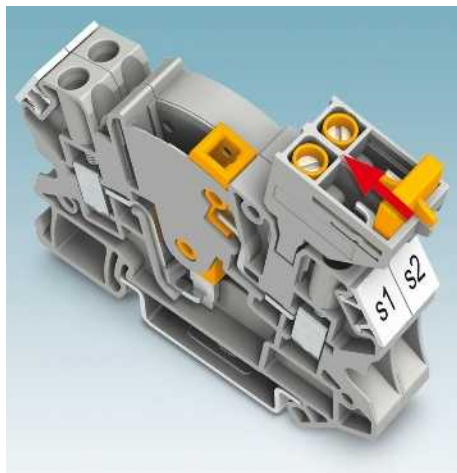
- Compact design
- Easy operation
- Two function shafts
- Clear arrangement
- Flexible and comprehensive accessories
- Feed-through and ground terminal blocks of the same shape are available



- Only two UTME 4 test disconnect terminal blocks are required for a current transformer measuring circuit
 - Less space required compared to creating circuits with slide-type terminal blocks
- ① FBS... plug-in bridge for cross connection
 - ② 4 mm Ø PAI-4-FIX... test plug adapter
 - ③ S-ME 4 switching lock
 - ④ SB-ME... switching jumper
 - ⑤ C-ME 4/2 connection bridge



- Reliable contacting and latching of the longitudinal isolating switch in the relevant switching state
- Clear selection thanks to printed switching symbols
- Unintentional switching prevented by means of optional switching lock
- Two or three switches can be actuated at the same time using a connection bridge



- SB-ME ... switching jumpers can be positioned and latched on both sides of the disconnect point in the bridge shaft
- Reliably snapped into the end positions
- Contact made via screw terminal points

Notes:

For current carrying capacity of DIN rails, see page 716.

For further plug-in bridges, see page 472.

For further test adapters, see page 479.

Dimensions

[mm]

Max. electrical data

Rated data

Rated voltage	[V]
Nominal current / cross section	[A] / [mm ²]
Rated cross section	[mm ²]
Cross section range	AWG

Connection capacity

1 conductor	[mm ²]
Two conductors (of the same type)	[mm ²]
Two stranded conductors with a TWIN ferrule	[mm ²]

General data

Stripping length	[mm]
Screw thread	
Tightening torque	[Nm]
Insulating material	
Inflammability class according to UL 94	

Description	No. of pos.	Color
Test disconnect terminal block , for mounting on NS 35		gray
With test socket screws		gray
With test socket screws		blue
Feed-through terminal block , for mounting on NS 35...		gray
Ground terminal block , for mounting on NS 35...		green-yellow

Cover, width 2.2 mm gray

Switching jumper , plug-in		
	2	gray/orange
	3	gray/orange
	4	gray/orange

Plug-in bridge		
	2	red
	3	red
	4	red
	5	red
	20	red

Switching lock, plug-in white

Connection bridge, for connecting two test disconnect terminal blocks orange

3-pos. orange

Test adapter, for 4 mm Ø safety test plugs, latches into the bridge shaft orange

yellow

green

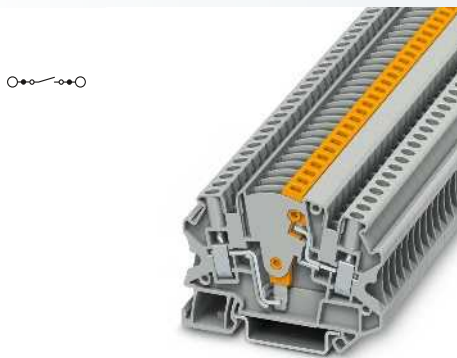
violet

black

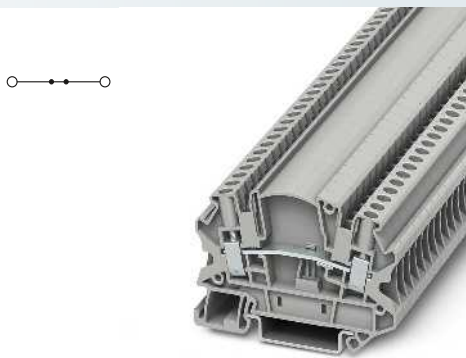
Modular test plug, for the individual assembly of test plug strips red

Screwdriver

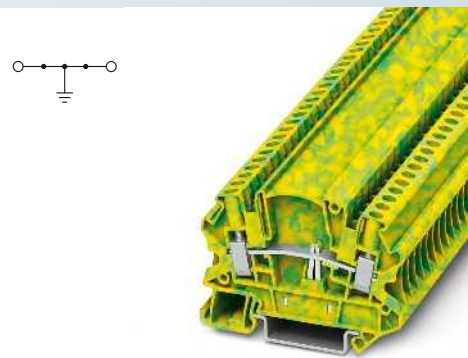
Lateral groove labeling



4 (6) mm², 28 A, test disconnect terminal block



4 (6) mm², 28 A, feed-through terminal block, same shape



4 (6) mm², ground terminal block, same shape



Technical data			
Width	Length	Height NS 35/7,5	
6.2	66	49.5	
I_{max} [A]	U_{max} [V]	max. Ø [mm ²]	AWG
28	500	0.14 - 6	26 - 10
IEC 60947-7-1			
IEC	UL/CUL	CSA	IEC/EN 60079-7
500	600	600	-
28 / 4	25 / -	25	-
4	-	-	-
26 - 10	26-10	26-10	-
solid	stranded	Ferrule	
Without / with plastic sleeve			
0.14 - 6	0.14 - 6	0.14 - 4	0.14 - 4
0.14 - 1.5	0.14 - 1.5	0.14 - 1.5	-
0.5 - 2.5			
9			
M3			
0.6 - 0.8			
PA			
V0			

Technical data			
Width	Length	Height NS 35/7,5	
6.2	66	47.7	
I_{max} [A]	U_{max} [V]	max. Ø [mm ²]	AWG
32	500	0.14 - 6	26 - 10
IEC 60947-7-1			
IEC	UL/CUL	CSA	IEC/EN 60079-7
500	600	600	-
32 / 4	25 / -	25	-
4	-	-	-
26 - 10	26-10	26-10	-
solid	stranded	Ferrule	
Without / with plastic sleeve			
0.14 - 6	0.14 - 6	0.14 - 4	0.14 - 4
0.14 - 1.5	0.14 - 1.5	0.14 - 1.5	-
0.5 - 2.5			
9			
M3			
0.6 - 0.8			
PA			
V0			

Technical data			
Width	Length	Height NS 35/7,5	
6.2	66	47.7	
		max. Ø [mm ²]	AWG
		0.14 - 6	26 - 10
IEC 60947-7-2			
IEC	UL/CUL	CSA	IEC/EN 60079-7
-	-	-	-
-	- / -	-	-
4	-	-	-
26 - 10	26-10	26-10	-
solid	stranded	Ferrule	
Without / with plastic sleeve			
0.14 - 6	0.14 - 6	0.14 - 4	0.14 - 4
0.14 - 1.5	0.14 - 1.5	0.14 - 1.5	-
0.5 - 2.5			
9			
M3			
0.6 - 0.8			
PA			
V0			

Ordering data			
Type	I_{max}	Order No.	Pcs. / Pkt.
UTME 4		3047452	50
UTME 4-P/P		3047453	50
UTME 4-P/P BU		3047454	50

Ordering data			
Type	I_{max}	Order No.	Pcs. / Pkt.
UTMED 4		3047465	50

Ordering data			
Type	Order No.	Pcs. / Pkt.	
UTMED 4-PE	3047478	50	

Accessories			
D-UTME 4		3047491	10
SB-ME 2-6	25 A	3035755	10
SB-ME 3-6	25 A	3035756	10
SB-ME 4-6	25 A	3035757	10
FBS 2-6	32 A	3030336	50
FBS 3-6	32 A	3030242	50
FBS 4-6	32 A	3030255	50
FBS 5-6	32 A	3030349	50
FBS 20-6	32 A	3030365	10
S-ME 4		3035758	10
C-ME 4/2		3035759	10
C-ME 4/3		3035760	10
PAI-4-FIX-5/6 OG		3035974	10
PAI-4-FIX-5/6 YE		3035977	10
PAI-4-FIX-5/6 GN		3035978	10
PAI-4-FIX-5/6 VT		3035979	10
PAI-4-FIX-5/6 BK		3035980	10
PS-6		3030996	10
SZF 1-0,6X3,5		1204517	10

Accessories			
D-UTME 4		3047491	10
SB-ME 2-6	25 A	3035755	10
SB-ME 3-6	25 A	3035756	10
SB-ME 4-6	25 A	3035757	10
FBS 2-6	32 A	3030336	50
FBS 3-6	32 A	3030242	50
FBS 4-6	32 A	3030255	50
FBS 5-6	32 A	3030349	50
FBS 20-6	32 A	3030365	10
PAI-4-FIX-5/6 OG		3035974	10
PAI-4-FIX-5/6 YE		3035977	10
PAI-4-FIX-5/6 GN		3035978	10
PAI-4-FIX-5/6 VT		3035979	10
PAI-4-FIX-5/6 BK		3035980	10
PS-6		3030996	10
SZF 1-0,6X3,5		1204517	10

Accessories			
D-UTME 4		3047491	10
SB-ME 2-6		3035755	10
SB-ME 3-6		3035756	10
SB-ME 4-6		3035757	10
FBS 2-6		3030336	50
FBS 3-6		3030242	50
FBS 4-6		3030255	50
FBS 5-6		3030349	50
FBS 20-6		3030365	10
PAI-4-FIX-5/6 OG		3035974	10
PAI-4-FIX-5/6 YE		3035977	10
PAI-4-FIX-5/6 GN		3035978	10
PAI-4-FIX-5/6 VT		3035979	10
PAI-4-FIX-5/6 BK		3035980	10
PS-6		3030996	10
SZF 1-0,6X3,5		1204517	10

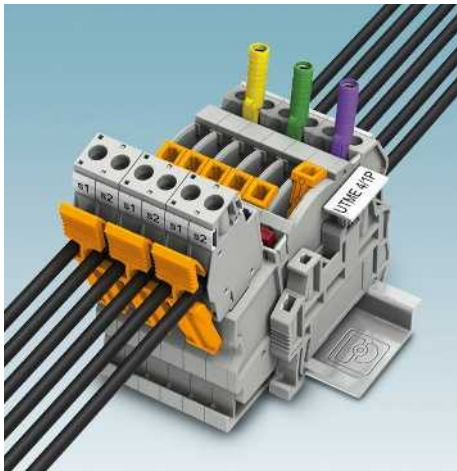
UC-TM 6, UCT-TM 6 or ZB 6 (see Catalog 5)

UC-TM 6, UCT-TM 6 or ZB 6 (see Catalog 5)

UC-TM 6, UCT-TM 6 or ZB 6 (see Catalog 5)

UT screw connection terminal blocks

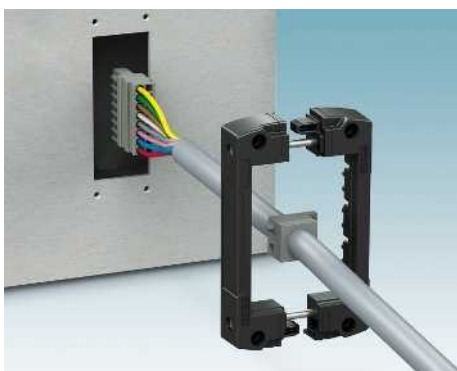
UTME 4/1P plug-in test disconnect terminal blocks



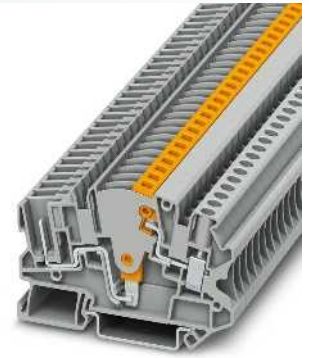
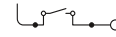
- The COMBI system offers the highest levels of protection for users, as both the basic terminal blocks and the plugs are touch proof. Alongside the safety aspect, this offers great flexibility for configuration work: the supply may be routed via the terminal blocks or the plugs
- Thanks to the straightforward, custom coding option, wiring reliability is increased and incorrect connections are avoided
- Strain relief can be snapped on
- Latching fixes connectors to basic terminal blocks

Cable entry system

- The CES cable entry system (see Catalog 4) enables the easy and space-saving installation of pre-assembled cables with IP54/IP65 protection in the control cabinet, see figure below



Notes:
For corresponding AP-ME and AH-ME terminal strip covers, see Catalog 5.
1) For derating curve, visit www.phoenixcontact.net/products



4 (6) mm², 28 A, test disconnect terminal block



Dimensions	
	[mm]
Max. electrical data	
Rated voltage	[V]
Nominal current / cross section	[A] / [mm ²]
Rated cross section	[mm ²]
Cross section range	AWG
Connection capacity	
1 conductor	[mm ²]
Two conductors (of the same type)	[mm ²]
Two stranded conductors with a TWIN ferrule	[mm ²]
General data	
Stripping length	[mm]
Screw thread	
Tightening torque	[Nm]
Insulating material	
Inflammability class according to UL 94	

Technical data				
Width	Length	Height NS 35/7.5		
6.2	71.1	49.5		
I _{max} [A]	U _{max} [V]	max. Ø [mm ²]	AWG	
28 ¹⁾	500	0.14 - 6	26 - 10	
IEC 61984				
IEC	UL/CUL	CSA	IEC/EN 60079-7	
500	600	600	-	
28 ¹⁾ / 4	25 / -	25	-	
4	-	-	-	
26 - 10	26-10	26-10	-	
solid	stranded		Ferrule	
			Without / with plastic sleeve	
0.14 - 6	0.14 - 4	0.14 - 4	0.14 - 4	
0.14 - 1.5	0.14 - 1.5	0.14 - 1.5	-	
			0.5 - 2.5	
9				
M3				
0.6 - 0.8				
PA				
V0				

Description	No. of pos.	Color
Terminal block, for mounting on NS 35...		gray

Ordering data			
Type	I _{max}	Order No.	Pcs. / Pkt.
UTME 4/1P		3057416	50

Accessories		
Cover , width 2.2 mm		gray
Switching jumper , plug-in		
	2	gray/orange
	3	gray/orange
	4	gray/orange
Plug-in bridge		
	2	red
	3	red
	4	red
	5	red
	10	red
	20	red
Switching lock , plug-in		white
Connection bridge , for connecting two test disconnect terminal blocks		orange
3-pos.		orange
Test adapter , for 4 mm Ø safety test plugs, latches into the bridge shaft		orange
		yellow
		green
		violet
		black
		blue
		red
		gray
		brown
Modular test plug , for the individual assembly of test plug strips		red
Coding star , with 4 coding branches, can be inserted in all basic terminal blocks		red
Screwdriver		
Lateral groove labeling		

Accessories			
D-UTME 4/1P		Order No.	Pcs. / Pkt.
D-UTME 4/1P		3057429	10
SB-ME 2-6	28 A	3035755	10
SB-ME 3-6	28 A	3035756	10
SB-ME 4-6	28 A	3035757	10
FBS 2-6	32 A	3030336	50
FBS 3-6	32 A	3030242	50
FBS 4-6	32 A	3030255	50
FBS 5-6	32 A	3030349	50
FBS 10-6	32 A	3030271	10
FBS 20-6	32 A	3030365	10
S-ME 4		3035758	10
C-ME 4/2		3035759	10
C-ME 4/3		3035760	10
PAI-4-FIX-5/6 OG		3035974	10
PAI-4-FIX-5/6 YE		3035977	10
PAI-4-FIX-5/6 GN		3035978	10
PAI-4-FIX-5/6 VT		3035979	10
PAI-4-FIX-5/6 BK		3035980	10
PAI-4-FIX-5/6 BU		3035975	10
PAI-4-FIX-5/6 RD		3035976	10
PAI-4-FIX-5/6 GD		3035982	10
PAI-4-FIX-5/6 BN		3035981	10
PS-6		3030996	10
PC		3040588	50
SZF 1-0,6X3,5		1204517	10
UC-TM 6, UCT-TM 6 or ZB 6 (see Catalog 5)			

COMBI plugs with a screw connection

- Connector with two conductor connection directions
- UPBV... can be bridged
- Strain relief and connector latching can be snapped on as an option

Notes:
For self-assembly connectors, see page 410.
¹⁾ For derating curve, visit www.phoenixcontact.net/products



4 (6) mm², 32 A, plug, connection at a right angle to the plug-in direction, can be bridged



4 (6) mm², 32 A, plug, connection in plug-in direction, cannot be bridged



Technical data				
Width	Length	Height	Height when plugged in	
6.2 x No. of pos.	22	48.5	32.2	
I _{max} [A]	U _{max} [V]	max. Ø [mm ²]	AWG	
32 ¹⁾	800	0.14 - 6	26 - 10	
IEC 61984	UL/CUL	CSA	IEC/EN 60079-7	
800	600	600	-	
32 ¹⁾ / 4	30 / -	30	-	
4	-	-	-	
26 - 10	26-10	26-10	-	
Connection capacity		Ferrule		
		Without / with plastic sleeve		
1 conductor	[mm ²]	0.14 - 6	0.14 - 6	0.14 - 4
Two conductors (of the same type)	[mm ²]	0.14 - 1.5	0.14 - 1.5	0.14 - 1.5
Two stranded conductors with a TWIN ferrule	[mm ²]			0.5 - 1
Stripping length	[mm]	9		
Screw thread		M3		
Tightening torque	[Nm]	0.6 - 0.8		
Insulating material		PA		
Inflammability class according to UL 94		V0		



Technical data				
Width	Length	Height	Height when plugged in	
6.2 x No. of pos.	21	41.2	24.8	
I _{max} [A]	U _{max} [V]	max. Ø [mm ²]	AWG	
32 ¹⁾	800	0.14 - 6	24 - 10	
IEC 61984	UL/CUL	CSA	IEC/EN 60079-7	
800	600	600	-	
32 ¹⁾ / 4	30 / -	30	-	
4	-	-	-	
24 - 10	26-10	26-10	-	
Connection capacity		Ferrule		
		Without / with plastic sleeve		
1 conductor	[mm ²]	0.14 - 6	0.14 - 6	0.14 - 4
Two conductors (of the same type)	[mm ²]	0.14 - 1.5	0.14 - 1.5	0.14 - 1.5
Two stranded conductors with a TWIN ferrule	[mm ²]			0.5 - 1.5
Stripping length	[mm]	9		
Screw thread		M3		
Tightening torque	[Nm]	0.6 - 0.8		
Insulating material		PA		
Inflammability class according to UL 94		V0		

Ordering data						
Description	No. of pos.	Color	Type	I _{max}	Order No.	Pcs. / Pkt.
COMBI plug, with a screw connection						
	1	gray	UPBV 4/ 1		3045800	50
	2	gray	UPBV 4/ 2		3045813	50
	3	gray	UPBV 4/ 3		3045826	50
	4	gray	UPBV 4/ 4		3045839	50
	5	gray	UPBV 4/ 5		3045842	50
	6	gray	UPBV 4/ 6		3045855	25
	7	gray	UPBV 4/ 7		3045868	25
	8	gray	UPBV 4/ 8		3045871	25
	9	gray	UPBV 4/ 9		3045884	25
	10	gray	UPBV 4/10		3045897	25
	11	gray	UPBV 4/11		3045907	10
	12	gray	UPBV 4/12		3045910	10
	13	gray	UPBV 4/13		3045923	10
	14	gray	UPBV 4/14		3045936	10
	15	gray	UPBV 4/15		3045949	10
	1	blue	UPBV 4/ 1 BU		3045266	50
	1	green-yellow	UPBV 4/ 1 GNYE		3045279	50

Ordering data						
Description	No. of pos.	Color	Type	I _{max}	Order No.	Pcs. / Pkt.
COMBI plug, with a screw connection						
	1	gray	UP 4/ 1		3060115	50
	2	gray	UP 4/ 2		3060128	50
	3	gray	UP 4/ 3		3060131	50
	4	gray	UP 4/ 4		3060144	50
	5	gray	UP 4/ 5		3060157	50
	6	gray	UP 4/ 6		3060160	25
	7	gray	UP 4/ 7		3060173	25
	8	gray	UP 4/ 8		3060186	25
	9	gray	UP 4/ 9		3060199	25
	10	gray	UP 4/10		3060209	25
	11	gray	UP 4/11		3060212	10
	12	gray	UP 4/12		3060225	10
	13	gray	UP 4/13		3060238	10
	14	gray	UP 4/14		3060241	10
	15	gray	UP 4/15		3060254	10
	1	blue	UP 4/ 1 BU		3045282	50
	1	green-yellow	UP 4/ 1 GNYE		3045295	50

Accessories						
Description	No. of pos.	Color	Type	I _{max}	Order No.	Pcs. / Pkt.
Plug-in bridge						
	2	red	FBS 2-6	27 A	3030336	50
	3	red	FBS 3-6	27 A	3030242	50
	4	red	FBS 4-6	27 A	3030255	50
	5	red	FBS 5-6	27 A	3030349	50
	10	red	FBS 10-6	27 A	3030271	10
	20	red	FBS 20-6	27 A	3030365	10
Strain relief, for UPBV... connectors, 2-pos.						
		black	UPZ/ 2		3045554	50
Latching, for connectors, 1-pos.						
	2-pos.	orange	UPR/ 2		3045567	50
Latching and strain relief, for UPBV.... connectors, 2-pos.						
		orange	UPRZ		3045570	50

Accessories						
Description	No. of pos.	Color	Type	I _{max}	Order No.	Pcs. / Pkt.
Plug-in bridge						
Strain relief, for UPBV... connectors, 2-pos.						
		black	PZ/ 2		3040627	50
Latching, for connectors, 1-pos.						
	2-pos.	orange	PR		3040559	50
Latching and strain relief, for UPBV.... connectors, 2-pos.						
		orange	PR/ 2		3040630	50
		orange	PRZ		3040614	50

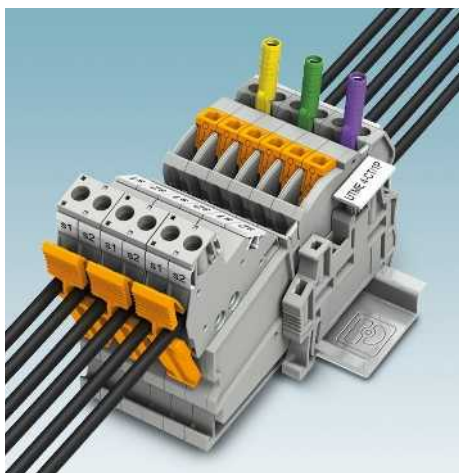
UC-TMF 6, UCT-TMF 6 or ZBF 6 (see Catalog 5)
--

UC-TMF 6, UCT-TMF 6 or ZBF 6 (see Catalog 5)
--

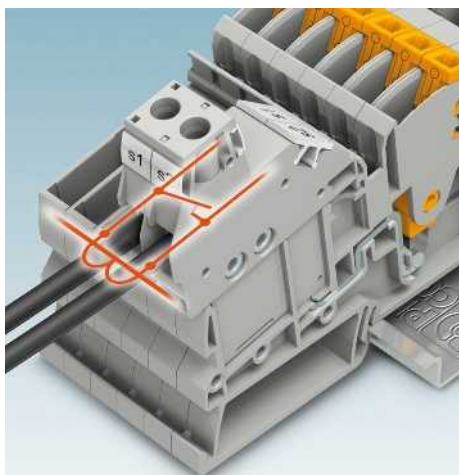
UC-TMF 6, UCT-TMF 6 or ZBF 6 (see Catalog 5)
--

UT screw connection terminal blocks

UTME 4-CT... plug-in current transformer disconnect terminal blocks with automatic short-circuit function

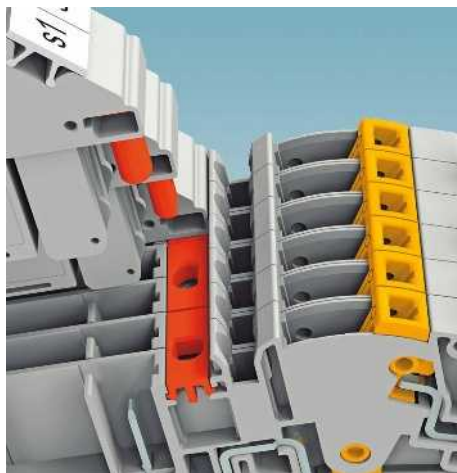


- The terminal block with patented short-circuit plug is particularly convenient and safe. If the connector is removed, an advanced short circuit occurs automatically.
- Connected measuring transducers are automatically protected against damage



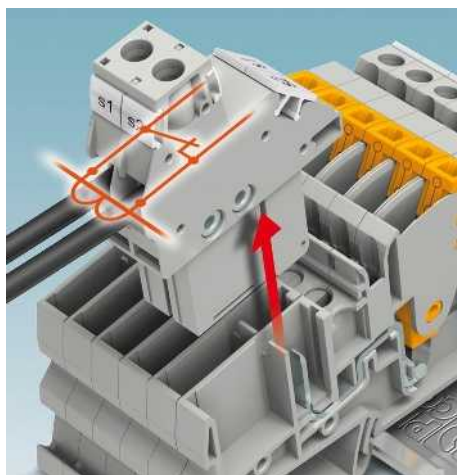
Function:

- Connector inserted - no short circuit



Easy and safe coding

- Both connector versions can be reliably protected against polarity reversal using a snap-in coding profile
- The short-circuit plugs are available in a 2- and 3-pos. version
- Strain relief and connector latching can be snapped on as an option



Function:

- Connector removed - automatic, leading short circuit

Notes:

For further test adapters, see page 479.

For corresponding AP-ME and AH-ME terminal strip covers, see Catalog 5.

¹⁾ For derating curve, visit www.phoenixcontact.net/products

Dimensions

[mm]

Max. electrical data

Rated data

Rated voltage	[V]
Nominal current / cross section	[A] / [mm ²]
Rated cross section	[mm ²]
Cross section range	AWG

Connection capacity

1 conductor	[mm ²]
Two conductors (of the same type)	[mm ²]
Two stranded conductors with a TWIN ferrule	[mm ²]

General data

Stripping length	[mm]
Screw thread	
Tightening torque	[Nm]
Insulating material	
Inflammability class according to UL 94	

Description	No. of pos.	Color
Terminal block, for mounting on NS 35...		gray
COMBI plug, with integrated short-circuit function, 2-pos.		gray
3-pos.		gray

Cover, width 2.2 mm		gray
---------------------	--	------

Plug-in bridge	No. of pos.	Color
	2	red
	3	red
	4	red
	5	red
	10	red
	20	red

Switching lock, plug-in		white
-------------------------	--	-------

Connection bridge, for connecting two test disconnect terminal blocks 3-pos.		orange
--	--	--------

Test adapter, for 4 mm Ø safety test plugs, latches into the bridge shaft		orange
---	--	--------

Modular test plug, for the individual assembly of test plug strips		yellow
--	--	--------

		red
--	--	-----

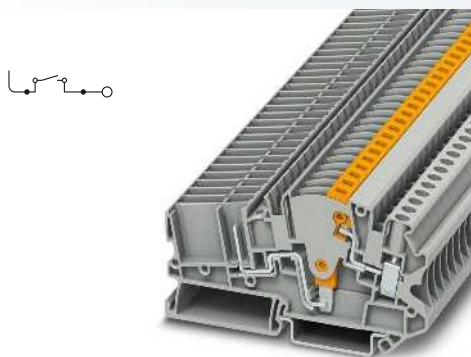
Strain relief, for UPBV... connectors, 2-pos.		black
---	--	-------

Coding profile, for 2-pos. plug		red
For 3-pos. plugs		red

Screwdriver

Lateral groove labeling

Lateral groove labeling



4 (6) mm², 28 A, current transformer disconnect terminal block



4 (6) mm², 20 A, plug, with integrated short-circuit function, 2-pos.



4 (6) mm², 20 A, plug, with integrated short-circuit function, 3-pos.



Technical data			
Width	Length	Height NS 35/7,5	
6.2	86.5	49.5	
I_{max} [A]	U_{max} [V]	max. Ø [mm ²]	AWG
28	500	0.14 - 6	26 - 10
IEC 61984			
IEC	UL/CUL	CSA	IEC/EN 60079-7
500	600	600	-
28*) / 4	25 / -	25	-
4	-	-	-
26 - 10	26-10	26-10	-
solid	stranded	Ferrule Without / with plastic sleeve	
0.14 - 6	0.14 - 4	0.14 - 4	0.14 - 4
0.14 - 1.5	0.14 - 1.5	0.14 - 1.5	-
			0.5 - 2.5
9	M3	0.6 - 0.8	PA
			V0

Technical data			
Width	Length	Height NS 35/7,5	
12.4	38.5	-	
I_{max} [A]	U_{max} [V]	max. Ø [mm ²]	AWG
20	320	0.14 - 6	26 - 10
IEC 61984			
IEC	UL/CUL	CSA	IEC/EN 60079-7
320	300	300	-
20 / 4	25 / -	25	-
4	-	-	-
26 - 10	26-10	26-10	-
solid	stranded	Ferrule Without / with plastic sleeve	
0.14 - 6	0.14 - 6	0.14 - 4	0.14 - 4
0.14 - 1.5	0.14 - 1.5	0.14 - 1.5	-
			0.5 - 1
9	M3	0.6 - 0.8	PA
			V0

Technical data			
Width	Length	Height NS 35/7,5	
18.6	38.5	-	
I_{max} [A]	U_{max} [V]	max. Ø [mm ²]	AWG
20	320	0.14 - 6	26 - 10
IEC 61984			
IEC	UL/CUL	CSA	IEC/EN 60079-7
320	300	300	-
20 / 4	25 / -	25	-
4	-	-	-
26 - 10	26-10	26-10	-
solid	stranded	Ferrule Without / with plastic sleeve	
0.14 - 6	0.14 - 6	0.14 - 4	0.14 - 4
0.14 - 1.5	0.14 - 1.5	0.14 - 1.5	-
			0.5 - 1
9	M3	0.6 - 0.8	PA
			V0

Ordering data			
Type	I_{max}	Order No.	Pcs. / Pkt.
UTME 4-CT/1P		3057432	50

Ordering data			
Type		Order No.	Pcs. / Pkt.
UPCT 4/2		3057461	10

Ordering data			
Type		Order No.	Pcs. / Pkt.
UPCT 4/3		3057458	10

Accessories			
D-UTME 4-CT/1P		3057445	10
FBS 2-6	32 A	3030336	50
FBS 3-6	32 A	3030242	50
FBS 4-6	32 A	3030255	50
FBS 5-6	32 A	3030349	50
FBS 10-6	32 A	3030271	10
FBS 20-6	32 A	3030365	10
S-ME 4		3035758	10
C-ME 4/2		3035759	10
C-ME 4/3		3035760	10
PAI-4-FIX-5/6 OG		3035974	10
PAI-4-FIX-5/6 YE		3035977	10
PS-6		3030996	10
SZF 1-0,6X3,5		1204517	10

Accessories			
UPZ/ 2		3045554	50
PC-CT/2		3032855	1
SZF 1-0,6X3,5		1204517	10

Accessories			
UPZ/ 2		3045554	50
PC-CT/3		3032868	1
SZF 1-0,6X3,5		1204517	10

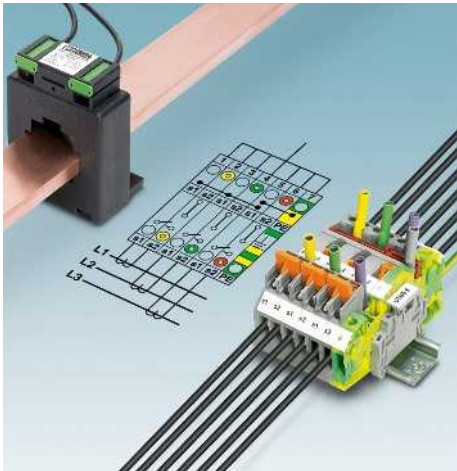
UC-TM 6, UCT-TM 6 or ZB 6
(see Catalog 5)

UC-TM 6, UCT-TM 6 or ZB 6
(see Catalog 5)
UC-TMF 6, UCT-TMF 6 or ZBF 6
(see Catalog 5)

UC-TM 6, UCT-TM 6 or ZB 6
(see Catalog 5)
UC-TMF 6, UCT-TMF 6 or ZBF 6
(see Catalog 5)

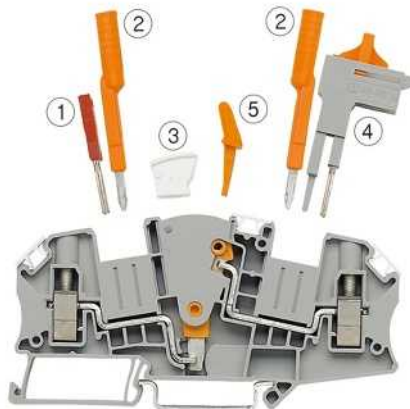
UT screw connection terminal blocks

UTME 6 test disconnect terminal blocks

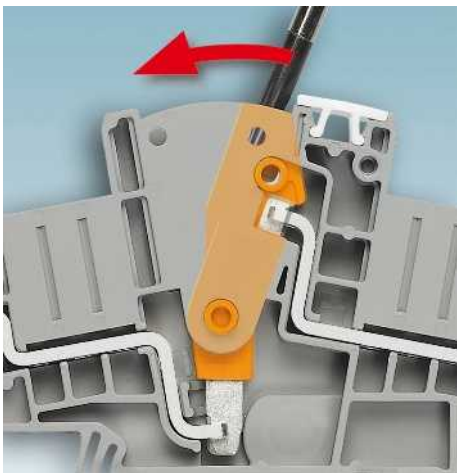


The latest generation of test disconnect terminal blocks with screw connection offer the following features:

- Compact design
- Easy operation
- Six function shafts
- Clear arrangement
- Flexible and comprehensive accessories
- Feed-through terminal block of the same shape available



- Only two UTME 6 test disconnect terminal blocks are required for a current transformer measuring circuit
- Less space required compared to creating circuits with slide-type terminal blocks
- ① FBS... plug-in bridge for cross connection
- ② 4 mm Ø PAI-4-FIX... test plug adapter
- ③ S-ME 6 switching lock
- ④ SB-ME... switching jumper
- ⑤ C-ME 6/2 connection bridge



- Reliable contacting and latching of the longitudinal isolating switch in the relevant switching state
- Clear selection thanks to printed switching symbols
- Unintentional switching prevented by means of optional switching lock
- Two or three switches can be actuated at the same time using a connection bridge



- SB-ME ... switching jumpers can be positioned and latched on both sides of the disconnect point in the bridge shaft
- Reliably snapped into the end positions
- Contact made via screw terminal points

Notes:

- For current carrying capacity of DIN rails, see page 716.
- For further test adapters, see page 479.
- For corresponding terminal strip covers, see Catalog 5.

Dimensions

[mm]

Max. electrical data

Rated data

Rated voltage	[V]
Nominal current / cross section	[A] / [mm ²]
Rated cross section	[mm ²]
Cross section range	AWG

Connection capacity

1 conductor	[mm ²]
Two conductors (of the same type)	[mm ²]
Two stranded conductors with a TWIN ferrule	[mm ²]

General data

Stripping length	[mm]
Screw thread	
Tightening torque	[Nm]
Insulating material	
Inflammability class according to UL 94	

Description	No. of pos.	Color
Test disconnect terminal block , for mounting on NS 35		gray
Feed-through terminal block , for mounting on NS 35...		gray
Ground terminal block , for mounting on NS 35...		green-yellow

Cover, width 2.2 mm gray

Switching jumper , plug-in		
	2	gray/orange
	3	gray/orange
	4	gray/orange

Plug-in bridge		
	2	red
	3	red
	4	red
	5	red
	10	red

Pre-assembled bridge , labeled		
3-pos., positions 1, 3	2	red
4-pos., positions 1, 4	2	red
5-pos., positions 1, 3, 5	3	red
10-pos. positions 1, 4, 7, 10	4	red

Switching lock, plug-in white

Connection bridge, for connecting two test disconnect terminal blocks orange

3-pos. orange

Test adapter, for 4-mm-Ø safety test plug, snapped into bridge shaft orange

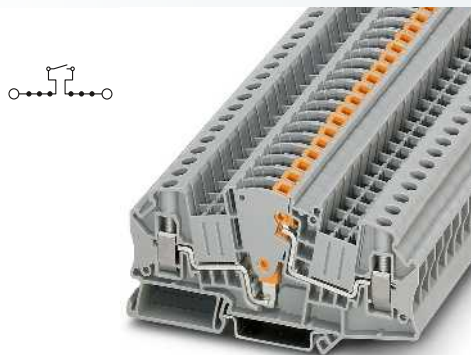
yellow

green

Partition plate, with storage option for switching jumpers gray

Screwdriver

Center and lateral groove labeling



6 (10) mm², 30 A, test disconnect terminal block



6 (10) mm², 41 A, feed-through terminal block, same shape



6 (10) mm², ground terminal block, same shape



Technical data			
Width	Length	Height NS 35/7,5	
8.2	100.8	49.6	
I_{max} [A]	U_{max} [V]	max. Ø [mm ²]	AWG
30	500	0.2 - 10	24 - 8
IEC 60947-7-1			
IEC	UL/CUL	CSA	IEC/EN 60079-7
500	600	600	-
30/6	30/-	30/-	-
6	-	-	-
24-8	24-8	24-8	-
solid	stranded	Ferrule	
		Without / with plastic sleeve	
0.2 - 10	0.2 - 10	0.25 - 6	0.25 - 6
0.2 - 2.5	0.2 - 2.5	0.25 - 2.5	-
		0.5 - 4	
10	M4	1.5 - 1.8	
PA			
V0			

Technical data			
Width	Length	Height NS 35/7,5	
8.2	100.8	49.6	
I_{max} [A]	U_{max} [V]	max. Ø [mm ²]	AWG
41	500	0.2 - 10	24 - 8
IEC 60947-7-1			
IEC	UL/CUL	CSA	IEC/EN 60079-7
500	600	600	-
41/6	30/-	30/-	-
6	-	-	-
24-8	24-8	24-8	-
solid	stranded	Ferrule	
		Without / with plastic sleeve	
0.2 - 10	0.2 - 10	0.25 - 6	0.25 - 6
0.2 - 2.5	0.2 - 2.5	0.25 - 2.5	-
		0.5 - 4	
10	M4	1.5 - 1.8	
PA			
V0			

Technical data			
Width	Length	Height NS 35/7,5	
8.2	100.8	49.6	
		max. Ø [mm ²]	AWG
		0.2 - 10	24 - 8
IEC 60947-7-2			
IEC	UL/CUL	CSA	IEC/EN 60079-7
-	-	-	-
-	-/-	-	-
6	-	-	-
24-8	24-8	24-8	-
solid	stranded	Ferrule	
		Without / with plastic sleeve	
0.2 - 10	0.2 - 10	0.25 - 6	0.25 - 6
0.2 - 2.5	0.2 - 2.5	0.25 - 2.5	-
		0.5 - 4	
10	M4	1.5 - 1.8	
PA			
V0			

Ordering data			
Type	I_{max}	Order No.	Pcs. / Pkt.
UTME 6		3047400	50

Ordering data			
Type	I_{max}	Order No.	Pcs. / Pkt.
UTMED 6		3047413	50

Ordering data			
Type		Order No.	Pcs. / Pkt.
UTMED 6-PE		3047442	50

Accessories			
D-UTME 6		3047426	10
SB-ME 2-8	30 A	3034468	10
SB-ME 3-8	30 A	3032800	10
SB-ME 4-8	30 A	3034484	10
FBS 2-8	41 A	3030284	10
FBS 3-8	41 A	3030297	10
FBS 4-8	41 A	3030307	10
FBS 5-8	41 A	3030310	10
FBS 10-8	41 A	3030323	10
FBS 1/3-8	41 A	3032363	10
FBS 1/4-8	41 A	3032376	10
FBS 1/3/5-8	41 A	3032389	10
FBS 1/4/7/10-8	41 A	3032402	10
S-ME 6		3034439	10
C-ME 6/2		3034442	10
C-ME 6/3		3034390	50
PAI-4-FIX OG		3034455	10
PAI-4-FIX YE		3032745	10
PAI-4-FIX GN		3032758	10
CARRIER 35-8		3034387	10
SZF 2-0,8X4,0		1204520	10

Accessories			
D-UTME 6		3047426	10
SB-ME 2-8	30 A	3034468	10
SB-ME 3-8	30 A	3032800	10
SB-ME 4-8	30 A	3034484	10
FBS 2-8	41 A	3030284	10
FBS 3-8	41 A	3030297	10
FBS 4-8	41 A	3030307	10
FBS 5-8	41 A	3030310	10
FBS 10-8	41 A	3030323	10
FBS 1/3-8	41 A	3032363	10
FBS 1/4-8	41 A	3032376	10
FBS 1/3/5-8	41 A	3032389	10
FBS 1/4/7/10-8	41 A	3032402	10
PAI-4-FIX OG		3034455	10
PAI-4-FIX YE		3032745	10
PAI-4-FIX GN		3032758	10
CARRIER 35-8		3034387	10
SZF 2-0,8X4,0		1204520	10

Accessories			
D-UTME 6		3047426	10
FBS 2-8		3030284	10
FBS 3-8		3030297	10
FBS 4-8		3030307	10
FBS 5-8		3030310	10
FBS 10-8		3030323	10
FBS 1/3-8		3032363	10
FBS 1/4-8		3032376	10
FBS 1/3/5-8		3032389	10
FBS 1/4/7/10-8		3032402	10
PAI-4-FIX OG		3034455	10
PAI-4-FIX YE		3032745	10
PAI-4-FIX GN		3032758	10
CARRIER 35-8		3034387	10
SZF 2-0,8X4,0		1204520	10

UC-TM 8, UCT-TM 8 or ZB 8 (see Catalog 5)

UC-TM 8, UCT-TM 8 or ZB 8 (see Catalog 5)

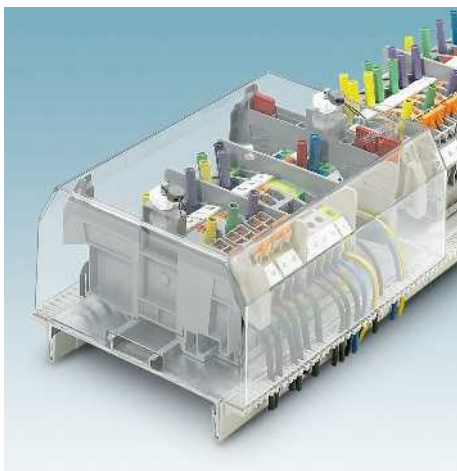
UC-TM 8, UCT-TM 8 or ZB 8 (see Catalog 5)

UT screw connection terminal blocks

UT 6-T HV test disconnect terminal blocks



- Compact 1000 V test disconnect terminal block with screw disconnect slide
- The terminal block provides a function shaft on both sides of the disconnect point and can be fitted with plug-in bridges and test adapters with 4 mm diameter
- The KSS short-circuit plugs make contact either in the test adapter or the test socket screws of the terminal points
- The CARRIER 35-8 provides a parking facility for KSS ... short-circuit plugs and FBS ... plug-in bridges
- SB-MER ... switching jumpers can be positioned and latched on both sides of the disconnect point in the bridge shaft
- Reliably snapped into the end positions
- Contact made via screw terminal points



Notes:
For further plug-in bridges, see page 472.
For further test sockets, see page 637.
For corresponding AP-ME and AH-ME terminal strip covers, see Catalog 5.



6 (10) mm², 57 A, 1000 V, test disconnect terminal block



Dimensions		[mm]
Dimensions		[mm]
Max. electrical data		
Rated data		
Rated voltage	[V]	1000
Nominal current / cross section	[A] / [mm ²]	41 / 6
Rated cross section	[mm ²]	6
Cross section range	AWG	24 - 8
Connection capacity		
1 conductor	[mm ²]	0.2 - 10
Two conductors (of the same type)	[mm ²]	0.2 - 2.5
Two stranded conductors with a TWIN ferrule	[mm ²]	0.2 - 2.5
General data		
Stripping length	[mm]	12
Terminal point: thread / torque	- / [Nm]	M4 / 1.2 - 1.4
Disconnect slide: thread / torque	- / [Nm]	M3 / 0.6 - 0.8
Insulating material		PA
Inflammability class according to UL 94		V0

Technical data			
Width	Length	Height NS 35/7,5	
8.2	72.6	54.3	
Width	Length	Height NS 32	
8.2	72.6	59.3	
I _{max} [A]	U _{max} [V]	max. Ø [mm ²]	AWG
57	1000	0.2 - 10	24 - 8
IEC 60947-7-1	UL/CUL	CSA	IEC/EN 60079-7
IEC	UL/CUL	CSA	IEC/EN 60079-7
Rated voltage	[V]	-	-
Nominal current / cross section	[A] / [mm ²]	- / -	-
Rated cross section	[mm ²]	-	-
Cross section range	AWG	-	-
Connection capacity			
	solid	stranded	Ferrule
			Without / with plastic sleeve
1 conductor	0.2 - 10	0.2 - 10	0.25 - 6 0.25 - 6
Two conductors (of the same type)	0.2 - 2.5	0.2 - 2.5	0.25 - 1.5 -
Two stranded conductors with a TWIN ferrule			0.5 - 4

Description	No. of pos.	Color
Test disconnect terminal block , for mounting on NS 35 and NS 32		gray
With test socket screws		gray

Cover, width 2.2 mm	Color
Plug-in bridge	
	2 red
	5 red
	10 red

Switching jumper, plug-in	Color
	2 gray/orange
	3 gray/orange
	4 gray/orange
Switching lock , excludes the possibility of an unintentional operation of the disconnect slide	white

Partition plate, 2 mm width	Color
Test adapter , for 4-mm-Ø safety test plug, snapped into bridge shaft	orange
	yellow
	green
	black

Short-circuit plug, for short circuiting neighboring terminal blocks, fully insulated, 2-pos., I _{max} 20 A	Color
4-pos.	black
Screwdriver , for the terminal point	
Screwdriver , for test socket screws	

Lateral groove labeling
UC-TM 8, UCT-TM 8 or ZB 8 (see Catalog 5)

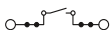
Ordering data			
Type	I _{max}	Order No.	Pcs. / Pkt.
UT 6-T-HV		3070134	50
UT 6-T-HV P/P		3070121	50

Accessories			
Type	I _{max}	Order No.	Pcs. / Pkt.
D-UT 6-T-HV		3070147	50
FBS 2-8	41 A	3030284	10
FBS 5-8	41 A	3030310	10
FBS 10-8	41 A	3030323	10
SB-MER 2-8	24 A	3000587	10
SB-MER 3-8	24 A	3000588	10
SB-MER 4-8	24 A	3000589	10
S-UT 6-T-HV		3070150	50
ATP-URTK/SP		0311139	10
PAI-4-FIX OG		3034455	10
PAI-4-FIX YE		3032745	10
PAI-4-FIX GN		3032758	10
KSS 8		0311540	10
KSS 4-8		0309549	10
SZS 1,0X6,5 VDE		1205079	10
SZG 0,9X6,5 VDE		1205134	10

URTK 6 / UGSK 6 test disconnect and slide-type terminal blocks

- The URTK 6 test disconnect terminal block and the UGSK 6 slide-type terminal block were developed specifically for use in current transformer secondary circuits
- Can be fitted on both sides with fixed and switchable bridges as well as test sockets with a 4 mm diameter

Notes:
 For other test sockets, see page 637.
 For corresponding AP-ME and AH-ME terminal strip covers, see Catalog 5.



6 (10) mm², 57 A, test disconnect terminal block



6 (10) mm², 57 A, slide-type terminal block



Technical data				
Width	Length	Height NS 35/7,5		
8.2	91	51		
Width	Length	Height NS 32		
8.2	91	56		
I _{max} [A]	U _{max} [V]	max. Ø [mm ²]	AWG	
57	400	0.5 - 10	20 - 8	
IEC 60947-7-1				
IEC	UL/CUL	CSA	IEC/EN 60079-7	
400	300	-	-	
Nominal current / cross section	[A] / [mm ²]	41 / 6	50 / -	-
Rated cross section	[mm ²]	6	-	-
Cross section range	AWG	20 - 8	26-8	-
Connection capacity				
	solid	stranded	Ferrule Without / with plastic sleeve	
1 conductor	[mm ²]	0.5 - 10	0.5 - 6	0.5 - 6
Two conductors (of the same type)	[mm ²]	0.5 - 2.5	0.5 - 4	-
Two stranded conductors with a TWIN ferrule	[mm ²]			0.5 - 4
General data				
Stripping length	[mm]	10		
Terminal point: thread / torque	- / [Nm]	M4 / 1.2 - 1.4		
Disconnect slide: thread / torque	- / [Nm]	M3 / 0.6 - 0.8		
Torque: test socket, fixed bridge, switch bar	[Nm]	0.6 - 0.8		
Insulating material		PA		
Inflammability class according to UL 94		V0		



Technical data				
Width	Length	Height NS 35/7,5		
8.2	91	51		
Width	Length	Height NS 32		
8.2	91	56		
I _{max} [A]	U _{max} [V]	max. Ø [mm ²]	AWG	
57	400	0.5 - 10	20 - 8	
IEC 60947-7-1				
IEC	UL/CUL	CSA	IEC/EN 60079-7	
400	300	-	-	
Nominal current / cross section	[A] / [mm ²]	41 / 6	50 / -	-
Rated cross section	[mm ²]	6	-	-
Cross section range	AWG	20 - 8	26-8	-
Connection capacity				
	solid	stranded	Ferrule Without / with plastic sleeve	
0.5 - 10	0.5 - 6	0.5 - 6	0.5 - 6	
0.5 - 2.5	0.5 - 4	0.5 - 2.5	-	
			0.5 - 4	
General data				
Stripping length	[mm]	10		
Terminal point: thread / torque	- / [Nm]	M4 / 1.2 - 1.4		
Disconnect slide: thread / torque	- / [Nm]	M3 / 0.6 - 0.8		
Torque: test socket, fixed bridge, switch bar	[Nm]	0.6 - 0.8		
Insulating material		PA		
Inflammability class according to UL 94		V0		

Description	No. of pos.	Color
Test disconnect terminal block , for mounting on NS 35 ... and NS 32 ...		gray
Feed-through terminal block , for mounting on NS 32... or NS 35...		gray

Ordering data				
Type	I _{max}	Order No.	Pcs. / Pkt.	
URTK 6		3026272	50	
URDK 6		3026706	50	

Ordering data				
Type	I _{max}	Order No.	Pcs. / Pkt.	
UGSK 6		3026285	50	

Accessories		
Cover , width 2 mm		gray
Switching jumper , complete		
	2	orange
	3	orange
	4	orange
	10	orange
for bridging between non-adjacent terminals	10	orange
Fixed bridge , insulated		silver
Switching lock , excludes the possibility of an unintentional operation of the disconnect slide		white
Test socket , insulated		transparent yellow green violet
Short-circuit plug , for short circuiting neighboring terminal blocks, fully insulated, 2-pos.		black
4-pos.		black
Screwdriver , for the terminal point		
Screwdriver , for the test socket		

Accessories				
D-URTK 6		Order No.	Pcs. / Pkt.	
SB 2-8-T	41 A	3026366	10	
SB 3-8-T	41 A	3026492	10	
SB 4-8-T	41 A	3026379	10	
SB 10-8-T	41 A	3026382	10	
SB 10-8-T SO	41 A	3026395	10	
FBRI 10-8 N	45 A	2772080	10	
S-URTK/SP		0311155	50	
PSBJ-URTK 6 FARBLOS		3026450	10	
PSBJ-URTK 6 YE		3026405	10	
PSBJ-URTK 6 GN		3026418	10	
PSBJ-URTK 6 VT		3026421	10	
KSSI 2-8		3000722	10	
KSSI 4-8		3000735	10	
SZS 1,0X4,0 VDE		1205066	10	
SF-SL 0,6X3,5-100 S-VDE		1212587	10	

Accessories				
D-URTK 6		Order No.	Pcs. / Pkt.	
SB 2-8-T	41 A	3026366	10	
SB 3-8-T	41 A	3026492	10	
SB 4-8-T	41 A	3026379	10	
SB 10-8-T	41 A	3026382	10	
SB 10-8-T SO	41 A	3026395	10	
FBRI 10-8 N	45 A	2772080	10	
PSBJ-URTK 6 FARBLOS		3026450	10	
PSBJ-URTK 6 YE		3026405	10	
PSBJ-URTK 6 GN		3026418	10	
PSBJ-URTK 6 VT		3026421	10	
KSSI 4-8		3000735	10	
SZS 1,0X4,0 VDE		1205066	10	
SF-SL 0,6X3,5-100 S-VDE		1212587	10	

Lateral groove labeling

UC-TM 8, UCT-TM 8 or ZB 8 (see Catalog 5)

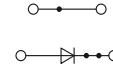
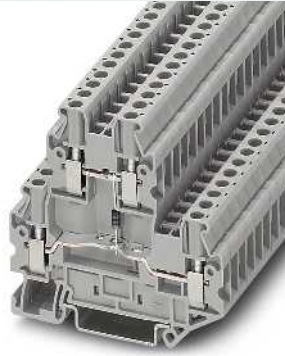
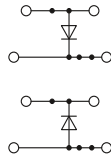
UC-TM 8, UCT-TM 8 or ZB 8 (see Catalog 5)

Modular terminal blocks - CLIPLINE complete

UT screw connection terminal blocks

Double-level diode terminal blocks UTT 2.5 ...-DIO

- Double-level diode and light indicator terminal blocks carry out a great variety of switching tasks
- Design width of 5.2 mm
- The following can be implemented in tight spaces: freewheeling diode circuits, lamp test circuits, reporting and fault reporting circuits



Notes:
 1) The max. current is determined by the diode. Integrated: diode 1N 4007, reverse voltage: 1300 V, maximum continuous current: 0.5 A
 2) The voltage is determined by the light indicator version selected.

2.5 (4) mm², 28 A, double-level diode terminal block

2.5 (4) mm², 28 A, double-level diode terminal block



Dimensions		[mm]
Max. electrical data		
Rated data		
Rated voltage	[V]	500
Nominal current / cross section	[A] / [mm ²]	24 ¹⁾ / 2.5
Rated cross section	[mm ²]	2.5
Cross section range	AWG	26 - 12
Connection capacity		
1 conductor	[mm ²]	0.14 - 4
Two conductors (of the same type)	[mm ²]	0.14 - 1.5
Two stranded conductors with a TWIN ferrule	[mm ²]	0.14 - 1.5
General data		
Stripping length	[mm]	9
Screw thread		M3
Tightening torque	[Nm]	0.5 - 0.6
Insulating material		PA
Inflammability class according to UL 94		V0

Technical data			
Width	Length	Height NS 35/7,5	
5.2	69.9	65	
I _{max} [A]	U _{max} [V]	max. Ø [mm ²]	AWG
28 ¹⁾	500	0.14 - 4	26 - 12
IEC	UL/CUL	CSA	IEC/EN 60079-7
500	600	300	-
24 ¹⁾ / 2.5	20 / -	1 / -	-
2.5	-	-	-
26 - 12	26-12	26-12	-
solid		stranded	
		Ferrule	
		Without / with plastic sleeve	
0.14 - 4	0.14 - 4	0.14 - 2.5	0.14 - 2.5
0.14 - 1.5	0.14 - 1.5	0.14 - 1.5	-
		0.5 - 1.5	

Technical data			
Width	Length	Height NS 35/7,5	
5.2	69.9	65	
I _{max} [A]	U _{max} [V]	max. Ø [mm ²]	AWG
28 ¹⁾	500	0.14 - 4	26 - 12
IEC	UL/CUL	CSA	IEC/EN 60079-7
500	600	300	-
24 ¹⁾ / 2.5	20 / -	1 / -	-
2.5	-	-	-
26 - 12	26-12	26-12	-
solid		stranded	
		Ferrule	
		Without / with plastic sleeve	
0.14 - 4	0.14 - 4	0.14 - 2.5	0.14 - 2.5
0.14 - 1.5	0.14 - 1.5	0.14 - 1.5	-
		0.5 - 1.5	

Description	No. of pos.	Color
Terminal block , with integrated diode, conducting from top to bottom		gray
Terminal block , with integrated diode, conducting from bottom to top		gray
Terminal block , with integrated diode, conducting from bottom left to bottom right		gray
Terminal block , with integrated diode, conducting from top to bottom left and from bottom right to bottom left		gray
Terminal block , with integrated diode, conducting from top to bottom left and from top to bottom right		gray
Terminal block , with LED		
for 12-30 V DC, 0.7-2.4 mA		gray
for 30-60 V DC, 0.8-1.8 mA		gray
for 110-250 V AC/DC, 0.1-0.5 mA		gray
Terminal block , for soldering in a component from top to bottom		gray

Ordering data			
Type	I _{max}	Order No.	Pcs. / Pkt.
UTT 2.5-DIO/O-U		3046650	50
UTT 2.5-DIO/U-O		3046663	50
UTT 2.5-DIO/UL-UR		3046728	50

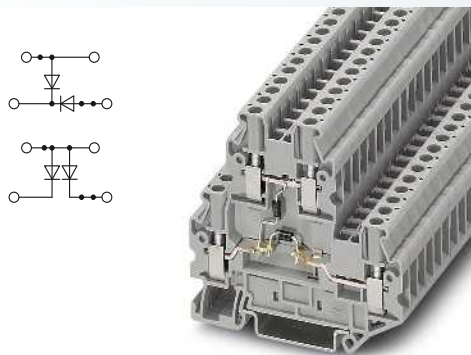
Ordering data			
Type	I _{max}	Order No.	Pcs. / Pkt.
UTT 2.5-DIO/UL-UR		3046728	50

Accessories	
Cover , width 2.2 mm	gray
Spacer plate , compensates for level offsets, width 2.5 mm	gray
Plug-in bridge	
	2 red
	3 red
	4 red
	5 red
	10 red
	20 red
Partition plate , 2.2 mm wide	gray
Screwdriver	
Lateral groove labeling	

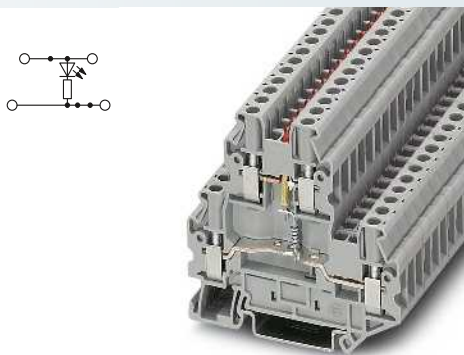
Accessories			
D-UTT 2,5/4		3047293	50
DP-UTT 2,5/4		3047303	50
FBS 2-5	24 A	3030161	50
FBS 3-5	24 A	3030174	50
FBS 4-5	24 A	3030187	50
FBS 5-5	24 A	3030190	50
FBS 10-5	24 A	3030213	10
FBS 20-5	24 A	3030226	10
ATP-UTT 2,5/4		3047316	50
SF-SL 0,6X3,5-100 S-VDE		1212587	10
UC-TM 5, UCT-TM 5 or ZB 5 (see Catalog 5)			

Accessories			
D-UTT 2,5/4		3047293	50
DP-UTT 2,5/4		3047303	50
FBS 2-5	24 A	3030161	50
FBS 3-5	24 A	3030174	50
FBS 4-5	24 A	3030187	50
FBS 5-5	24 A	3030190	50
FBS 10-5	24 A	3030213	10
FBS 20-5	24 A	3030226	10
ATP-UTT 2,5/4		3047316	50
SF-SL 0,6X3,5-100 S-VDE		1212587	10
UC-TM 5, UCT-TM 5 or ZB 5 (see Catalog 5)			

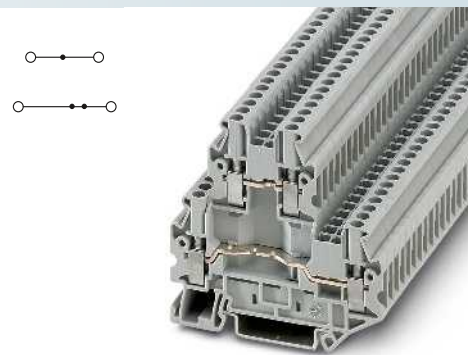
UT screw connection terminal blocks



2.5 (4) mm², 28 A, double-level diode terminal block



2.5 (4) mm², 28 A, double-level terminal block with LED



2.5 (4) mm², 28 A, double-level terminal block for soldering in components



Technical data			
Width	Length	Height NS 35/7,5	
5.2	69.9	65	
I_{max} [A]	U_{max} [V]	max. Ø [mm ²]	AWG
28 ¹⁾	500	0.14 - 4	26 - 12
IEC	UL/CUL	CSA	IEC/EN 60079-7
500	600	300	-
24 ¹⁾ / 2.5	20 / -	1 / -	-
2.5	-	-	-
26 - 12	26-12	26-12	-
solid	stranded	Ferrule Without / with plastic sleeve	
0.14 - 4	0.14 - 4	0.14 - 2.5	0.14 - 2.5
0.14 - 1.5	0.14 - 1.5	0.14 - 1.5	-
			0.5 - 1.5
9	M3	0.5 - 0.6	PA
			V0

Technical data			
Width	Length	Height NS 35/7,5	
5.2	69.9	65	
I_{max} [A]	U_{max} [V]	max. Ø [mm ²]	AWG
28	24 ²⁾	0.14 - 4	26 - 12
IEC	UL/CUL	CSA	IEC/EN 60079-7
24 ²⁾	600	24	-
24 / 2.5	20 / -	20 / -	-
2.5	-	-	-
26 - 12	26-12	26-12	-
solid	stranded	Ferrule Without / with plastic sleeve	
0.14 - 4	0.14 - 4	0.14 - 2.5	0.14 - 2.5
0.14 - 1.5	0.14 - 1.5	0.14 - 1.5	-
			0.5 - 1.5
9	M3	0.5 - 0.6	PA
			V0

Technical data			
Width	Length	Height NS 35/7,5	
5.2	69.9	65	
I_{max} [A]	U_{max} [V]	max. Ø [mm ²]	AWG
28	500	0.14 - 4	26 - 12
IEC	UL/CUL	CSA	IEC/EN 60079-7
500	600	600	-
24 / 2.5	20 / -	20 / -	-
2.5	-	-	-
26 - 12	26-12	26-12	-
solid	stranded	Ferrule Without / with plastic sleeve	
0.14 - 4	0.14 - 4	0.14 - 2.5	0.14 - 2.5
0.14 - 1.5	0.14 - 1.5	0.14 - 1.5	-
			0.5 - 1.5
9	M3	0.5 - 0.6	PA
			V0

Ordering data			
Type	I_{max}	Order No.	Pcs. / Pkt.
UTTB 2,5-2DIO/O-UL/UR-UL		3046676	50
UTTB 2,5-2DIO/O-UL/O-UR		3046689	50

Ordering data			
Type	I_{max}	Order No.	Pcs. / Pkt.
UTTB 2,5-LA 24 RD		3046692	50
UTTB 2,5-LA 60 RD		3046702	50
UTTB 2,5-LA 230		3046715	50

Ordering data			
Type	I_{max}	Order No.	Pcs. / Pkt.
UTTB 2,5-BE		3046744	50

Accessories			
D-UTTB 2,5/4		3047293	50
DP-UTTB 2,5/4		3047303	50
FBS 2-5	24 A	3030161	50
FBS 3-5	24 A	3030174	50
FBS 4-5	24 A	3030187	50
FBS 5-5	24 A	3030190	50
FBS 10-5	24 A	3030213	10
FBS 20-5	24 A	3030226	10
ATP-UTTB 2,5/4		3047316	50
SF-SL 0,6X3,5-100 S-VDE		1212587	10

Accessories			
D-UTTB 2,5/4		3047293	50
DP-UTTB 2,5/4		3047303	50
FBS 2-5	24 A	3030161	50
FBS 3-5	24 A	3030174	50
FBS 4-5	24 A	3030187	50
FBS 5-5	24 A	3030190	50
FBS 10-5	24 A	3030213	10
FBS 20-5	24 A	3030226	10
ATP-UTTB 2,5/4		3047316	50
SF-SL 0,6X3,5-100 S-VDE		1212587	10

Accessories			
D-UTTB 2,5/4		3047293	50
DP-UTTB 2,5/4		3047303	50
FBS 2-5		3030161	50
FBS 3-5		3030174	50
FBS 4-5		3030187	50
FBS 5-5		3030190	50
FBS 10-5		3030213	10
FBS 20-5		3030226	10
ATP-UTTB 2,5/4		3047316	50
SF-SL 0,6X3,5-100 S-VDE		1212587	10

UC-TM 5, UCT-TM 5 or ZB 5 (see Catalog 5)

UC-TM 5, UCT-TM 5 or ZB 5 (see Catalog 5)

UC-TM 5, UCT-TM 5 or ZB 5 (see Catalog 5)

UT screw connection terminal blocks

MUT ... mini feed-through and ground terminal blocks, for mounting on NS 15

- Save space and can be used in smaller control boxes
- Ideal for connecting smaller motors and wiring in the lower power spectrum
- Simple bridging and potential distribution using the patented plug-in bridges of the CLIPLINE complete system
- Ground terminal block of the same shape makes contact when simply snapped on and meets the high requirements of IEC 60947-7-2

Notes:
For current carrying capacity of DIN rails, see page 716.



2.5 (4) mm², 32 A, mini feed-through terminal block

Dimensions		[mm]
Max. electrical data		
Rated data		
Rated voltage	[V]	500
Nominal current / cross section	[A] / [mm ²]	24 / 2.5
Rated cross section	[mm ²]	2.5
Cross section range	AWG	24 - 12
Connection capacity		
1 conductor	[mm ²]	0.2 - 4
Two conductors (of the same type)	[mm ²]	0.2 - 1.5
Two stranded conductors with a TWIN ferrule	[mm ²]	0.2 - 1.5
General data		
Stripping length	[mm]	9
Screw thread		M3
Tightening torque	[Nm]	0.5 - 0.6
Insulating material		PA
Inflammability class according to UL 94		V0

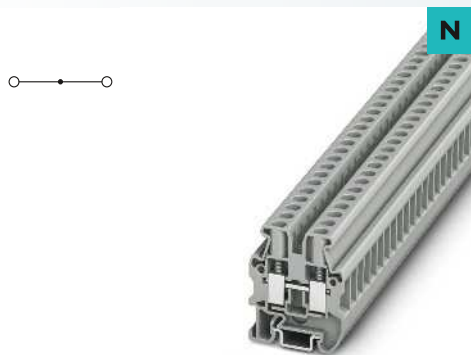
Technical data				
Width	Length	Height NS 15		
5.2	29.9	34		
I _{max} [A]	U _{max} [V]	max. Ø [mm ²]	AWG	
32	500	0.2 - 4	24 - 12	
IEC 60947-7-1				
IEC	UL/CUL	CSA	IEC/EN 60079-7	
Connection capacity				
		solid	stranded	Ferrule
		Without / with plastic sleeve		
0.2 - 4	0.2 - 4	0.25 - 2.5	0.25 - 2.5	
0.2 - 1.5	0.2 - 1.5	0.25 - 1.5	-	
		0.5 - 1.5		

Description	No. of pos.	Color
Terminal block, for mounting on NS 15		gray blue
Ground terminal block, for mounting on NS 15		green-yellow

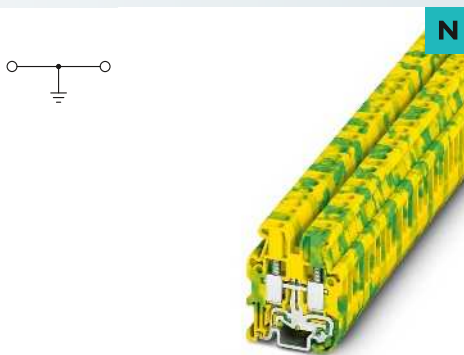
Ordering data			
Type	I _{max}	Order No.	Pcs. / Pkt.
MUT 2,5		3248030	50
MUT 2,5 BU		3248031	50

Cover, width 2.2 mm		gray
Plug-in bridge		
	2	red
	3	red
	4	red
	5	red
	10	red
	20	red
Test adapter, 4-mm test socket hole		gray
Test plug metal part, 2.3 mm Ø		
Insulating sleeve, for MPS metal part		red
Modular test plug, for the individual assembly of test plug strips		red
Warning label, for UT series		yellow
Screwdriver		
Lateral groove labeling		

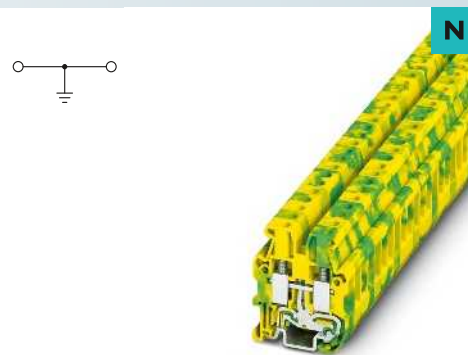
Accessories			
D-MUT 2,5/4		3248033	50
FBS 2-5	24 A	3030161	50
FBS 3-5	24 A	3030174	50
FBS 4-5	24 A	3030187	50
FBS 5-5	24 A	3030190	50
FBS 10-5	24 A	3030213	10
FBS 20-5	24 A	3030226	10
PAI-4-N GY		3032871	10
PS-5		3030983	10
WS UT 2,5		3047923	10
SF-SL 0,6X3,5-100 S-VDE		1212587	10
UC-TM 5, UCT-TM 5 or ZB 5 (see Catalog 5)			



4 (6) mm², 41 A, mini feed-through terminal block



2.5 (4) mm², mini ground terminal block



4 (6) mm², mini ground terminal block

Technical data			
Width	Length	Height NS 15	
6.2	29.9	34	
I_{max} [A]	U_{max} [V]	max. Ø [mm ²]	AWG
41	500	0.2 - 6	24 - 10
IEC 60947-7-1			
IEC	UL/CUL	CSA	IEC/EN 60079-7
500	-	-	-
32 / 4	- / -	-	-
4	-	-	-
24 - 10	-	-	-
solid	stranded	Ferrule	
		Without / with plastic sleeve	
0.2 - 6	0.2 - 6	0.25 - 4	0.25 - 4
0.2 - 1.5	0.2 - 1.5	0.25 - 1.5	-
			0.5 - 2.5
9	M3	0.6 - 0.8	PA
			V0

Technical data			
Width	Length	Height NS 15	
5.2	29.9	34	
I_{max} [A]	U_{max} [V]	max. Ø [mm ²]	AWG
41	500	0.2 - 4	24 - 12
IEC 60947-7-2			
IEC	UL/CUL	CSA	IEC/EN 60079-7
-	-	-	-
-	- / -	-	-
2.5	-	-	-
24 - 12	-	-	-
solid	stranded	Ferrule	
		Without / with plastic sleeve	
0.2 - 4	0.2 - 4	0.25 - 2.5	0.25 - 2.5
0.2 - 1.5	0.2 - 1.5	0.25 - 1.5	-
			0.5 - 1.5
9	M3	0.5 - 0.6	PA
			V0

Technical data			
Width	Length	Height NS 15	
6.2	29.9	34	
I_{max} [A]	U_{max} [V]	max. Ø [mm ²]	AWG
41	500	0.2 - 6	24 - 10
IEC 60947-7-2			
IEC	UL/CUL	CSA	IEC/EN 60079-7
-	-	-	-
-	- / -	-	-
4	-	-	-
24 - 10	-	-	-
solid	stranded	Ferrule	
		Without / with plastic sleeve	
0.2 - 6	0.2 - 6	0.25 - 4	0.25 - 4
0.2 - 1.5	0.2 - 1.5	0.25 - 1.5	-
			0.5 - 2.5
9	M3	0.6 - 0.8	PA
			V0

Ordering data			
Type	I_{max}	Order No.	Pcs. / Pkt.
MUT 4		3248035	50
MUT 4 BU		3248036	50

Ordering data			
Type	I_{max}	Order No.	Pcs. / Pkt.
MUT 2,5-PE		3248032	50

Ordering data			
Type	I_{max}	Order No.	Pcs. / Pkt.
MUT 4-PE		3248037	50

Accessories			
D-MUT 2,5/4		3248033	50
FBS 2-6	32 A	3030336	50
FBS 3-6	32 A	3030242	50
FBS 4-6	32 A	3030255	50
FBS 5-6	32 A	3030349	50
FBS 10-6	32 A	3030271	10
FBS 20-6	32 A	3030365	10
PAI-4-N GY		3032871	10
MPS-MT		0201744	10
MPS-IH RD		0201676	10
PS-6		3030996	10
WS UT 4		3047332	10
SF-SL 0,6X3,5-100 S-VDE		1212587	10

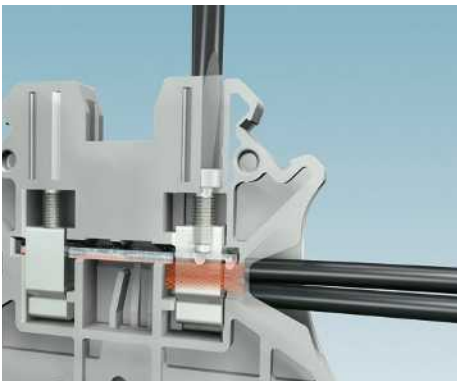
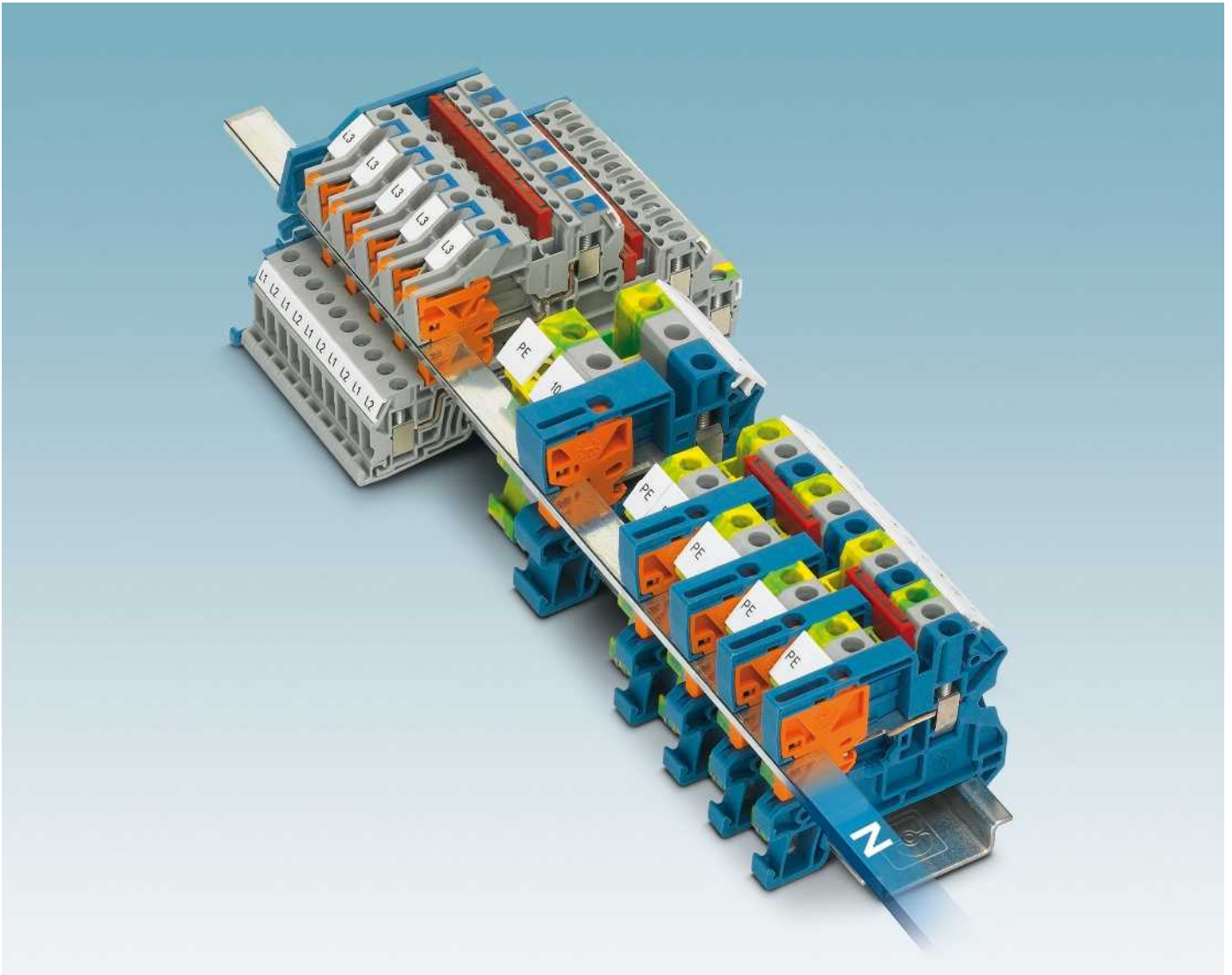
Accessories			
D-MUT 2,5/4		3248033	50
WS UT 2,5		3047923	10
SF-SL 0,6X3,5-100 S-VDE		1212587	10

Accessories			
D-MUT 2,5/4		3248033	50
WS UT 4		3047332	10
SF-SL 0,6X3,5-100 S-VDE		1212587	10

UC-TM 6, UCT-TM 6 or ZB 6
(see Catalog 5)

UC-TM 5, UCT-TM 5 or ZB 5
(see Catalog 5)

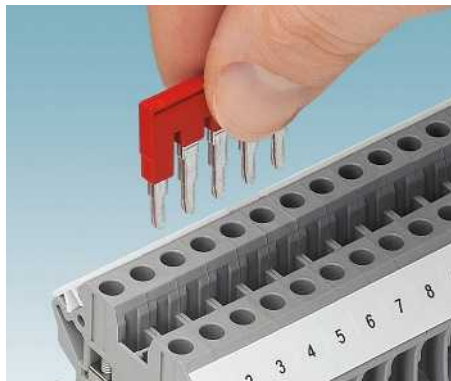
UC-TM 6, UCT-TM 6 or ZB 6
(see Catalog 5)



Universal and zero-maintenance

The screw connection is characterized by three main features.

- Global standard
- Multiple conductor connection
- Zero maintenance thanks to Reakdyn principle



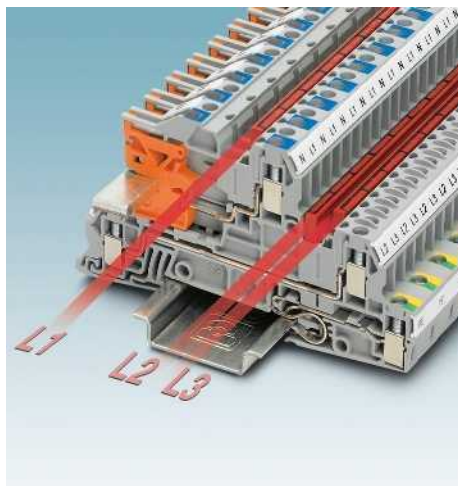
Flexible plug-in bridge system

The potential distribution can be implemented at speed with the standardized plug-in bridges. Using two bridge shafts in all terminal blocks makes flexible chain, level or jumping bridges possible.



Installation accessories

There is an extensive range of accessories for potential distribution and supply. The AKG connection terminal blocks meet the requirements of standard DIN VDE 0100 or VDE 0113-1 in terms of color labeling and the ability to label each terminal block.



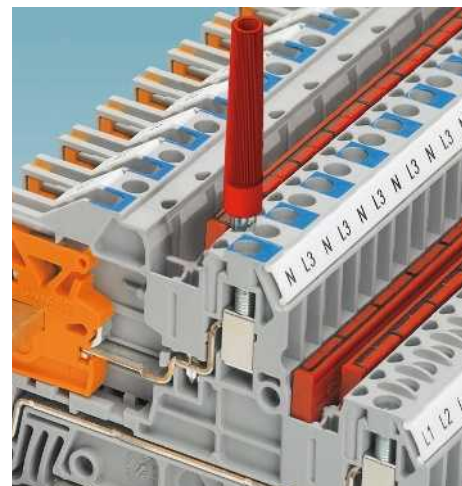
Double function shaft

Two function shafts are provided per level to allow fast and individual potential distribution. Cross connections can be reproduced any number of times with the standard bridges from the CLIPLINE complete system, e.g. three-phase systems with L1/L2/L3 potentials within a terminal strip.



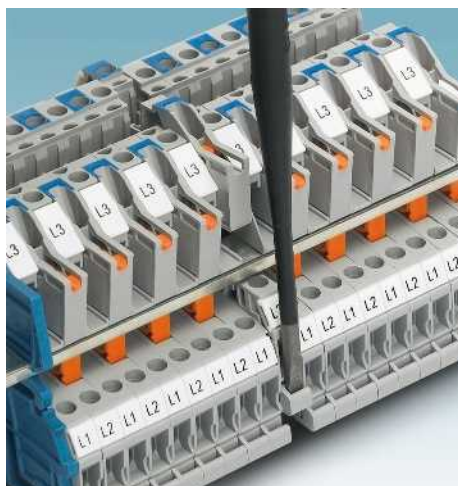
Fast and safe neutral conductor disconnect

All screw connection neutral conductor disconnect terminal blocks are fitted with a robust, screwless disconnect slide. When this is levered over with a standard screwdriver, the contact fork slides onto the busbar. Engaging the slide in the end positions provides additional protection against accidental actuation. The disconnect slide is clearly visible in the respective location.



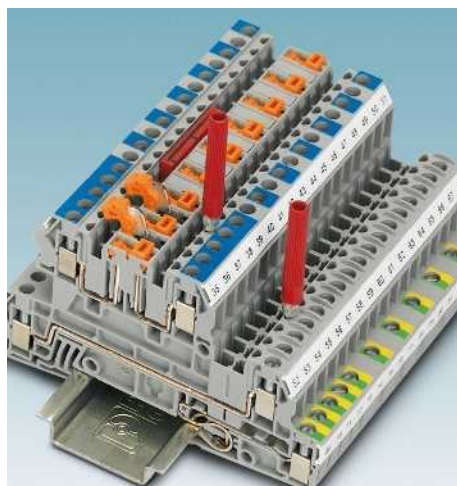
Testing facility on each terminal point

The CLIPLINE complete system features an extensive range of test accessories. All test plugs and adapters make contact in the function shaft. Furthermore, each terminal point has a 2.3 mm test contact. All measurement and test work can therefore be undertaken with ease and at speed with function shafts fitted with bridges.



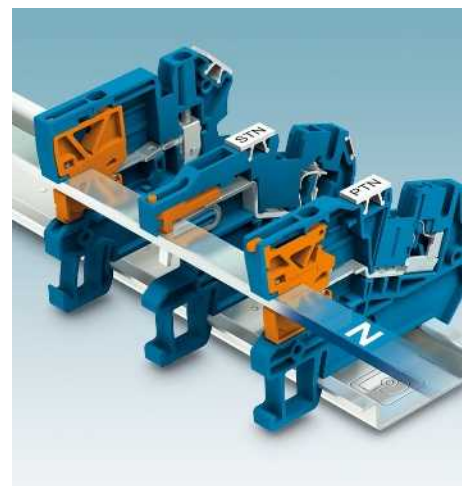
Easy to install

The screw connection installation terminal blocks can be easily switched from the group, even once fitted, without the neutral busbar having to be removed.



Safe individual circuit disconnection

The terminal block versions with disconnect knife for individual circuit disconnection meet the safety requirements of DIN VDE 0100-718.



Any combination

All installation terminal blocks with the various PTI push-in connection, STI spring-cage connection, and PIK screw connection technologies from Phoenix Contact can be combined in any way. The neutral busbar is on one level in all installation terminal blocks.

UTI screw connection installation terminal blocks

UTI ... installation and PE terminal blocks



- UTI 16... and UTI 35... installation terminal blocks feature a particularly low-profile design and are suitable for wiring in flat installation distributors
- The asymmetric arrangement of the terminal blocks on the DIN rail allows the PEN conductor busbar to be routed to the terminal blocks
- **The standard UT 2,5 to UT 10 feed-through terminal blocks can be used in combination with the neutral busbar**

AGK 4-UT... pick-off terminal blocks

- The fully insulated pick-off terminal block (optional use) permits a voltage pick-off up to a nominal voltage of 400 V
- Large area for labeling

Notes:
For current carrying capacity of DIN rails, see page 716.



16 (25) mm², 76 A, feed-through terminal block



Dimensions	
	[mm]
Max. electrical data	
Rated data	
Rated voltage	[V]
Nominal current / cross section	[A] / [mm ²]
Rated cross section	[mm ²]
Cross section range	AWG
Connection capacity	
1 conductor	[mm ²]
Two conductors (of the same type)	[mm ²]
Two stranded conductors with a TWIN ferrule	[mm ²]
General data	
Stripping length	[mm]
Screw thread	
Tightening torque	[Nm]
Insulating material	
Inflammability class according to UL 94	

Technical data				
Width	Length	Height NS 35/7,5		
12.2	51	50.5		
I _{max} [A]	U _{max} [V]	max. Ø [mm ²]	AWG	
76	400	6 - 25	10 - 4	
IEC 60947-7-1				
IEC	UL/CUL	CSA	IEC/EN 60079-7	
Rated voltage				
400	-	-	-	
Nominal current / cross section				
76 / 16	- / -	-	-	
Rated cross section				
16	-	-	-	
Cross section range				
10 - 4	-	-	-	
Connection capacity		Ferrule		
solid	stranded	Without / with plastic sleeve		
6 - 25	6 - 16	6 - 16	6 - 16	
2.5 - 10	2.5 - 6	4 - 6	-	
			4 - 6	
Stripping length				
12				
Screw thread				
M5				
Tightening torque				
2.5 - 3				
Insulating material				
PA				
Inflammability class according to UL 94				
				V2

Description	No. of pos.	Color
Terminal block, for mounting on NS 35...		gray blue
Ground terminal block, for mounting on NS 35...		green-yellow

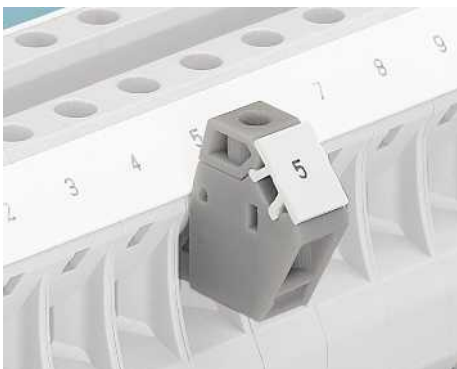
Ordering data		
Type	Order No.	Pcs. / Pkt.
UTI 16	3073827	50
UTI 16 BU	3075728	50

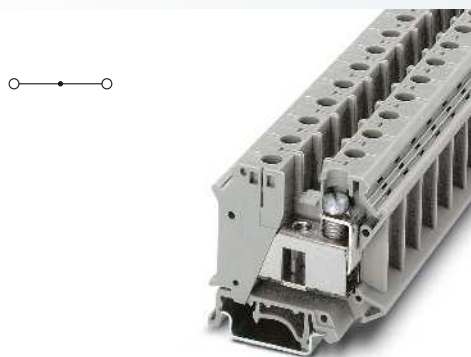
Pick-off terminal block, for snapping into the lateral guide		gray
Fixed bridge, insulated		
	2	silver
	3	silver
	10	silver

Accessories		
AGK 4-UT 16	3047125	50
FBI 10-12	0203454	10
SZS 1,0X6,5 VDE	1205079	10

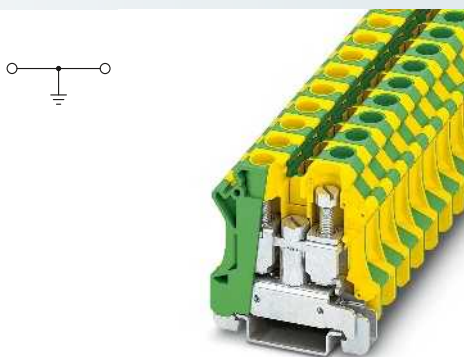
Screwdriver	
Lateral groove labeling	

UC-TM 12, UCT-TM 12 or ZB 12 (see Catalog 5)
--

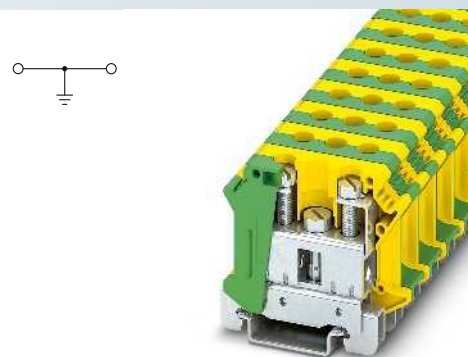




35 (35) mm², 125 A, feed-through terminal block



16 (25) mm², 76 A, ground terminal block



35 (35) mm², 125 A, ground terminal block



Technical data			
Width	Length	Height NS 35/7,5	
15.2	55	51	
I_{max} [A]	U_{max} [V]	max. Ø [mm ²]	AWG
125	800	0.75 - 35	18 - 2
IEC 60947-7-1			
IEC	UL/CUL	CSA	IEC/EN 60079-7
800	-	-	-
125 / 35	- / -	-	-
35	-	-	-
18 - 2	-	-	-
solid	stranded	Ferrule Without / with plastic sleeve	
0.75 - 35	0.75 - 35	0.75 - 35	0.75 - 35
0.75 - 10	0.75 - 10	0.75 - 10	-
			0.75 - 6
16	M6	3.2 - 3.7	PA
			V2

Technical data			
Width	Length	Height NS 35/7,5	
12.2	51	50.5	
I_{max} [A]		max. Ø [mm ²]	AWG
76		6 - 25	10 - 4
IEC 60947-7-2			
IEC	UL/CUL	CSA	IEC/EN 60079-7
-	-	-	-
76 / 16	- / -	-	-
16	-	-	-
10 - 4	-	-	-
solid	stranded	Ferrule Without / with plastic sleeve	
6 - 25	6 - 16	6 - 16	6 - 16
2.5 - 10	2.5 - 6	4 - 6	-
			4 - 6
12	M5	2.5 - 3	PA
			V2

Technical data			
Width	Length	Height NS 35/7,5	
15	55	51	
I_{max} [A]		max. Ø [mm ²]	AWG
125		0.75 - 35	18 - 2
IEC 60947-7-2			
IEC	UL/CUL	CSA	IEC/EN 60079-7
-	-	-	-
125 / 35	- / -	-	-
35	-	-	-
18 - 2	-	-	-
solid	stranded	Ferrule Without / with plastic sleeve	
0.75 - 35	0.75 - 35	0.75 - 35	0.75 - 35
0.75 - 16	0.75 - 10	0.75 - 10	-
			0.75 - 6
16	M6	3.2 - 3.7	PA
			V2

Ordering data		
Type	Order No.	Pcs. / Pkt.
UTI 35	3074088	50
UTI 35 BU	3075731	50

Ordering data		
Type	Order No.	Pcs. / Pkt.
UTI 16-PE	3073830	50

Ordering data		
Type	Order No.	Pcs. / Pkt.
UTI 35-PE	3074091	50

Accessories		
FBI 2-15	0201333	10
FBI 3-15	0201278	10
SZS 1,0X6,5 VDE	1205079	10

Accessories		
SZS 1,0X6,5 VDE	1205079	10

Accessories		
SZS 1,0X6,5 VDE	1205079	10

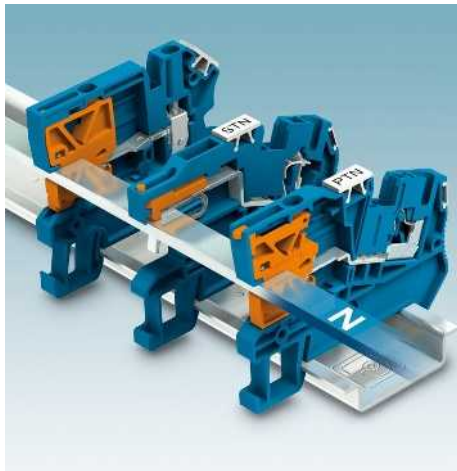
UC-TM 12, UCT-TM 12 or ZB 15
(see Catalog 5)

UC-TM 12, UCT-TM 12 or ZB 12
(see Catalog 5)

UC-TM 12, UCT-TM 12 or ZB 15
(see Catalog 5)

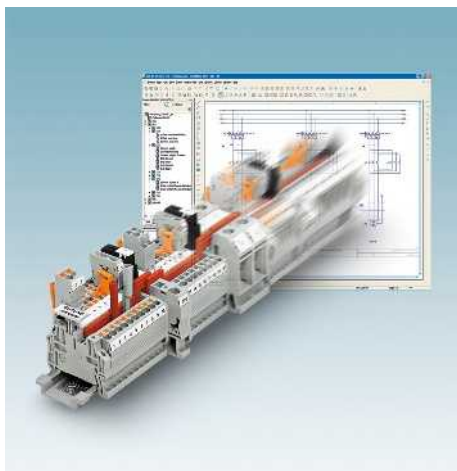
UTI screw connection installation terminal blocks

UTN ... installation neutral conductor disconnect terminal blocks



- All UTN 2,5 - UTN 16 neutral conductor disconnect terminal blocks have a screwless disconnect slide
- When this is levered over with a standard screwdriver, the contact fork slides onto the busbar
- Engaging the slide in the end positions provides additional protection against accidental contacting
- **The standard UT 2,5 to UT 10 feed-through terminal blocks can be used in combination with the neutral busbar**

CLIP PROJECT Planning enables the quick and convenient planning and configuration of fault-free terminal strips.



Notes:
Assembly instructions: For secure fastening of the neutral busbar, supports must be set at the beginning and end of each terminal strip as well as every 20 cm on longer terminal strips.
For L/N/PE AKG ... connection terminal blocks, see page 94.



2.5 (4) mm², 24 A, neutral disconnect terminal block



Dimensions	
	[mm]
Max. electrical data	
Rated data	
Rated voltage	[V]
Nominal current / cross section	[A] / [mm ²]
Rated cross section	[mm ²]
Cross section range	AWG
Connection capacity	
1 conductor	[mm ²]
Two conductors (of the same type)	[mm ²]
Two stranded conductors with a TWIN ferrule	[mm ²]
General data	
Stripping length	[mm]
Screw thread	
Tightening torque	[Nm]
Insulating material	
Inflammability class according to UL 94	

Technical data				
Width	Length	Height NS 35/7,5		
5.2	55	47.5		
I _{max} [A]	U _{max} [V]	max. Ø [mm ²]	AWG	
24	250	0.14 - 4	26 - 12	
IEC 60947-7-1				
IEC	UL/CUL	CSA	IEC/EN 60079-7	
250	-	-	-	
24 / 2.5	- / -	-	-	
2.5	-	-	-	
26 - 12	-	-	-	
solid		stranded	Ferrule	
			Without / with plastic sleeve	
0.14 - 4	0.14 - 4	0.14 - 2.5	0.14 - 2.5	
0.14 - 1.5	0.14 - 1.5	0.14 - 1.5	-	
			0.5 - 1.5	
9				
M 3				
0.5 - 0.6				
PA				
V0				

Description	No. of pos.	Color
Neutral disconnect terminal block, for mounting on NS 35...		blue

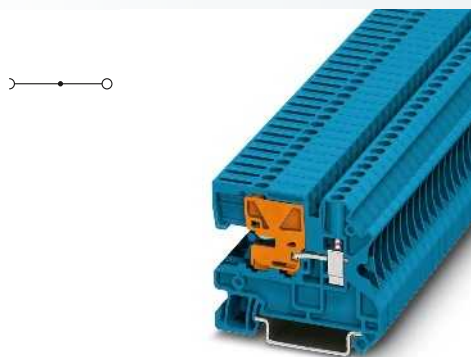
Ordering data			
Type	I _{max}	Order No.	Pcs. / Pkt.
UTN 2,5		3245011	50

Cover, width 2.2 mm		blue
Support, to hold the neutral busbar, set every 20 cm, 2 mm wide		blue
Plug-in bridge		
	2	red
	3	red
	4	red
	5	red
	10	red
	20	red
Partition plate, 2 mm width		gray
PEN conductor busbar, 3 x 10 mm, 1 m long, material: copper, tin-plated, nominal current: 140 A		silver
Test adapter, 4-mm test socket hole		gray
Test plug metal part, 2.3 mm Ø		
Insulating sleeve, for MPS metal part		red
Modular test plug, for the individual assembly of test plug strips		red

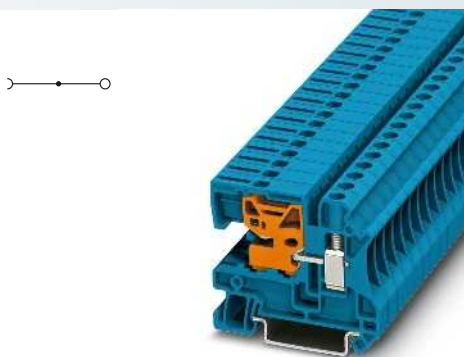
Accessories			
Type	I _{max}	Order No.	Pcs. / Pkt.
D-UTN 2,5/10		3245079	50
AB-UTN 2,5/10		3245082	50
FBS 2-5	24 A	3030161	50
FBS 3-5	24 A	3030174	50
FBS 4-5	24 A	3030187	50
FBS 5-5	24 A	3030190	50
FBS 10-5	24 A	3030213	10
FBS 20-5	24 A	3030226	10
ATP-UT		3047167	50
NLS-CU 3/10 SN 1000MM	140 A	0402174	10
PAI-4-N GY		3032871	10
MPS-MT		0201744	10
MPS-IH RD		0201676	10
PS-5		3030983	10
SF-SL 0,6X3,5-100 S-VDE		1212587	10

Screwdriver
Lateral groove labeling

UC-TM 5, UCT-TM 5 or ZB 5 (see Catalog 5)



4 (6) mm², 32 A, neutral disconnect terminal block



6 (10) mm², 41 A, neutral disconnect terminal block



Technical data			
Width	Length	Height NS 35/7,5	
6.2	55	47.5	
I _{max} [A]	U _{max} [V]	max. Ø [mm ²]	AWG
32	250	0.14 - 6	26 - 10
IEC 60947-7-1			
IEC	UL/CUL	CSA	IEC/EN 60079-7
250	-	-	-
32 / 4	- / -	-	-
4	-	-	-
26 - 10	-	-	-
solid	stranded	Ferrule	
		Without / with plastic sleeve	
0.14 - 6	0.14 - 6	0.25 - 4	0.25 - 4
0.14 - 1.5	0.14 - 1.5	0.14 - 1.5	-
			0.5 - 2.5
9			
M 3			
0.6 - 0.8			
PA			
V0			

Technical data			
Width	Length	Height NS 35/7,5	
8.2	55	47.5	
I _{max} [A]	U _{max} [V]	max. Ø [mm ²]	AWG
41	400	0.2 - 10	24 - 8
IEC 60947-7-1			
IEC	UL/CUL	CSA	IEC/EN 60079-7
400	-	-	-
41 / 6	- / -	-	-
6	-	-	-
24 - 8	-	-	-
solid	stranded	Ferrule	
		Without / with plastic sleeve	
0.2 - 10	0.2 - 10	0.25 - 6	0.25 - 6
0.2 - 2.5	0.2 - 2.5	0.25 - 1.5	-
			0.5 - 4
10			
M 4			
1.5 - 1.8			
PA			
V0			

Ordering data			
Type	I _{max}	Order No.	Pcs. / Pkt.
UTN 4		3245024	50

Ordering data			
Type	I _{max}	Order No.	Pcs. / Pkt.
UTN 6		3245037	50

Accessories			
D-UTN 2,5/10		3245079	50
AB-UTN 2,5/10		3245082	50
FBS 2-6	32 A	3030336	50
FBS 3-6	32 A	3030242	50
FBS 4-6	32 A	3030255	50
FBS 5-6	32 A	3030349	50
FBS 10-6	32 A	3030271	10
FBS 20-6	32 A	3030365	10
ATP-UT		3047167	50
NLS-CU 3/10 SN 1000MM	140 A	0402174	10
PAI-4-N GY		3032871	10
MPS-MT		0201744	10
MPS-IH RD		0201676	10
PS-6		3030996	10
SF-SL 0,6X3,5-100 S-VDE		1212587	10

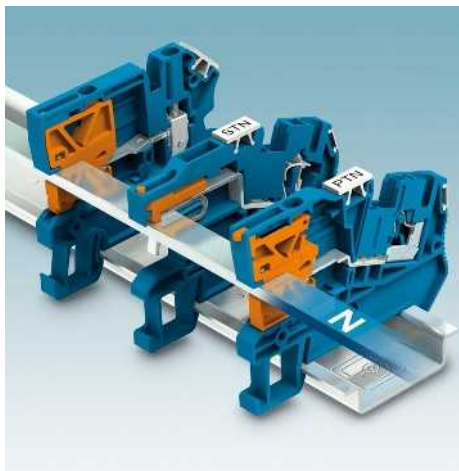
Accessories			
D-UTN 2,5/10		3245079	50
AB-UTN 2,5/10		3245082	50
FBS 2-8	41 A	3030284	10
FBS 3-8	41 A	3030297	10
FBS 4-8	41 A	3030307	10
FBS 5-8	41 A	3030310	10
FBS 10-8	41 A	3030323	10
ATP-UT		3047167	50
NLS-CU 3/10 SN 1000MM	140 A	0402174	10
PAI-4-N GY		3032871	10
PS-8		3031005	10
SZS 1,0X4,0 VDE		1205066	10

UC-TM 6, UCT-TM 6 or ZB 6 (see Catalog 5)

UC-TM 8, UCT-TM 8 or ZB 8 (see Catalog 5)

UTI screw connection installation terminal blocks

UTN ... installation neutral conductor disconnect terminal blocks



- All UTN 2,5 - UTN 16 neutral conductor disconnect terminal blocks have a screwless disconnect slide
- When this is levered over with a standard screwdriver, the contact fork slides onto the busbar
- Engaging the slide in the end positions provides additional protection against accidental contacting
- Same shape as UT standard terminal blocks

AGK 4-UT... pick-off terminal blocks

- The fully insulated pick-off terminal block (optional use) permits a voltage pick-off up to a nominal voltage of 400 V (4 mm²)
- Large area for labeling

Notes:
Assembly instructions: For secure fastening of the neutral busbar, supports must be set at the beginning and end of each terminal strip as well as every 20 cm on longer terminal strips.
For L/N/PE AKG ... connection terminal blocks, see page 94.



10 (16) mm², 57 A, neutral disconnect terminal block



Dimensions		
		[mm]
Max. electrical data		
Rated data		
Rated voltage		[V]
Nominal current / cross section		[A] / [mm ²]
Rated cross section		[mm ²]
Cross section range		AWG
Connection capacity		
1 conductor		[mm ²]
Two conductors (of the same type)		[mm ²]
Two stranded conductors with a TWIN ferrule		[mm ²]
General data		
Stripping length		[mm]
Screw thread		
Disconnect slide: thread / torque		- / [Nm]
Tightening torque		[Nm]
Insulating material		
Inflammability class according to UL 94		

Technical data				
Width	Length	Height NS 35/7,5		
10.2	55	47.5		
I _{max} [A]	U _{max} [V]	max. Ø [mm ²]	AWG	
57	400	0.5 - 16	20 - 6	
IEC 60947-7-1				
IEC	UL/CUL	CSA	IEC/EN 60079-7	
400	-	-	-	
57 / 10	- / -	-	-	
10	-	-	-	
20 - 6	-	-	-	
Connection capacity		solid	stranded	Ferrule
		Without / with plastic sleeve		
0.5 - 16	0.5 - 16	0.5 - 10	0.5 - 10	
0.5 - 4	0.5 - 4	0.5 - 2.5	-	
		0.5 - 6		
-				
10				
M 4				
Disconnect slide: thread / torque	- / -			
Tightening torque	1.5 - 1.8			
Insulating material	PA			
Inflammability class according to UL 94	V0			

Description	No. of pos.	Color
Neutral disconnect terminal block, for mounting on NS 35...		blue

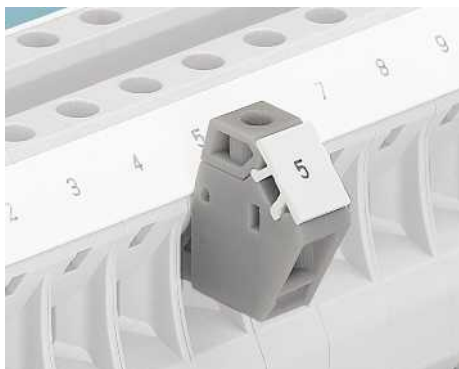
Ordering data			
Type	I _{max}	Order No.	Pcs. / Pkt.
UTN 10		3245040	50

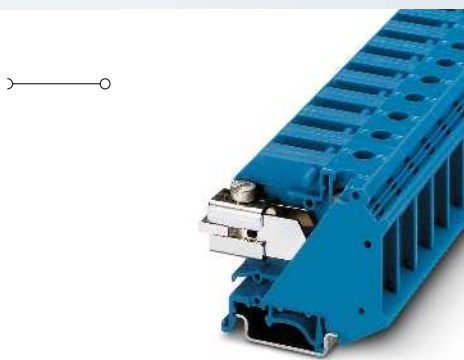
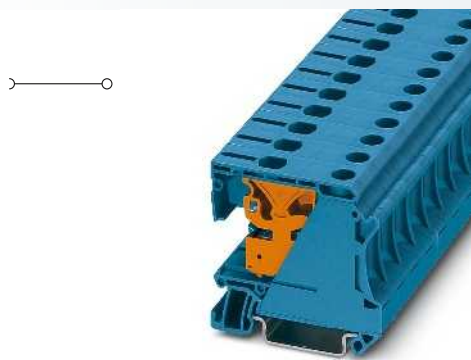
Pick-off terminal block, for snapping into the lateral guide		gray
Cover, width 2.2 mm		blue
Support, to hold the neutral busbar, set every 20 cm, 2 mm wide		blue
Plug-in bridge		
	2	red
Partition plate, 2 mm width		gray
PEN conductor busbar, 3 x 10 mm, 1 m long, material: copper, tin-plated, nominal current: 140 A		silver

Accessories			
AGK 4-UT 10		3047112	50
D-UTN 2,5/10		3245079	50
AB-UTN 2,5/10		3245082	50
FBS 2-10	57 A	3005947	10
ATP-UT		3047167	50
NLS-CU 3/10 SN 1000MM	140 A	0402174	10
SZS 1,0X4,0 VDE		1205066	10

Screwdriver
UniCard sheet for labeling the lateral groove

UC-TM 10, UCT-TM 10 or ZB 10 (see Catalog 5)
--





16 (25) mm², 76 A, neutral disconnect terminal block

35 (35) mm², 110 A, neutral disconnect terminal block



Technical data			
Width	Length	Height NS 35/7,5	
12.2	55	50.5	
I_{max} [A]	U_{max} [V]	max. Ø [mm ²]	AWG
76	400	6 - 25	10 - 4
IEC 60947-7-1			
IEC	UL/CUL	CSA	IEC/EN 60079-7
400	-	-	-
76 / 16	- / -	-	-
16	-	-	-
10 - 4	-	-	-
solid	stranded	Ferrule Without / with plastic sleeve	
6 - 25	6 - 16	6 - 16	6 - 16
2.5 - 10	2.5 - 6	4 - 6	-
			4 - 6
12			
M5			
- / -			
2.5 - 3			
PA			
V2			

Technical data			
Width	Length	Height NS 35/7,5	
15	55	51	
I_{max} [A]	U_{max} [V]	max. Ø [mm ²]	AWG
110	400	0.75 - 35	18 - 2
IEC 60947-7-1			
IEC	UL/CUL	CSA	IEC/EN 60079-7
400	-	-	-
110 / 35	- / -	-	-
35	-	-	-
18 - 2	-	-	-
solid	stranded	Ferrule Without / with plastic sleeve	
0.75 - 35	0.75 - 35	0.75 - 35	0.75 - 35
0.75 - 10	0.75 - 10	0.75 - 10	-
			0.75 - 6
16			
M6			
M5 / 2.5 - 3			
3.2 - 3.7			
PA			
V2			

Ordering data			
Type	I_{max}	Order No.	Pcs. / Pkt.
UTN 16		3245053	50

Ordering data			
Type	I_{max}	Order No.	Pcs. / Pkt.
UTN 35		3245066	50

Accessories			
AGK 4-UT 16		3047125	50
AB-UTN 2,5/10		3245082	50
NLS-CU 3/10 SN 1000MM	140 A	0402174	10
SZS 1,0X4,0 VDE		1205066	10

Accessories			
AB-UTN 2,5/10		3245082	50
NLS-CU 3/10 SN 1000MM	140 A	0402174	10
SZS 1,0X4,0 VDE		1205066	10

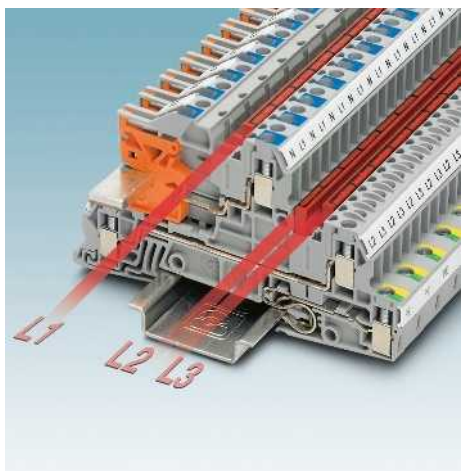
UC-TM 12, UCT-TM 12 or ZB 12
(see Catalog 5)

UC-TM 12, UCT-TM 12 or ZB 15
(see Catalog 5)

Modular terminal blocks - CLIPLINE complete

UTI screw connection installation terminal blocks

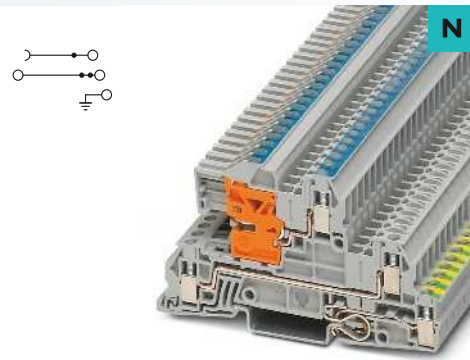
UTI 2,5... three-level installation terminal blocks



- Optimum operating convenience with extremely compact design
- Quickly wire load circuits with a pitch of just 5.2 mm
- Double function shafts on all levels
- Every terminal point can be clearly labeled and clearly seen in every terminal block installation position

CLIP PROJECT Planning enables the quick and convenient planning and configuration of fault-free terminal strips.

Notes:
For current carrying capacity of DIN rails, see page 716.
Assembly instructions:
For secure fastening of the neutral busbar, supports must be set at the beginning and end of each terminal strip as well as every 20 cm on longer terminal strips.
1) 3-pos. termination block.



4 (4) mm², 30 A, three-level terminal block, 1 x L phase conductor, 1 x N conductor can be disconnected, 1 x PE

Dimensions	[mm]
Max. electrical data	
Rated data	
Rated voltage	[V]
Phase conductor / phase conductor	[V]
Phase conductor / PE	[V]
Phase conductor / N	[V]
Nominal current / cross section	[A] / [mm ²]
Rated cross section	[mm ²]
Cross section range	AWG
Connection capacity	
1 conductor	[mm ²]
Two conductors (of the same type)	[mm ²]
Two stranded conductors with a TWIN ferrule	[mm ²]
General data	
Stripping length	[mm]
Screw thread	
Tightening torque	[Nm]
Insulating material	
Inflammability class according to UL 94	

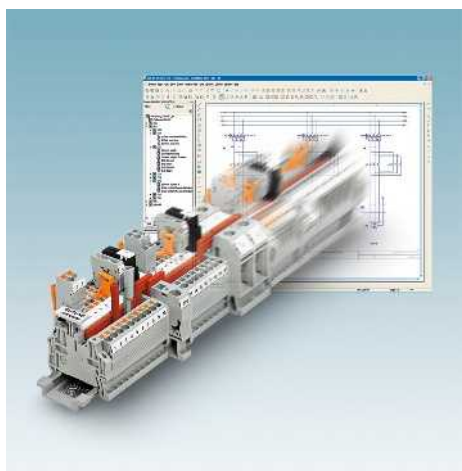
Technical data				
Width	Length	Height NS 35/7,5		
5.2	93.5	51.5		
I _{max} [A]	U _{max} [V]	max. Ø [mm ²]	AWG	
30 ¹⁾	400	0.2 - 4	24 - 12	
IEC	UL/CUL	CSA	IEC/EN 60079-7	
400	300	-	-	
400	-	-	-	
250	-	-	-	
250	-	-	-	
24 / 4	20 / -	-	-	
4	-	-	-	
24 - 12	26-12	-	-	
solid	stranded	Ferrule		
		Without / with plastic sleeve		
0.2 - 4	0.2 - 4	0.25 - 2.5	0.25 - 2.5	
0.2 - 1.5	0.2 - 1.5	0.25 - 0.75	-	
		0.5 - 0.75		

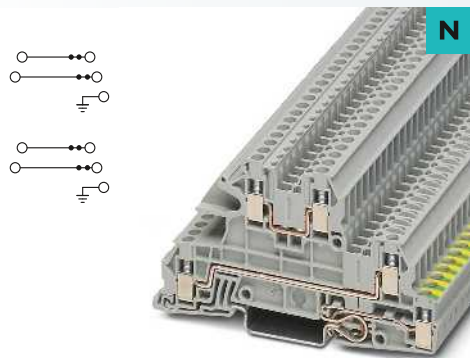
Description	No. of pos.	Color
Terminal block, for mounting on NS 35...		gray
		gray

Ordering data			
Type	I _{max}	Order No.	Pcs. / Pkt.
UTI 2,5-PE/L/NT		3076028	50

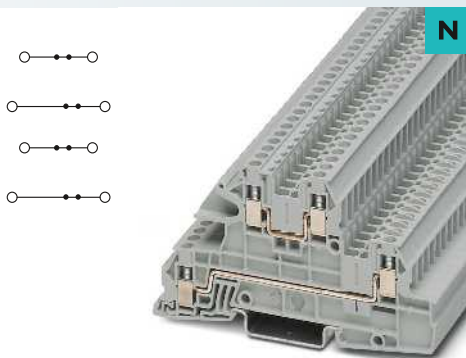
Cover, width 2.2 mm		gray
Plug-in bridge		
	2	red
	3	red
	4	red
	5	red
	10	red
	20	red
PEN conductor busbar, 3 x 10 mm, 1 m long, material: copper, tin-plated, nominal current: 140 A		silver
Test plug metal part, 2.3 mm Ø		
Insulating sleeve, for MPS metal part		red
Modular test plug, for the individual assembly of test plug strips		red
Support, to hold the neutral busbar, set every 20 cm, 2.2 mm wide		blue
Partition plate, 2.2 mm wide		gray
Marker adapter, 300 mm long, can be snapped into the lateral groove on modular terminal blocks, designed to accommodate ZB ... or UC-TM ...		gray
Screwdriver		
Center groove labeling		
Center and lateral groove labeling		

Accessories			
Type	I _{max}	Order No.	Pcs. / Pkt.
D-UTI/3		3076036	50
FBS 2-5	24 A	3030161	50
FBS 3-5	24 A	3030174	50
FBS 4-5	24 A	3030187	50
FBS 5-5	24 A	3030190	50
FBS 10-5	24 A	3030213	10
FBS 20-5	24 A	3030226	10
NLS-CU 3/10 SN 1000MM	140 A	0402174	10
MPS-MT		0201744	10
MPS-IH RD		0201676	10
PS-5		3030983	10
AB-UTI/3		3076038	50
ATP-PTI/3		3213990	50
CARRIER-TM 300		0828282	25
SZS 1,0X4,0 VDE		1205066	10
UC-TMF 5, UCT-TMF 5 or ZBF 5 (see Catalog 5)			

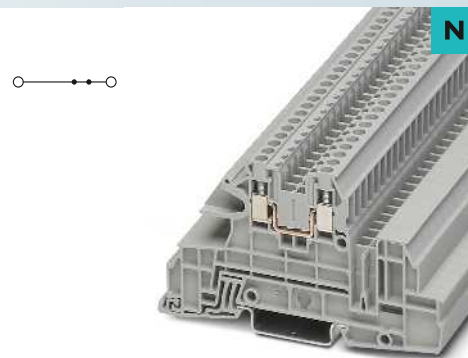




4 (4) mm², 30 A, three-level terminal block,
2 x L phase conductor, 1 x PE



4 (4) mm², 30 A, three-level terminal block,
2 x L phase conductor



4 (4) mm², 30 A, three-level terminal block,
1 x L phase conductor



Technical data			
Width	Length	Height NS 35/7,5	
5.2	93.5	51.5	
I_{max} [A]	U_{max} [V]	max. Ø [mm ²]	AWG
30 ¹⁾	400	0.2 - 4	24 - 12
IEC	UL/CUL	CSA	IEC/EN 60079-7
400	300	-	-
400	-	-	-
250	-	-	-
-	-	-	-
24 / 4	20 / -	-	-
4	-	-	-
24 - 12	26-12	-	-
solid	stranded	Ferrule Without / with plastic sleeve	
0.2 - 4	0.2 - 4	0.25 - 2.5	0.25 - 2.5
0.2 - 1.5	0.2 - 1.5	0.25 - 0.75	-
			0.5 - 0.75
9	M3	0.5 - 0.6	PA
			V0

Technical data			
Width	Length	Height NS 35/7,5	
5.2	93.5	51.5	
I_{max} [A]	U_{max} [V]	max. Ø [mm ²]	AWG
30 ¹⁾	400	0.2 - 4	24 - 12
IEC	UL/CUL	CSA	IEC/EN 60079-7
400	300	-	-
400	-	-	-
-	-	-	-
-	-	-	-
24 / 4	20 / -	-	-
4	-	-	-
24 - 12	26-12	-	-
solid	stranded	Ferrule Without / with plastic sleeve	
0.2 - 4	0.2 - 4	0.25 - 2.5	0.25 - 2.5
0.2 - 1.5	0.2 - 1.5	0.25 - 0.75	-
			0.5 - 0.75
9	M3	0.5 - 0.6	PA
			V0

Technical data			
Width	Length	Height NS 35/7,5	
5.2	93.5	51.5	
I_{max} [A]	U_{max} [V]	max. Ø [mm ²]	AWG
30 ¹⁾	400	0.2 - 4	24 - 12
IEC	UL/CUL	CSA	IEC/EN 60079-7
400	300	-	-
400	-	-	-
-	-	-	-
-	-	-	-
24 / 4	20 / -	-	-
4	-	-	-
24 - 12	26-12	-	-
solid	stranded	Ferrule Without / with plastic sleeve	
0.2 - 4	0.2 - 4	0.25 - 2.5	0.25 - 2.5
0.2 - 1.5	0.2 - 1.5	0.25 - 0.75	-
			0.5 - 0.75
9	M3	0.5 - 0.6	PA
			V0

Ordering data			
Type	I_{max}	Order No.	Pcs. / Pkt.
UTI 2,5-PE/L/L		3076029	50
UTI 2,5-PE/L/N		3076030	50

Ordering data			
Type	I_{max}	Order No.	Pcs. / Pkt.
UTI 2,5-L/L		3076031	50
UTI 2,5-L/N		3076035	50

Ordering data			
Type	I_{max}	Order No.	Pcs. / Pkt.
UTI 2,5-L		3076034	50

Accessories			
D-UTI/3		3076036	50
FBS 2-5	24 A	3030161	50
FBS 3-5	24 A	3030174	50
FBS 4-5	24 A	3030187	50
FBS 5-5	24 A	3030190	50
FBS 10-5	24 A	3030213	10
FBS 20-5	24 A	3030226	10
NLS-CU 3/10 SN 1000MM	140 A	0402174	10
MPS-MT		0201744	10
MPS-IH RD		0201676	10
PS-5		3030983	10
AB-UTI/3		3076038	50
ATP-PTI/3		3213990	50
CARRIER-TM 300		0828282	25
SZS 1,0X4,0 VDE		1205066	10

Accessories			
D-UTI/3		3076036	50
FBS 2-5	24 A	3030161	50
FBS 3-5	24 A	3030174	50
FBS 4-5	24 A	3030187	50
FBS 5-5	24 A	3030190	50
FBS 10-5	24 A	3030213	10
FBS 20-5	24 A	3030226	10
NLS-CU 3/10 SN 1000MM	140 A	0402174	10
MPS-MT		0201744	10
MPS-IH RD		0201676	10
PS-5		3030983	10
AB-UTI/3		3076038	50
ATP-PTI/3		3213990	50
CARRIER-TM 300		0828282	25
SZS 1,0X4,0 VDE		1205066	10

Accessories			
D-UTI/3		3076036	50
FBS 2-5	24 A	3030161	50
FBS 3-5	24 A	3030174	50
FBS 4-5	24 A	3030187	50
FBS 5-5	24 A	3030190	50
FBS 10-5	24 A	3030213	10
FBS 20-5	24 A	3030226	10
NLS-CU 3/10 SN 1000MM	140 A	0402174	10
MPS-MT		0201744	10
MPS-IH RD		0201676	10
PS-5		3030983	10
AB-UTI/3		3076038	50
ATP-PTI/3		3213990	50
CARRIER-TM 300		0828282	25
SZS 1,0X4,0 VDE		1205066	10

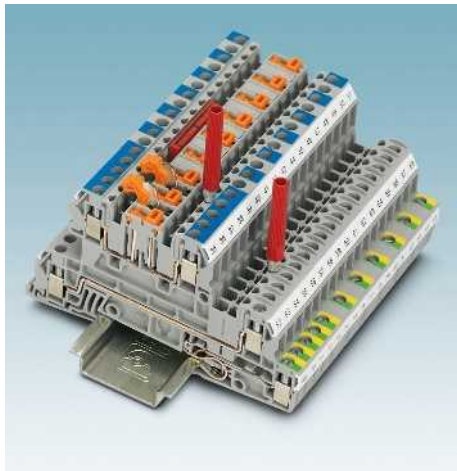
UC-TM 5, UCT-TM 5 or ZB 5
(see Catalog 5)
UC-TMF 5, UCT-TMF 5 or ZBF 5
(see Catalog 5)

UC-TM 5, UCT-TM 5 or ZB 5
(see Catalog 5)
UC-TMF 5, UCT-TMF 5 or ZBF 5
(see Catalog 5)

UC-TM 5, UCT-TM 5 or ZB 5
(see Catalog 5)
UC-TMF 5, UCT-TMF 5 or ZBF 5
(see Catalog 5)

UTI screw connection installation terminal blocks

UTI 2,5... three-level installation terminal blocks

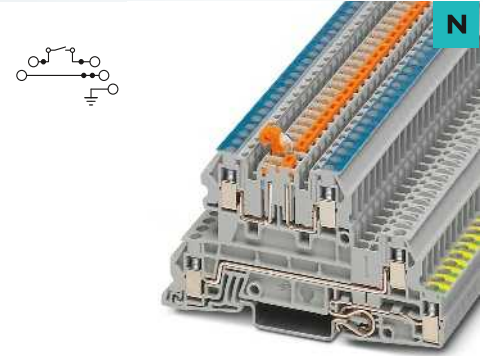


- The terminal blocks with the knife disconnect zone in the upper level comply with the safety requirement of single circuit disconnection according to DIN VDE 0100-718
- Knife disconnect terminal block with a current carrying capacity of 16 A
- Seamless and can be double bridged for all tasks in time-saving potential supply and distribution
- Testing facility on both sides of the disconnect point
- Optimum operating convenience with extremely compact design
- Quickly wire load circuits with a pitch of just 5.2 mm
- Double function shafts on all levels
- Every terminal point can be clearly labeled and clearly seen in every terminal block installation position

S-MT switching lock

- The optional switching lock snaps in and effectively prevents accidental switching

Notes:
For current carrying capacity of DIN rails, see page 716.
1) 3-pos. termination block.
2) Also see page 480.



4 (4) mm², 30 A, three-level terminal block, 1 x L phase conductor, 1 x N conductor can be disconnected, 1 x PE



Dimensions		[mm]	
Max. electrical data			
Rated data			
Rated voltage	[V]	400	300
Phase conductor / phase conductor	[V]	400	-
Phase conductor / PE	[V]	250	-
Phase conductor / N	[V]	250	-
Nominal current / cross section	[A] / [mm ²]	24 / 4	20 / -
Rated cross section	[mm ²]	4	-
Cross section range	AWG	24 - 12	26-12
Disconnect level rated data			
Nominal current / cross section		[A] / [mm ²]	16 / 1.5
Connection capacity			
1 conductor	[mm ²]	0.2 - 4	0.2 - 4
Two conductors (of the same type)	[mm ²]	0.2 - 1.5	0.2 - 1.5
Two stranded conductors with a TWIN ferrule	[mm ²]		
General data			
Stripping length	[mm]	9	
Screw thread		M3	
Tightening torque	[Nm]	0.5 - 0.6	
Insulating material		PA	
Inflammability class according to UL 94		V0	

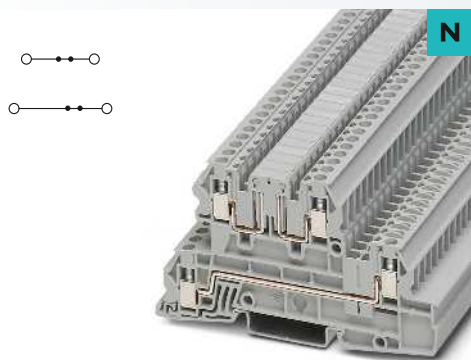
Technical data				
Width	Length	Height NS 35/7.5		
5.2	93.5	51.5		
I _{max} [A]	U _{max} [V]	max. Ø [mm ²]	AWG	
30 ¹⁾	400	0.2 - 4	24 - 12	
IEC	UL/CUL	CSA	IEC/EN 60079-7	
16	20	16	16	
Connection capacity				
Nominal current / cross section		[A] / [mm ²]	16 / 1.5	
Connection capacity			Ferrule	
			Without / with plastic sleeve	
0.2 - 4	0.2 - 4	0.25 - 2.5	0.25 - 2.5	
0.2 - 1.5	0.2 - 1.5	0.25 - 0.75	-	
			0.5 - 0.75	

Ordering data			
Type	I _{max}	Order No.	Pcs. / Pkt.
UTI 2,5-PE/L/NTB		3076032	50

Accessories			
D-UTI/3		3076036	50
FBS 2-5	24 A	3030161	50
FBS 3-5	24 A	3030174	50
FBS 4-5	24 A	3030187	50
FBS 5-5	24 A	3030190	50
FBS 10-5	24 A	3030213	10
FBS 20-5	24 A	3030226	10
PAI-4-N GY		3032871	10
MPS-MT		0201744	10
MPS-IH RD		0201676	10
PS-5		3030983	10
ATP-PTI/3		3213990	50
S-MT		3247954	50
CARRIER-TM 300		0828282	25
SZS 1,0X4,0 VDE		1205066	10

Description	No. of pos.	Color
Terminal block, for mounting on NS 35...		gray
Cover, width 2.2 mm		gray
Plug-in bridge		
	2	red
	3	red
	4	red
	5	red
	10	red
	20	red
Test adapter, 4-mm test socket hole		gray
Test plug metal part, 2.3 mm Ø		
Insulating sleeve, for MPS metal part		red
Modular test plug, for the individual assembly of test plug strips		red
Partition plate, 2.2 mm wide		gray
Switching lock, plug-in ²⁾		white
Marker adapter, 300 mm long, can be snapped into the lateral groove on modular terminal blocks, designed to accommodate ZB ... or UC-TM ...		gray
Screwdriver		
Center and lateral groove labeling		

UC-TMF 5, UCT-TMF 5 or ZBF 5 (see Catalog 5)
--



4 (4) mm², 30 A, three-level terminal block,
2 x L phase conductor



Technical data

Width	Length	Height NS 35/7,5	
5.2	93.5	51.5	
I_{max} [A]	U_{max} [V]	max. Ø [mm ²]	AWG
30 ¹⁾	400	0.2 - 4	24 - 12
IEC	UL/CUL	CSA	IEC/ EN 60079-7
400	300	-	-
400	-	-	-
-	-	-	-
-	-	-	-
24 / 4	20 / -	-	-
4	-	-	-
24 - 12	26-12	-	-
IEC	UL/CUL	CSA	IEC/ EN 60079-7
16 / 1.5	20 / -	-	-
solid	stranded	Ferrule	
		Without / with plastic sleeve	
0.2 - 4	0.2 - 4	0.25 - 2.5	0.25 - 2.5
0.2 - 1.5	0.2 - 1.5	0.25 - 0.75	-
			0.5 - 0.75

9
M3
0.5 - 0.6
PA
V0

Ordering data

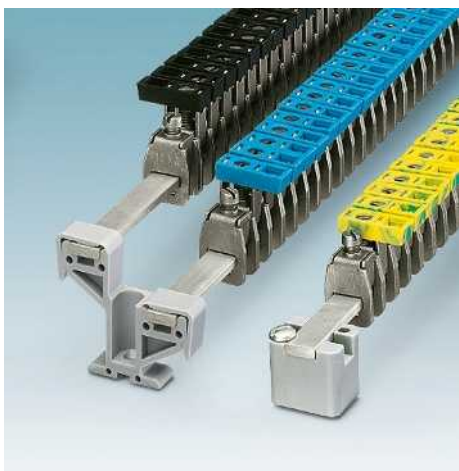
Type	I_{max}	Order No.	Pcs. / Pkt.
UTI 2,5-L/LB		3076033	50

Accessories

D-UTI/3		3076036	50
FBS 2-5	24 A	3030161	50
FBS 3-5	24 A	3030174	50
FBS 4-5	24 A	3030187	50
FBS 5-5	24 A	3030190	50
FBS 10-5	24 A	3030213	10
FBS 20-5	24 A	3030226	10
PAI-4-N GY		3032871	10
MPS-MT		0201744	10
MPS-IH RD		0201676	10
PS-5		3030983	10
ATP-PTI/3		3213990	50
CARRIER-TM 300		0828282	25
SZS 1,0X4,0 VDE		1205066	10

UC-TMF 5, UCT-TMF 5 or ZBF 5
(see Catalog 5)

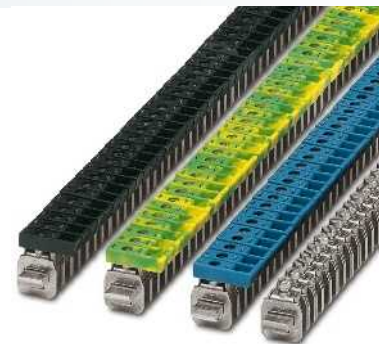
L/N/PE connection terminal blocks



– In electrical systems subject to the setup requirements of DIN VDE 0100 or IEC 60204-1 / EN 60204-1 / VDE 0113-1, N, PE or phase conductor L are often connected to central busbars. This requires the conductor and/or terminal block to be clearly labeled for the corresponding circuit.

The connection terminal blocks satisfy these requirements in several ways:

- Through individual labeling of each terminal block
- By their blue, green-yellow or black colored housings
- Large labeling possible with ZB, UC-TM, UCT-TM



4 (6) mm², 41 A, connection terminal blocks

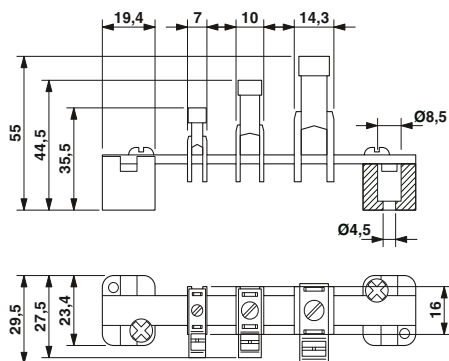


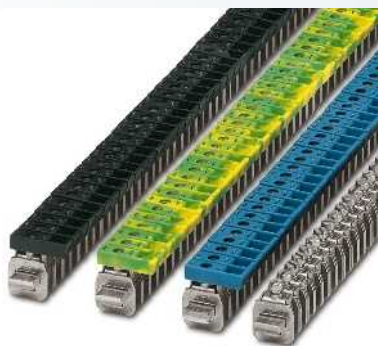
Dimensions	
	[mm]
Max. electrical data	
Rated data	
Rated voltage	[V]
Nominal current / cross section	[A] / [mm ²]
Rated cross section	[mm ²]
Cross section range	AWG
Connection capacity	
1 conductor	[mm ²]
Two conductors (of the same type)	[mm ²]
Two stranded conductors with a TWIN ferrule	[mm ²]
General data	
Stripping length	[mm]
Screw thread	
Tightening torque	[Nm]
Insulating material	
Inflammability class according to UL 94	

Technical data				
Width	Length	Height		
7	23.7	23.6		
I_{max} [A]		max. Ø [mm ²]	AWG	
41		0.5 - 6	20 - 10	
IEC	UL/CUL	CSA	IEC/EN 60079-7	
-	300	-	-	
41 / 4	20 / -	-	-	
4	-	-	-	
20 - 10	22-12	-	-	
solid	stranded		Ferrule	
			Without / with plastic sleeve	
0.5 - 6	0.5 - 4	0.5 - 6	0.5 - 6	
0.5 - 2.5	0.5 - 2.5	0.5 - 2.5	-	
			0.5 - 2.5	

Description	Color
Connection terminal block , steel, pushed onto NLS neutral busbar, can be labeled with ZB ...	black
Up to 6 mm ² solid, 7 mm wide	green-yellow
Up to 6 mm ² solid, 7 mm wide	blue
Without insulating cap	silver
Connection terminal block , steel, pushed onto NLS neutral busbar, can be labeled with ZB ...	black
Up to 16 mm ² solid, 10 mm wide	green-yellow
Up to 16 mm ² solid, 10 mm wide	blue
Without insulating cap	silver
Connection terminal block , steel, pushed onto NLS neutral busbar, can be labeled with ZB ...	black
Up to 35 mm ² solid, 14.3 mm wide	green-yellow
Up to 35 mm ² solid, 14.3 mm wide	blue
Without insulating cap	silver

Ordering data			
Type	I_{max}	Order No.	Pcs. / Pkt.
AKG 4 BK		0421032	50
AKG 4 GN		0421029	50
AKG 4 BU		0421016	50
AK 4		0404017	50





16 (16) mm², 76 A, connection terminal blocks



35 (35) mm², 125 A, connection terminal blocks



Technical data

Width	Length	Height	
9.8	23.7	29	
I_{max} [A]		max. Ø [mm ²]	AWG
76		1.5 - 16	16 - 6
IEC	UL/CUL	CSA	IEC/EN 60079-7
-	300	-	-
76 / 16	50 / -	65 / -	-
16	-	-	-
16 - 6	18-6	18-6	-
solid	stranded	Ferrule	
		Without / with plastic sleeve	
1.5 - 16	1.5 - 16	1.5 - 16	1.5 - 16
1.5 - 6	1.5 - 6	1.5 - 6	-
			1.5 - 10

Technical data

Width	Length	Height	
14.3	27	39	
I_{max} [A]		max. Ø [mm ²]	AWG
125		2.5 - 35	14 - 2
IEC / EN	UL/CUL	CSA	IEC/EN 60079-7
-	300	-	-
125 / 35	115 / -	135 / -	-
35	-	-	-
14 - 2	18-2	18-2	-
solid	stranded	Ferrule	
		Without / with plastic sleeve	
2.5 - 35	2.5 - 35	2.5 - 35	2.5 - 35
1.5 - 16	1.5 - 16	1.5 - 16	-
			1.5 - 10

16
M5
2.3 - 3
PA
V2

16
M6
3.2 - 3.7
PA
V2

Ordering data

Type	Order No.	Pcs. / Pkt.
AKG 16 BK	0423030	50
AKG 16 GNYE	0423027	50
AKG 16 BU	0423014	50
AK 16	0404033	50

Ordering data

Type	Order No.	Pcs. / Pkt.
AKG 35 BK	0424039	50
AKG 35 GNYE	0424026	50
AKG 35 BU	0424013	50
AK 35	0404046	50

Neutral busbar



3 x 10 mm



6 x 6 mm

Dimensions	[mm]
General data	
Material	Copper

Description	Color
PEN conductor busbar , 3 x 10 mm, 1 m long, material: copper, tin-plated, nominal current: 140 A	silver
PEN conductor busbar , in accordance with DIN VDE 0611-4, 6 x 6 mm, 1 m long, material: copper, tin-plated, nominal current: 140 A	silver

Technical data		
Width	Length	Height
10	1000	3

Ordering data		
Type	Order No.	Pcs. / Pkt.
NLS-CU 3/10 SN 1000MM	0402174	10

Technical data		
Width	Length	Height
6	1000	6

Ordering data		
Type	Order No.	Pcs. / Pkt.
NLS-CU 6/ 6 SN 1000MM	0402161	10

Supports for neutral busbars

There is a choice of three support frames available as support for busbars:

- The AB/SS for one rail
- The AB 2/SS for offset arrangement of neutral and (PE) busbars
- The lower ABN 2/SS

Notes:
For dimensional drawings, see www.phoenixcontact.net/products

Y



Support frame for SK shield connection clamps

Y Y

Y Y Y



Support, multi-level, insulated

Dimensions	[mm]
General data	
Material	PA
Inflammability class according to UL 94	V2

Description	Color
Support , insulated, with retaining screw, for 3 x 10 mm or 6 x 6 mm busbars	gray
Double support , insulating material, optionally for use with 3 x 10 mm or 6 x 6 mm neutral busbar	gray
Height 48 mm	gray
Height 36.8 mm	gray
Triple support frame , made from insulation material	gray

Technical data		
Width	Length	Height
19.4	23.4	21.7

Ordering data		
Type	Order No.	Pcs. / Pkt.
AB/SS	0404428	10

Technical data		
Width	Length	Height
19	42	48

Ordering data		
Type	Order No.	Pcs. / Pkt.
AB2/SS	0404431	10
ABN 2/SS	0404460	10
AB3/SS	0800086	10

Power terminal blocks



10 (16) mm², 76 A, power terminal block



35 (35) mm², 125 A, power terminal block

Dimensions	[mm]
Max. electrical data	
Rated data	
Nominal current / cross section	[A] / [mm ²]
Connection capacity	
1 conductor	[mm ²]
Two conductors (of the same type)	[mm ²]
General data	
Stripping length	[mm]
Tightening torque	[Nm]

Technical data				
Width	Length	Height		
8	40	36		
I _{max} [A]	max. Ø [mm ²]		AWG	
76	0.5 - 16		20 - 6	
IEC	UL/CUL	CSA	IEC/ EN 60079-7	
57 / 10	- / -	-	-	
Connection capacity		Ferrule		
solid		stranded		Without / with plastic sleeve
0.5 - 16	0.5 - 10	0.5 - 16	0.5 - 10	
0.5 - 10	0.5 - 10	0.5 - 10	-	
14		2.5 - 3		

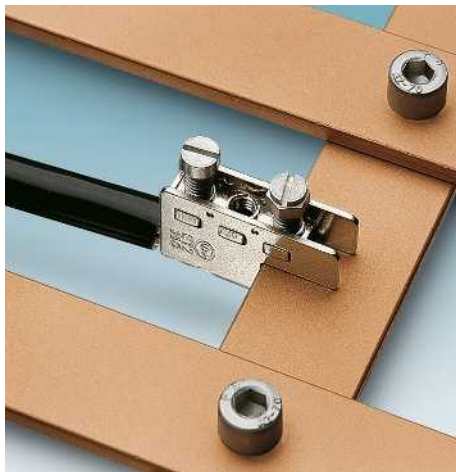
Technical data				
Width	Length	Height		
12	40	37		
I _{max} [A]	max. Ø [mm ²]		AWG	
125	0.75 - 35		18 - 2	
IEC	UL/CUL	CSA	IEC/ EN 60079-7	
125 / 35	- / -	-	-	
Connection capacity		Ferrule		
solid		stranded		Without / with plastic sleeve
0.75 - 35	0.75 - 35	0.75 - 35	0.75 - 35	
0.75 - 10	0.75 - 10	0.75 - 10	-	
14		3.2 - 3.7		

Description	Color
Power terminal block, copper, nickel-plated	aluminum

Ordering data			
Type	I _{max}	Order No.	Pcs. / Pkt.
EK 116		0401010	10

Ordering data			
Type	I _{max}	Order No.	Pcs. / Pkt.
EK 135		0401023	10

Branch terminals



- A branch of flat copper busbars often has to be produced in switch systems
- This can be done easily with the branch terminal because the terminal block can be attached and firmly clamped anywhere on a copper rail (up to max. 5 mm thick) later on



35 (35) mm², 125 A, branch terminal

Dimensions	[mm]
Max. electrical data	
Rated data	
Nominal current / cross section	[A] / [mm ²]
Connection capacity	
1 conductor	[mm ²]
Two conductors (of the same type)	[mm ²]
Two stranded conductors with a TWIN ferrule	[mm ²]
General data	
Stripping length	[mm]
Tightening torque	[Nm]

Technical data				
Width	Length	Height		
12	40	36		
I _{max} [A]	max. Ø [mm ²]		AWG	
125	0.75 - 35		18 - 2	
IEC	UL/CUL	CSA	IEC/ EN 60079-7	
125 / 35	- / -	-	-	
Connection capacity		Ferrule		
solid		stranded		Without / with plastic sleeve
0.75 - 35	0.75 - 35	0.75 - 35	0.75 - 35	
0.75 - 10	0.75 - 10	0.75 - 10	-	
15		3.2 - 3.7		

Description	Color
Branch terminal, for connection to copper bars up to 5 mm thick	aluminum

Ordering data			
Type	I _{max}	Order No.	Pcs. / Pkt.
AZK 35		0702997	10



- The branch terminals from the UDB ... series are suitable for the simple voltage pick-off of main supply cables up to 35 mm².
- The UDB ... blocks are used in counter and marshalling cabinets
- They meet the requirements of DIN VDE 0603-2/EN 60998-1
- The touch-proof blocks can be snapped together in a modular fashion depending on the application and attached to NS 35 DIN rails according to EN 60715
- Available in two terminal block versions up to 25 mm² or up to 35 mm²
- Available in the five current conductor colors, e.g., for three-phase cables



25 (25) mm², 101 A, trunk line branch terminal, 2 x 16 mm² feeders

Dimensions	[mm]	Width	Length	Height NS 35/7,5
		23	46	42
Max. electrical data		I_{max} [A]	U_{max} [V]	max. Ø [mm ²] AWG
		101	400	1.5 - 25 8 - 2
Rated data		Rated voltage [V]	Nominal current / cross section [A] / [mm ²]	Rated cross section [mm ²]
		400	101 / 25	25
			Rated cross section [mm ²]	Cross section range AWG
			25	8 - 2
Supply connection capacity		1 conductor [mm ²]	Branch connection capacity	
		1 conductor [mm ²]	1 conductor [mm ²]	
		1.5 - 25	10 - 25	1.5 - 16 1.5 - 10
General data		Stripping length [mm]	Insulating material	Inflammability class according to UL 94
		16	PA	V0

Technical data				
Width	Length	Height NS 35/7,5		
23	46	42		
I_{max} [A]	U_{max} [V]	max. Ø [mm ²]	AWG	
101	400	1.5 - 25	8 - 2	
IEC 60998-1	UL/CUL	CSA	IEC/EN 60079-7	
400	-	-	-	
101 / 25	- / -	- / -	-	
25	-	-	-	
8 - 2	-	-	-	
solid	stranded		Ferrule	
			Without / with plastic sleeve	
1 conductor [mm ²]	10 - 25	1.5 - 16	1.5 - 10	
1 conductor [mm ²]	1.5 - 16	-	1.5 - 10 1.5 - 6	
Stripping length [mm]	Insulating material	Inflammability class according to UL 94		
16	PA	V0		

Description	Color
Terminal block, for mounting on NS 35...	gray black brown blue green

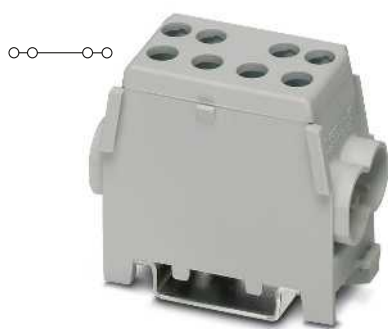
Ordering data		
Type	Order No.	Pcs. / Pkt.
UDB 2X25/16 GY	3071355	5
UDB 2X25/16 BK	3071356	5
UDB 2X25/16 BN	3071357	5
UDB 2X25/16 BU	3071358	5
UDB 2X25/16 GN	3071359	5

Screwdriver	Marking
SF-PZSL 1-80 VDE	0815677 EML (15X9)R

Accessories		
SF-PZSL 1-80 VDE	1212556	10
0815677 EML (15X9)R		



N



**35 (35) mm², 125 A, trunk line branch terminal,
2 x 25 mm² feeders**

Technical data

Width	Length	Height NS 35/7,5	
27	55	46	
I_{max} [A]	U_{max} [V]	max. Ø [mm ²]	AWG
125	400	10 - 35	8 - 2
IEC 60998-1			
IEC	UL/CUL	CSA	IEC/ EN 60079-7
400	-	-	-
125 / 35	- / -	- / -	-
35	-	-	-
8 - 2	-	-	-
solid	stranded	Ferrule	
		Without / with plastic sleeve	
10 - 35	10 - 25	10 - 25	10 - 16
solid	stranded	Ferrule	
		Without / with plastic sleeve	
1.5 - 25	-	1.5 - 16	1.5 - 10
25			
PA			
V0			

Ordering data

Type	Order No.	Pcs. / Pkt.
UDB 2X35/25 GY	3071350	5
UDB 2X35/25 BK	3071351	5
UDB 2X35/25 BN	3071352	5
UDB 2X35/25 BU	3071353	5
UDB 2X35/25 GN	3071354	5

Accessories

SF-PZSL 2-100 S-VDE	1212700	10
0815677 EML (15X9)R		