

PT push-in connection terminal blocks

The PT push-in connection terminal blocks from the CLIPLINE complete system have been developed for direct conductor connection and offer a wide range of application options. Easy handling and direct, tool-free connection with up to 50 percent lower insertion forces are the key advantages of this terminal technology. When solid conductors or conductors with ferrules from 0.34 mm² are inserted, the contact spring is automatically opened and provides the required pressure force against the current bar.

The integrated actuation lever allows you to release conductors or to connect small conductor cross sections from 0.14 mm² with any type of tool - easily and without direct contact with live parts.

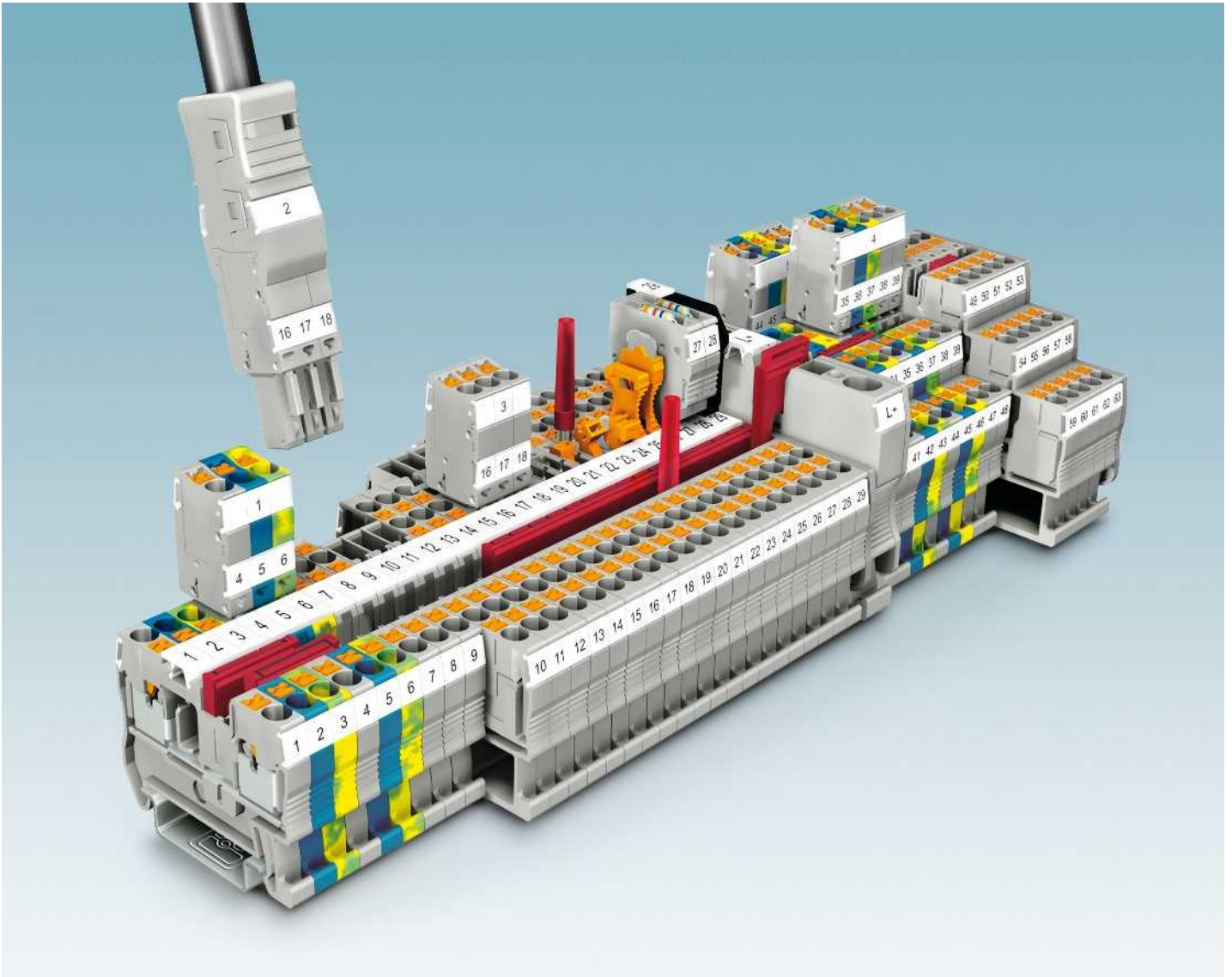
The PT connection technology has been tested and approved for a range of approvals. These include, for example, vibration resistance according to railway standard EN 50155 and shock and corrosion resistance according to current shipbuilding registers. It is also certified for process engineering in areas with increased safety (Ex e).

Product range overview

PT push-in connection terminal blocks	102
Feed-through terminal blocks	104
Ground terminal blocks	112
Feed-through and PE terminal blocks with 3 connections	116
Feed-through and PE terminal blocks with 4 connections	124
Double-level terminal blocks	128
Three-level terminal blocks	134
Three-conductor initiator/actuator terminal blocks	138
Four-conductor initiator/actuator terminal blocks	140
Lever-type fuse and disconnect terminal blocks	142
Fuse terminal blocks for auto flat-type fuses	143
Disconnect terminal blocks for accommodating function plugs	146
Knife disconnect terminal blocks	150
Test disconnect terminal blocks	155
Diode terminal blocks	160
Double-level diode terminal blocks	162
Terminal block bases for potential distribution	166
Desk-design feed-through and double-level terminal blocks	168
Desk-design ground terminal blocks	172
Mini terminal blocks	176
PTI push-in installation terminal blocks	178
Installation terminal blocks	180
Ground terminal blocks	182
Installation neutral conductor disconnect terminal blocks	184
Three-level installation terminal blocks	186
Three-level installation terminal blocks with disconnect zone	195

Modular terminal blocks - CLIPLINE complete

PT push-in connection terminal blocks



Push-in connection technology

The PT series is characterized by the easy, direct conductor connection and makes consistent use of the benefits of the CLIPLINE complete system.



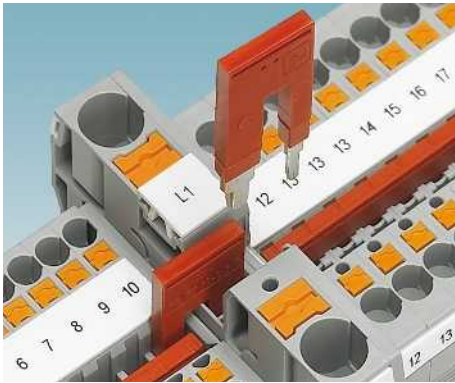
Easy insertion

The up to 50 percent reduction in insertion force offered by push-in technology supports simple and direct insertion of solid and stranded conductors featuring ferrules with a cross section of 0.34 mm² or higher.

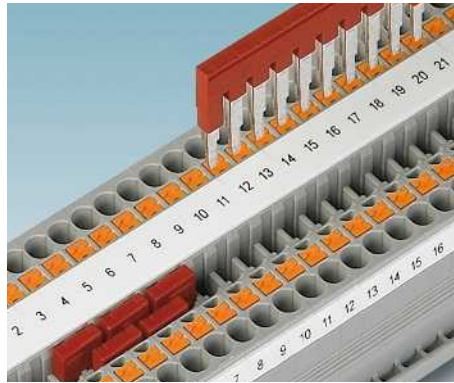


Latch function

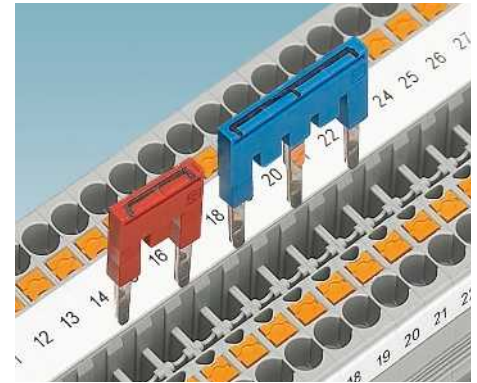
The integrated latch allows you to release connections with any type of tool – easily and without direct contact with live parts.



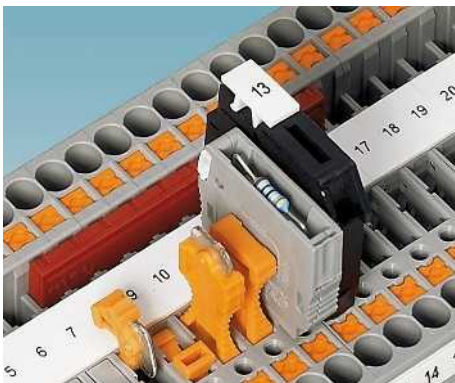
The reducing bridge allows terminal blocks with different nominal cross sections to be connected with ease, e.g., a PT 10 push-in terminal block to a PT 2.5. Power blocks can be created quickly using the reducing bridge.



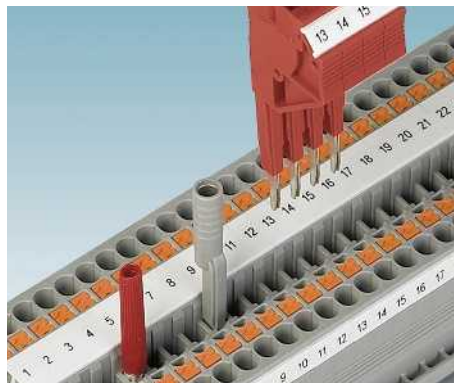
The double function shaft can be used to connect any number of terminal blocks with two-position bridges. The 2 to 50-pos. bridges allow up to 50 terminal blocks to be bridged in one step.



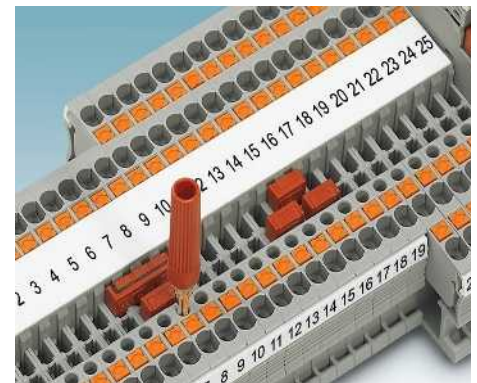
A jumping bridge is created by removing individual contact guides from the standard bridge. Two potentials can then be routed in parallel. The contact points can also be marked.



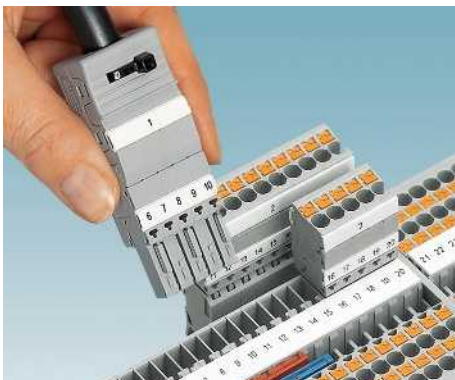
The P-FIX isolated feed-through connector, P-DI isolating plug, P-CO component plug, and P-FU cartridge fuse plug can be used in the universal plug-in zone of the disconnect terminal block.



A test plug with a 2.3 mm diameter is available for measuring lines. All measurement and test work can be completed at speed using test adapters for 4 mm diameter test plugs and the modular test plugs.



As well as offering a testing facility in the double function shaft, all push-in technology terminal blocks offer an additional test contact for test plugs with a 2.3 mm diameter.



Push-in COMBI terminal blocks are available for the plug-in configuration of signal wiring. The system is touch-proof and offers self-assembly plugs with extensive accessories.



Auto flat-type fuse terminal blocks with a 4 mm² conductor connection are available in the same shape as the feed-through terminal blocks. All terminal blocks can be continuously bridged with one another with the double function shaft.

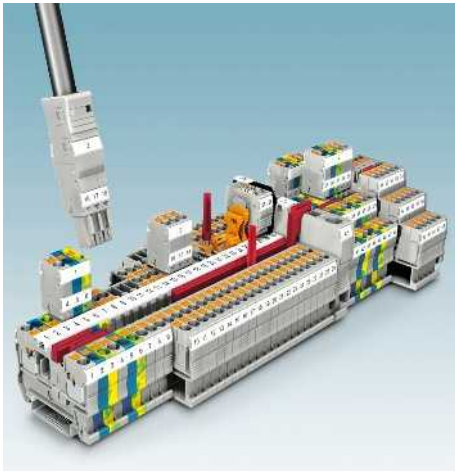


The compact lever-type fuse terminal blocks are of the same shape as the feed-through terminal blocks and can be labeled and bridged continuously. A time-saving potential distribution is easily created using a jumping bridge.

Modular terminal blocks - CLIPLINE complete

PT push-in connection terminal blocks

PT ... feed-through terminal blocks



The push-in connection terminal blocks are characterized by the system features of the CLIPLINE complete system and the following features:

- Single and tool-free wiring of conductors with ferrules or solid conductors
- Stranded conductors with ferrules can be inserted directly with PT 2,5 (from 0.34 mm²) and PT 4 (from 0.5 mm²)
- The actuation lever allows you to release conductors with any type of tool without contacting live parts
- The compact design and front connection enable wiring in a small amount of space
- As well as the testing facility in the dual function shaft, all terminal blocks provide an additional test connection

Terminal strip service

We produce fully pre-assembled terminal strips for fitting straight into the control cabinet or switch system. This simplifies installation, saves time, and cuts costs.

Notes:
1) For installation notes on the use of accessories for Ex e applications, see page 710.
2) The reducing bridge table should be followed, see page 476.



1.5 (1.5) mm², 17.5 A, feed-through terminal block



Dimensions		[mm]
Max. electrical data		
Rated data		
Rated voltage	[V]	500
Nominal current / cross section	[A] / [mm ²]	17.5 / 1.5
Rated cross section	[mm ²]	1.5
Cross section range	AWG	26 - 14
Connection capacity		
1 conductor	[mm ²]	0.14 - 1.5
Two stranded conductors with a TWIN ferrule	[mm ²]	0.14 - 1.5
Direct plug-in connection cross sections	[mm ²]	0.25 - 1.5
General data		
Stripping length	[mm]	8
Insulating material		PA
Inflammability class according to UL 94		V0

Technical data				
Width	Length	Height NS 35/7,5		
3.5	45	32		
I _{max} [A]	U _{max} [V]	max. Ø [mm ²]	AWG	
17.5	500	0.14 - 1.5	26 - 14	
IEC 60947-7-1				
IEC	UL/CUL	CSA	IEC/EN 60079-7	
500	600	600	-	
17.5 / 1.5	15 / -	15 / -	-	
1.5	-	-	-	
26 - 14	26-14	26-14	-	
Connection capacity		Ferrule		
solid	stranded	Without / with plastic sleeve		
0.14 - 1.5	0.14 - 1.5	0.14 - 1.5	0.14 - 1	
0.25 - 1.5	-	0.34 - 1.5	0.34 - 1	
General data				
Stripping length [mm] 8				
Insulating material PA				
Inflammability class according to UL 94 V0				

Description	No. of pos.	Color
Terminal block, for mounting on NS 35...		gray blue

Ordering data			
Type	I _{max}	Order No.	Pcs. / Pkt.
PT 1,5/S		3208100	50
PT 1,5/S BU		3208126	50

Cover, width 2.2 mm	gray
Cover, 0.8 mm width	orange
Insulation stop sleeve, cross section range:	
0.08 - 0.2 mm ²	white
0.25 - 0.5 mm ²	gray
0.75 - 1 mm ²	black

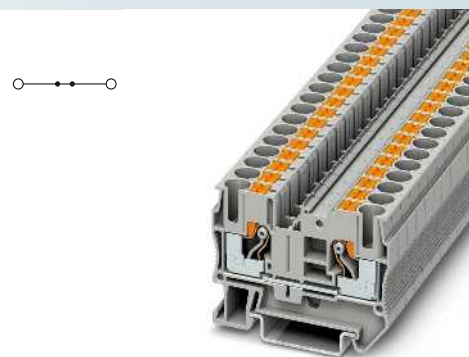
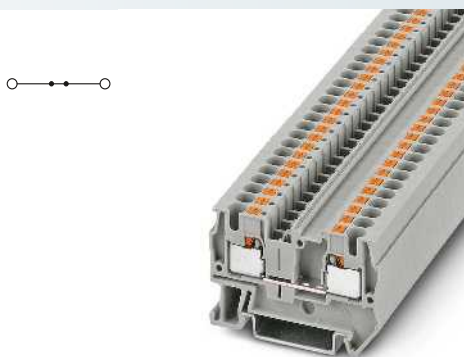
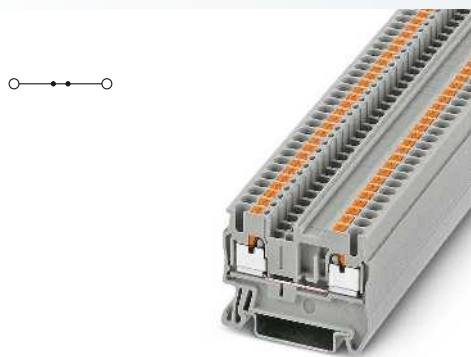
Accessories ¹⁾			
D-PT 1,5/S		3208142	50

Plug-in bridge	2	red	FBS 2-3,5	17.5 A	3213014	50
	3	red	FBS 3-3,5	17.5 A	3213027	50
	4	red	FBS 4-3,5	17.5 A	3213030	50
	5	red	FBS 5-3,5	17.5 A	3213043	50
	10	red	FBS 10-3,5	17.5 A	3213056	50
	20	red	FBS 20-3,5	17.5 A	3213069	50

Reducing bridge²⁾	2	red	RB ST (2,5/4)-1,5/S		3214356	10
		gray	ATP-ST 4		3030721	50
		gray	MPS-MT		0201744	10
		red	MPS-IH RD		0201676	10
		red	SZF 0-0,4X2,5		1204504	10

Partition plate, 2 mm width	gray
Test adapter, 4-mm test socket hole	gray
Test plug metal part, 2.3 mm Ø	
Insulating sleeve, for MPS metal part	red
Modular test plug, for the individual assembly of test plug strips	red
Screwdriver	

Center groove labeling	UCT-TM 3,5 or ZB 3,5 (see Catalog 5)
Center and lateral groove labeling	UCT-TMF 3,5 or ZBF 3,5 (see Catalog 5)



2.5 (4) mm², 30 A, feed-through terminal block

4 (6) mm², 38 A, feed-through terminal block

6 (10) mm², 52 A, feed-through terminal block



Ex:
PTB 09ATEX1111U / IECEx PTB 10.0021U

Technical data			
Width	Length	Height NS 35/7,5	
5.2	48.5	36.5	
I_{max} [A]	U_{max} [V]	max. Ø [mm ²]	AWG
30	800	0.14 - 4	26 - 12
IEC 60947-7-1			
IEC	UL/CUL	CSA	IEC/EN 60079-7
800	600	600	550
24 / 2.5	20 / -	20 / -	28
2.5	-	-	2.5
26 - 12	26-12	26-12	26 - 12
solid	stranded	Ferrule	
Without / with plastic sleeve			
0.14 - 4	0.14 - 2.5	0.14 - 2.5	0.14 - 2.5
			0.5
0.34 - 4	-	0.34 - 2.5	0.34 - 2.5
10	PA	V0	



Ex:
PTB 09ATEX1112U / IECEx PTB 10.0046U

Technical data			
Width	Length	Height NS 35/7,5	
6.2	56	36.5	
I_{max} [A]	U_{max} [V]	max. Ø [mm ²]	AWG
38	800	0.2 - 6	24 - 10
IEC 60947-7-1			
IEC	UL/CUL	CSA	IEC/EN 60079-7
800	600	600	550
32 / 4	30 / -	30 / -	27
4	-	-	4
24 - 10	24-10	24-10	24 - 10
solid	stranded	Ferrule	
Without / with plastic sleeve			
0.2 - 6	0.2 - 4	0.25 - 4	0.25 - 4
			0.5 - 1
0.5 - 6	-	0.5 - 4	0.5 - 4
12	PA	V0	



PTB 09ATEX1113U / IECEx PTB 10.0047U

Technical data			
Width	Length	Height NS 35/7,5	
8.2	57.7	43.5	
I_{max} [A]	U_{max} [V]	max. Ø [mm ²]	AWG
52	1000	0.5 - 10	20 - 8
IEC 60947-7-1			
IEC	UL/CUL	CSA	IEC/EN 60079-7
1000	600	600	-
41 / 6	40 / -	40	-
6	-	-	-
20 - 8	20-8	20-8	-
solid	stranded	Ferrule	
Without / with plastic sleeve			
0.5 - 10	0.5 - 6	0.5 - 6	0.5 - 6
			0.5 - 1.5
1 - 10	-	1 - 6	1 - 6
12	PA	V0	

Ordering data			
Type	I_{max}	Order No.	Pcs. / Pkt.
PT 2,5		3209510	50
PT 2,5 BU		3209523	50

Ordering data			
Type	I_{max}	Order No.	Pcs. / Pkt.
PT 4		3211757	50
PT 4 BU		3211760	50

Ordering data			
Type	I_{max}	Order No.	Pcs. / Pkt.
PT 6		3211813	50
PT 6 BU		3211819	50

Accessories ¹⁾			
D-ST 2,5		3030417	50
D-ST 2,5-0,8 OG		3030511	50
ISH 2,5/0,2		3002843	50
ISH 2,5/0,5		3002856	50
ISH 2,5/1,0		3002869	50
FBS 2-5	24 A	3030161	50
FBS 3-5	24 A	3030174	50
FBS 4-5	24 A	3030187	50
FBS 5-5	24 A	3030190	50
FBS 10-5	24 A	3030213	10
FBS 20-5	24 A	3030226	10
ATP-ST 4		3030721	50
PAI-4-N GY		3032871	10
MPS-MT		0201744	10
MPS-IH RD		0201676	10
PS-5		3030983	10
SZF 1-0,6X3,5		1204517	10

Accessories ¹⁾			
D-ST 4		3030420	50
ISH 4/0,5		3002885	50
ISH 4/1,0		3002898	50
FBS 2-6	32 A	3030336	50
FBS 3-6	32 A	3030242	50
FBS 4-6	32 A	3030255	50
FBS 5-6	32 A	3030349	50
FBS 10-6	32 A	3030271	10
FBS 20-6	32 A	3030365	10
RB ST (2,5/4)-1,5/S		3214356	10
ATP-ST 4		3030721	50
PAI-4-N GY		3032871	10
MPS-MT		0201744	10
MPS-IH RD		0201676	10
PS-6		3030996	10
SZF 1-0,6X3,5		1204517	10

Accessories ¹⁾			
D-PT 6		3212044	50
FBS 2-8	24 A	3030284	10
FBS 3-8	24 A	3030297	10
FBS 4-8	24 A	3030307	10
FBS 5-8	24 A	3030310	10
FBS 10-8	24 A	3030323	10
RB ST 6-1,5/S		3213250	10
ATP-ST 6		3024481	50
PAI-4-N GY		3032871	10
MPS-MT		0201744	10
MPS-IH RD		0201676	10
PS-8		3031005	10
SZF 2-0,8X4,0		1204520	10

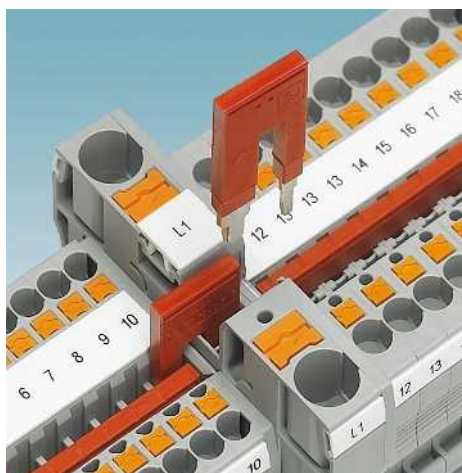
UC-TM 5, UCT-TM 5 or ZB 5
(see Catalog 5)
UC-TMF 5, UCT-TMF 5 or ZBF 5
(see Catalog 5)

UC-TM 6, UCT-TM 6 or ZB 6
(see Catalog 5)
UC-TMF 6, UCT-TMF 6 or ZBF 6
(see Catalog 5)

UC-TM 8, UCT-TM 8 or ZB 8
(see Catalog 5)
UC-TMF 8, UCT-TMF 8 or ZBF 8
(see Catalog 5)

PT push-in connection terminal blocks

PT ... feed-through terminal blocks

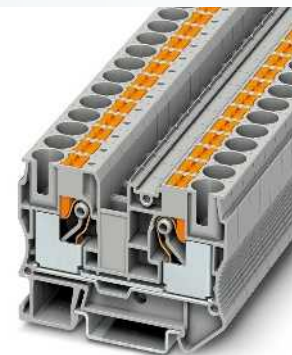


- The double bridge shaft not only enables individual chain bridging, but also reducing bridging to push-in terminal blocks with smaller cross sections
- The flexible options for reducing bridging in the CLIPLINE complete system can be found in the "Accessories" section

CLIP PROJECT Planning enables the quick and convenient planning and configuration of fault-free terminal strips.

Notes:

1) The reducing bridge table should be followed, see page 476.



10 (16) mm², 70 A, feed-through terminal block



Dimensions	
	[mm]
Max. electrical data	
Rated data	
Rated voltage	[V]
Nominal current / cross section	[A] / [mm ²]
Rated cross section	[mm ²]
Cross section range	AWG
Connection capacity	
1 conductor	[mm ²]
Two stranded conductors with a TWIN ferrule	[mm ²]
Direct plug-in connection cross sections	[mm ²]
General data	
Stripping length	[mm]
Insulating material	
Inflammability class according to UL 94	

Technical data				
Width	Length	Height NS 35/7,5		
10.2	67.7	50.5		
I _{max} [A]	U _{max} [V]	max. Ø [mm ²]	AWG	
70	1000	0.5 - 16	20 - 6	
IEC 60947-7-1				
IEC	UL/CUL	CSA	IEC/EN 60079-7	
Rated voltage	600	-	-	
Nominal current / cross section	57 / 10	60 / -	-	
Rated cross section	10	-	-	
Cross section range	20 - 6	20-6	-	
Connection capacity		solid	stranded	Ferrule Without / with plastic sleeve
1 conductor	0.5 - 16	0.5 - 10	0.5 - 10	0.5 - 10
Two stranded conductors with a TWIN ferrule	1 - 16	-	4 - 10	1.5 - 4
Direct plug-in connection cross sections				2.5 - 10
General data		18		
Stripping length		PA		
Insulating material		V0		
Inflammability class according to UL 94				

Description	No. of pos.	Color
Terminal block, for mounting on NS 35...		gray blue

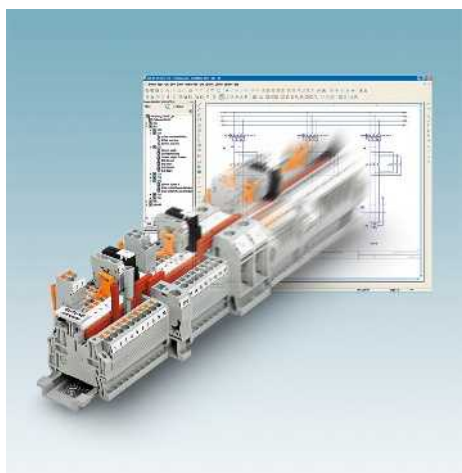
Ordering data			
Type	I _{max}	Order No.	Pcs. / Pkt.
PT 10		3212120	50
PT 10 BU		3212123	50

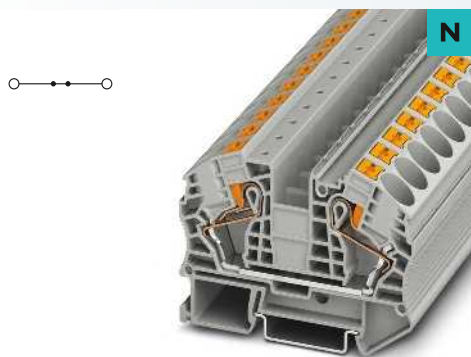
Cover, width 2.2 mm		gray
Plug-in bridge		
Reducing bridge ¹⁾	2	red
Screwdriver	2	red

Accessories			
D-PT 10		3212057	50
FBS 2-10	57 A	3005947	10
RB ST 10-(2,5/4)		3030873	10
SZF 3-1,0X5,5		1206612	10

Center groove labeling	
Center and lateral groove labeling	

UC-TM 10, UCT-TM 10 or ZB 10 (see Catalog 5)
UC-TMF 10, UCT-TMF 10 or ZBF 10 (see Catalog 5)





16 (25) mm², 90 A, feed-through terminal block

Technical data

Width	Length	Height NS 35/7,5	
12.2	75.4	52.6	
I_{max} [A]	U_{max} [V]	max. Ø [mm ²]	AWG
90	1000	0.5 - 25	20 - 4
IEC 60947-7-1			
IEC	UL/CUL	CSA	IEC/ EN 60079-7
1000	-	-	-
76 / 16	- / -	-	-
16	-	-	-
20 - 4	-	-	-
solid	stranded	Ferrule	
		Without / with plastic sleeve	
0.5 - 25	0.5 - 16	0.5 - 16	0.5 - 16 1.5 - 4
2.5 - 25	-	2.5 - 16	2.5 - 16
18			
PA			
V0			

Ordering data

Type	I_{max}	Order No.	Pcs. / Pkt.
PT 16 N		3212138	50
PT 16 N BU		3212142	50

Accessories

D-PT 16 N		3212060	50
FBS 2-12	76 A	3005950	10
RB ST 16-(2,5/4)		3030886	10
SZF 3-1,0X5,5		1206612	10

UC-TM 12, UCT-TM 12 or ZB 12
(see Catalog 5)
UC-TMF 12, UCT-TMF 12 or ZBF 12
(see Catalog 5)

Modular terminal blocks - CLIPLINE complete

PT push-in connection terminal blocks

PTPOWER 95... high-current terminal blocks



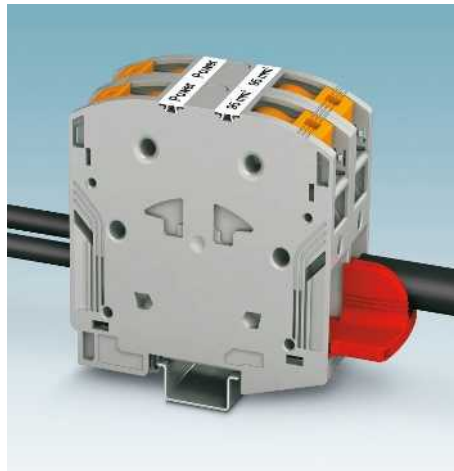
- Quick and easy connection is now also possible for large conductors. With the PTPOWER 95 high-current terminal block with push-in connection, conductors up to 95 mm² can be directly contacted.
- Direct connection without manually opening the terminal point
- To release the conductor, simply press the release button with a standard screwdriver



The pre-assembled terminal block bases reduce mounting and storage costs. The right terminal block base is available for every function.



- The fully-insulated and snap-on (optional) AGK pick-off terminal blocks enable a voltage pick-off for two 16 mm² conductors.
- Large area for labeling
 - Safe latching



Insertion bridges are available for easy potential distribution.

Notes:

1) The total current of all connected conductors must not exceed the max. load current.

Dimensions

[mm]

Max. electrical data

Rated data

Rated voltage [V]
 Nominal current / cross section [A] / [mm²]
 Rated cross section [mm²]
 Cross section range AWG

Connection capacity

1 conductor [mm²]
 Two stranded conductors with a TWIN ferrule [mm²]
 Direct plug-in connection cross sections [mm²]
 Max. cross section with insertion bridge [mm²]

General data

Stripping length [mm]
 Insulating material
 Inflammability class according to UL 94

Description	No. of pos.	Color
Terminal block , for mounting on NS 35/15		gray blue black/yellow
with 4 mm test connection		gray
with 4 mm test connection		blue
Terminal block base , for direct mounting, with three gray feed-through terminal blocks		gray
four feed-through terminal blocks, 3 x gray, 1 x blue		gray/blue
four feed-through terminal blocks, 3 x gray, 1 x black-yellow		gray/black-yellow
five feed-through terminal blocks, 3 x gray, 1 x blue, 1 x black-yellow		gray/blue/black-yellow
Pick-off terminal block , for snapping into the lateral guide, two 10 mm ² connections		gray
		blue
		green/yellow
		black/yellow

Insertion bridge, fully insulated

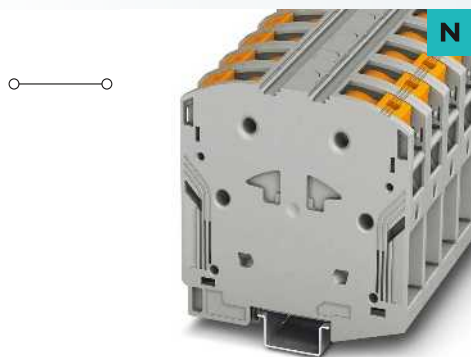
2 red
 3 red

Test plug metal part, 2.3 mm Ø

Insulating sleeve, for MPS metal part red

Screwdriver

Center groove labeling



95 (95) mm², 232 A, feed-through terminal block



95 (95) mm², 232 A, terminal block base



10 (16) mm², 57 A, pick-off terminal block, 2 connections

Technical data				
Width	Length	Height NS 35/15		
25	105.5	108.7		
I_{max} [A]	U_{max} [V]	max. Ø [mm ²]	AWG	
232	1500	25 - 95	4 - 3/0	
IEC 60947-7-1				
IEC	UL/CUL	CSA	IEC/EN 60079-7	
1500	-	-	-	
232 / 95	- / -	-	-	
95	-	-	-	
4 - 3/0	-	-	-	
solid	stranded	Ferrule Without / with plastic sleeve		
25 - 95	25 - 95	25 - 95	25 - 95	
25 - 95	-	25 - 95	25 - 95	
95	70	-	-	
40	PA	V0		

Technical data				
Width	Length	Height NS 35/15		
75	105.5	108.7		
I_{max} [A]	U_{max} [V]	max. Ø [mm ²]	AWG	
232	1500	25 - 95	4 - 3/0	
IEC 60947-7-1				
IEC	UL/CUL	CSA	IEC/EN 60079-7	
1500	-	-	-	
232 / 95	- / -	-	-	
95	-	-	-	
4 - 3/0	-	-	-	
solid	stranded	Ferrule Without / with plastic sleeve		
25 - 95	25 - 95	25 - 95	25 - 95	
25 - 95	-	25 - 95	25 - 95	
95	70	-	-	
40	PA	V0		

Technical data				
Width	Length	Height NS 35/15		
18.5	35	-		
I_{max} [A]	U_{max} [V]	max. Ø [mm ²]	AWG	
57 ¹⁾	1500	0.5 - 16	20 - 6	
IEC				
IEC	UL/CUL	CSA	IEC/EN 60079-7	
1500	-	-	-	
57 ¹⁾ / 10	- / -	-	-	
10	-	-	-	
20 - 6	-	-	-	
solid	stranded	Ferrule Without / with plastic sleeve		
0.5 - 16	0.5 - 10	0.5 - 10	0.5 - 10	
1 - 16	-	4 - 10	2.5 - 10	
18	PA	V0		

Ordering data			
Type	I_{max}	Order No.	Pcs. / Pkt.
PTPOWER 95		3260100	10
PTPOWER 95 BU		3260103	10
PTPOWER 95-FE		3260139	10
PTPOWER 95 P		3260163	10
PTPOWER 95 P BU		3260166	10
PTPOWER 95-3L		3260109	4
PTPOWER 95-3L/N		3260112	2
PTPOWER 95-3L/FE		3260115	2
PTPOWER 95-3L/N/FE		3260118	2

Ordering data			
Type	I_{max}	Order No.	Pcs. / Pkt.
AGK 10-PTPOWER		3260145	10
AGK 10-PTPOWER BU		3260148	10
AGK 10-PTPOWER GN/YE		3260151	10
AGK 10-PTPOWER BK/YE		3260154	10

Ordering data			
Type	I_{max}	Order No.	Pcs. / Pkt.
AGK 10-PTPOWER		3260145	10
AGK 10-PTPOWER BU		3260148	10
AGK 10-PTPOWER GN/YE		3260151	10
AGK 10-PTPOWER BK/YE		3260154	10

Accessories			
Type	I_{max}	Order No.	Pcs. / Pkt.
EB 2-25/PT	150 A	3260157	10
EB 3-25/PT	150 A	3260160	10
SZF 3-1,0X5,5		1206612	10
UC-TM 16, UCT-TM 16 or ZB 16,3 (see Catalog 5)			

Accessories			
Type	I_{max}	Order No.	Pcs. / Pkt.
EB 2-25/PT	150 A	3260157	10
EB 3-25/PT	150 A	3260160	10
SZF 3-1,0X5,5		1206612	10
UC-TM 16, UCT-TM 16 or ZB 16,3 (see Catalog 5)			

Accessories			
Type	I_{max}	Order No.	Pcs. / Pkt.
MPS-MT		0201744	10
MPS-IH RD		0201676	10
SZF 3-1,0X5,5		1206612	10
UC-TM 10, UCT-TM 10 or ZB 10 (see Catalog 5)			

PT push-in connection terminal blocks

PTPOWER 95...-F high-current terminal blocks for direct mounting



- Quick and easy connection is now also possible for large conductors. With the PTPOWER 95 high-current terminal block with push-in connection, conductors up to 95 mm² can be directly contacted.
- Direct connection without manually opening the terminal point
- To release the conductor, simply press the release button with a standard screwdriver

Notes:
For drilling diagram, see www.phoenixcontact.net/products
1) The total current of all connected conductors must not exceed the max. load current.



95 (95) mm², 233 A, feed-through terminal block, for direct mounting

Dimensions	
	[mm]
Max. electrical data	
Rated data	
Rated voltage	[V]
Nominal current / cross section	[A] / [mm ²]
Rated cross section	[mm ²]
Cross section range	AWG
Connection capacity	
1 conductor	[mm ²]
Two stranded conductors with a TWIN ferrule	[mm ²]
Direct plug-in connection cross sections	[mm ²]
Max. cross section with insertion bridge	[mm ²]
General data	
Stripping length	[mm]
Insulating material	
Inflammability class according to UL 94	

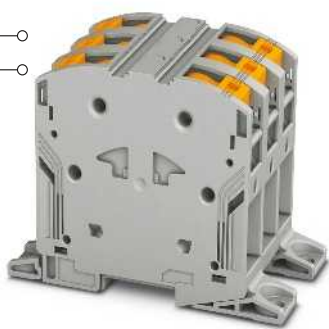
Technical data				
Width	Length	Height		
25	139.1	99.8		
I _{max} [A]	U _{max} [V]	max. Ø [mm ²]	AWG	
232	1500	25 - 95	4 - 3/0	
IEC 60947-7-1				
IEC	UL/CUL	CSA	IEC/EN 60079-7	
Rated voltage	232 / 95	- / -	-	-
Nominal current / cross section	95	-	-	-
Rated cross section	4 - 3/0	-	-	-
Cross section range	solid	stranded	Ferrule	
			Without / with plastic sleeve	
1 conductor	25 - 95	25 - 95	25 - 95	25 - 95
Two stranded conductors with a TWIN ferrule	25 - 95	-	25 - 95	25 - 95
Direct plug-in connection cross sections	95	70		
Max. cross section with insertion bridge				
General data				
Stripping length	40			
Insulating material	PA			
Inflammability class according to UL 94	V0			

Description	No. of pos.	Color
Terminal block , for direct mounting		gray blue black/yellow
Terminal block base , for direct mounting, with three gray feed-through terminal blocks		gray
four feed-through terminal blocks, 3 x gray, 1 x blue		gray/blue
four feed-through terminal blocks, 3 x gray, 1 x black-yellow		gray/black-yellow
five feed-through terminal blocks, 3 x gray, 1 x blue, 1 x black-yellow		gray/blue/black-yellow
Pick-off terminal block , for snapping into the lateral guide, two 10 mm ² connections		gray blue green/yellow black/yellow

Insertion bridge , fully insulated	2	red
Test plug metal part , 2.3 mm Ø	3	red
Insulating sleeve , for MPS metal part		red
Screwdriver		
Center groove labeling		

Ordering data			
Type	I _{max}	Order No.	Pcs. / Pkt.
PTPOWER 95-F		3260133	10
PTPOWER 95-F BU		3260136	10
PTPOWER 95-FE-F		3260142	10

Accessories			
EB 2-25/PT	150 A	3260157	10
EB 3-25/PT	150 A	3260160	10
SZF 3-1,0X5,5		1206612	10
UC-TM 16, UCT-TM 16 or ZB 16,3 (see Catalog 5)			



N

95 (95) mm², 232 A, terminal block base, for direct mounting



N

10 (16) mm², 57 A, pick-off terminal block, 2 connections

Technical data			
Width	Length	Height	
75	139.1	99.8	
I_{max} [A]	U_{max} [V]	max. Ø [mm ²]	AWG
232	1500	25 - 95	4 - 3/0
IEC 60947-7-1			
IEC	UL/CUL	CSA	IEC/EN 60079-7
1500	-	-	-
232 / 95	- / -	-	-
95	-	-	-
4 - 3/0	-	-	-
solid	stranded	Ferrule Without / with plastic sleeve	
25 - 95	25 - 95	25 - 95	25 - 95
25 - 95	-	25 - 95	25 - 95
95	70	-	-
40	PA	V0	

Technical data			
Width	Length	Height	
18.5	35	34.7	
I_{max} [A]	U_{max} [V]	max. Ø [mm ²]	AWG
57 ¹⁾	1500	0.5 - 16	20 - 6
IEC			
IEC	UL/CUL	CSA	IEC/EN 60079-7
1500	-	-	-
57 ¹⁾ / 10	- / -	-	-
10	-	-	-
20 - 6	-	-	-
solid	stranded	Ferrule Without / with plastic sleeve	
0.5 - 16	0.5 - 10	0.5 - 10	0.5 - 10 1.5 - 2.5
1 - 16	-	4 - 10	2.5 - 10
18	PA	V0	

Ordering data			
Type	I_{max}	Order No.	Pcs. / Pkt.
PTPOWER 95-3L-F		3260121	4
PTPOWER 95-3L/N-F		3260124	2
PTPOWER 95-3L/FE-F		3260127	2
PTPOWER 95-3L/N/FE-F		3260130	2

Ordering data		
Type	Order No.	Pcs. / Pkt.
AGK 10-PTPOWER	3260145	10
AGK 10-PTPOWER BU	3260148	10
AGK 10-PTPOWER GN/YE	3260151	10
AGK 10-PTPOWER BK/YE	3260154	10

Accessories			
Part No.	Current	Order No.	Pcs. / Pkt.
EB 2-25/PT	150 A	3260157	10
EB 3-25/PT	150 A	3260160	10
SZF 3-1,0X5,5		1206612	10
UC-TM 16, UCT-TM 16 or ZB 16,3 (see Catalog 5)			

Accessories		
Part No.	Order No.	Pcs. / Pkt.
MPS-MT	0201744	10
MPS-IH RD	0201676	10
SZF 3-1,0X5,5	1206612	10
UC-TM 10, UCT-TM 10 or ZB 10 (see Catalog 5)		

Modular terminal blocks - CLIPLINE complete

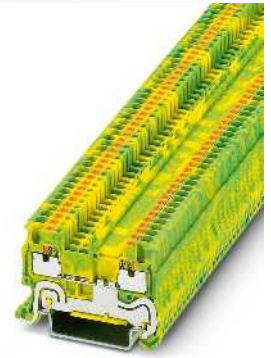
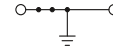
PT push-in connection terminal blocks

PT ...-PE ground terminal blocks



- Same shape and pitch as the feed-through terminal blocks
- Contact is made free from mechanical and electrical errors by simply snapping onto the DIN rail
- All the requirements of standard IEC 60947-7-2 are met

Notes:
For current carrying capacity of DIN rails, see page 716.
1) For installation notes on the use of accessories for Ex e applications, see page 710.



1.5 (1.5) mm², ground terminal block



Dimensions		
		[mm]
Max. electrical data		
Rated data		
Rated voltage		[V]
Nominal current / cross section		[A] / [mm ²]
Rated cross section		[mm ²]
Cross section range		AWG
Connection capacity		
1 conductor		[mm ²]
Two stranded conductors with a TWIN ferrule		[mm ²]
Direct plug-in connection cross sections		[mm ²]
General data		
Stripping length		[mm]
Insulating material		
Inflammability class according to UL 94		

Technical data				
Width	Length	Height NS 35/7,5		
3.5	45	32		
		max. Ø [mm ²]	AWG	
		0.14 - 1.5	26 - 14	
IEC 60947-7-2				
IEC	UL/CUL	CSA	IEC/EN 60079-7	
-	-	-	-	
-	- / -	-	-	
1.5	-	-	-	
26 - 14	26-14	26-14	-	
solid		stranded	Ferrule	
			Without / with plastic sleeve	
0.14 - 1.5	0.14 - 1.5		0.14 - 1.5	0.14 - 1
0.25 - 1.5	-		0.34 - 1.5	0.34 - 1
8				
PA				
V0				

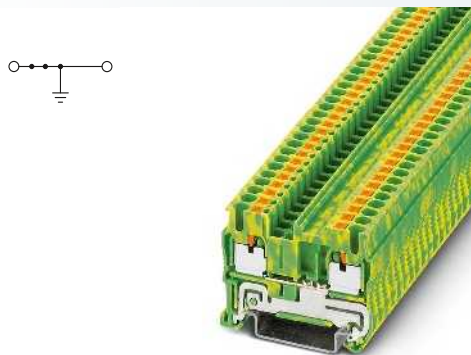
Description	No. of pos.	Color
Ground terminal block, for mounting on NS 35...		green-yellow

Ordering data		
Type	Order No.	Pcs. / Pkt.
PT 1,5/S-PE	3208139	50

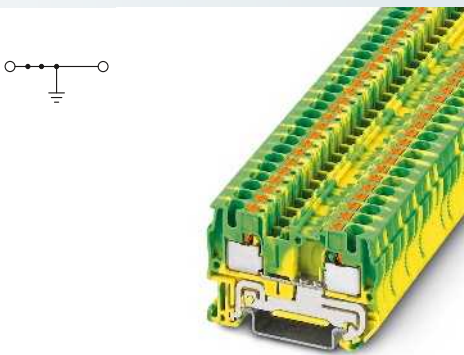
Cover, width 2.2 mm		gray
Cover, 0.8 mm width		orange
Insulation stop sleeve, cross section range:		
0.08 - 0.2 mm ²		white
0.25 - 0.5 mm ²		gray
0.75 - 1 mm ²		black
Plug-in bridge		
	2	red
	3	red
	4	red
	5	red
	10	red
	20	red
Partition plate, 2 mm width		gray
Test adapter, 4-mm test socket hole		gray
Test plug metal part, 2.3 mm Ø		
Insulating sleeve, for MPS metal part		red
Modular test plug, for the individual assembly of test plug strips		red

Accessories ¹⁾		
D-PT 1,5/S	3208142	50
FBS 2-3,5	3213014	50
FBS 3-3,5	3213027	50
FBS 4-3,5	3213030	50
FBS 5-3,5	3213043	50
FBS 10-3,5	3213056	50
FBS 20-3,5	3213069	50
ATP-ST 4	3030721	50
MPS-MT	0201744	10
MPS-IH RD	0201676	10
SZF 0-0,4X2,5	1204504	10

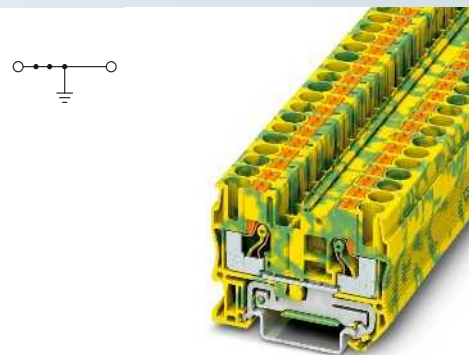
Center groove labeling	UCT-TM 3,5 or ZB 3,5 (see Catalog 5)
Center and lateral groove labeling	UCT-TMF 3,5 or ZBF 3,5 (see Catalog 5)



2.5 (4) mm², ground terminal block



4 (6) mm², ground terminal block



6 (10) mm², ground terminal block



Ex: PTB 09ATEX1111U / IECEx PTB 10.0021U



Ex: PTB 09ATEX1112U / IECEx PTB 10.0046U



Technical data			
Width	Length	Height NS 35/7,5	
5.2	48.5	36.5	
		max. Ø [mm ²]	AWG
		0.14 - 4	26 - 12
IEC 60947-7-2			
IEC	UL/CUL	CSA	IEC/EN 60079-7
-	-	-	-
-	-/-	-	-
2.5	-	-	2.5
26 - 12	26-12	26-12	26 - 12
solid	stranded	Ferrule	
		Without / with plastic sleeve	
0.14 - 4	0.14 - 2.5	0.14 - 2.5	0.14 - 2.5
			0.5
0.34 - 4	-	0.34 - 2.5	0.34 - 2.5
10			
PA			
V0			

Technical data			
Width	Length	Height NS 35/7,5	
6.2	56	36.5	
		max. Ø [mm ²]	AWG
		0.2 - 6	24 - 10
IEC 60947-7-2			
IEC	UL/CUL	CSA	IEC/EN 60079-7
-	-	-	-
-	-/-	-	-
4	-	-	4
24 - 10	24-10	24-10	24 - 10
solid	stranded	Ferrule	
		Without / with plastic sleeve	
0.2 - 6	0.2 - 4	0.25 - 4	0.25 - 4
			0.5 - 1
0.5 - 6	-	0.5 - 4	0.5 - 4
12			
PA			
V0			

Technical data			
Width	Length	Height NS 35/7,5	
8.2	57.7	43.5	
		max. Ø [mm ²]	AWG
		0.5 - 10	20 - 8
IEC 60947-7-2			
IEC	UL/CUL	CSA	IEC/EN 60079-7
-	-	-	-
-	-/-	-	-
6	-	-	-
20 - 8	20-8	20-8	-
solid	stranded	Ferrule	
		Without / with plastic sleeve	
0.5 - 10	0.5 - 6	0.5 - 6	0.5 - 6
			0.5 - 1.5
1 - 10	-	1 - 6	1 - 6
12			
PA			
V0			

Ordering data		
Type	Order No.	Pcs. / Pkt.
PT 2,5-PE	3209536	50

Ordering data		
Type	Order No.	Pcs. / Pkt.
PT 4-PE	3211766	50

Ordering data		
Type	Order No.	Pcs. / Pkt.
PT 6-PE	3211822	50

Accessories ¹⁾		
D-ST 2,5	3030417	50
D-ST 2,5-0,8 OG	3030511	50
ISH 2,5/0,2	3002843	50
ISH 2,5/0,5	3002856	50
ISH 2,5/1,0	3002869	50
FBS 2-5	3030161	50
FBS 3-5	3030174	50
FBS 4-5	3030187	50
FBS 5-5	3030190	50
FBS 10-5	3030213	10
FBS 20-5	3030226	10
ATP-ST 4	3030721	50
PAI-4-N GY	3032871	10
MPS-MT	0201744	10
MPS-IH RD	0201676	10
PS-5	3030983	10
SZF 1-0,6X3,5	1204517	10

Accessories ¹⁾		
D-ST 4	3030420	50
ISH 4/0,5	3002885	50
ISH 4/1,0	3002898	50
FBS 2-6	3030336	50
FBS 3-6	3030242	50
FBS 4-6	3030255	50
FBS 5-6	3030349	50
FBS 10-6	3030271	10
FBS 20-6	3030365	10
ATP-ST 4	3030721	50
PAI-4-N GY	3032871	10
MPS-MT	0201744	10
MPS-IH RD	0201676	10
PS-6	3030996	10
SZF 1-0,6X3,5	1204517	10

Accessories ¹⁾		
D-PT 6	3212044	50
FBS 2-8	3030284	10
FBS 3-8	3030297	10
FBS 4-8	3030307	10
FBS 5-8	3030310	10
FBS 10-8	3030323	10
ATP-ST 6	3024481	50
PAI-4-N GY	3032871	10
MPS-MT	0201744	10
MPS-IH RD	0201676	10
PS-8	3031005	10
SZF 2-0,8X4,0	1204520	10

UC-TM 5, UCT-TM 5 or ZB 5
(see Catalog 5)
UC-TMF 5, UCT-TMF 5 or ZBF 5
(see Catalog 5)

UC-TM 6, UCT-TM 6 or ZB 6
(see Catalog 5)
UC-TMF 6, UCT-TMF 6 or ZBF 6
(see Catalog 5)

UC-TM 8, UCT-TM 8 or ZB 8
(see Catalog 5)
UC-TMF 8, UCT-TMF 8 or ZBF 8
(see Catalog 5)

PT push-in connection terminal blocks

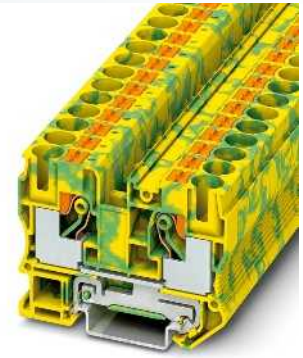
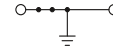
PT ...-PE ground terminal blocks

- Same shape and pitch as the feed-through terminal blocks
- Contact is made free from mechanical and electrical errors by simply snapping onto the DIN rail
- All the requirements of standard IEC 60947-7-2 are met

PTPOWER 95-PE

- Quick and easy connection is now also possible for large conductors. With the PTPOWER 95-PE high-current terminal block with push-in connection, conductors up to 95 mm² can be directly contacted.
- Direct connection without manually opening the terminal point
- To release the conductor, simply press the release button with a standard screwdriver

Notes:
For current carrying capacity of DIN rails, see page 716.



10 (16) mm², 70 A, ground terminal block



Dimensions	[mm]
Dimensions	[mm]
Max. electrical data	
Rated data	
Rated voltage	[V]
Nominal current / cross section	[A] / [mm ²]
Rated cross section	[mm ²]
Cross section range	AWG
Connection capacity	
1 conductor	[mm ²]
Two stranded conductors with a TWIN ferrule	[mm ²]
Direct plug-in connection cross sections	[mm ²]
General data	
Stripping length	[mm]
Insulating material	
Inflammability class according to UL 94	

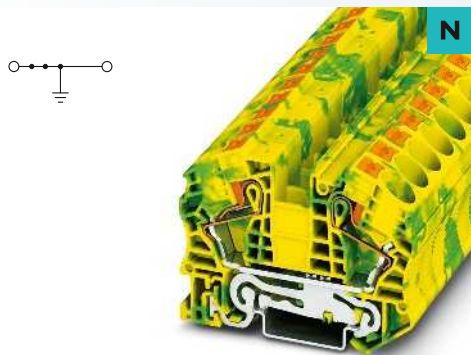
Technical data			
Width	Length	Height NS 35/7,5	
10.2	67.7	50.5	
Width	Length	Height NS 35/15	
10.2	67.7	58	
I _{max} [A]		max. Ø [mm ²]	AWG
70		0.5 - 16	20 - 6
IEC 60947-7-2			
IEC	UL/CUL	CSA	IEC/EN 60079-7
Rated voltage	-	-	-
Nominal current / cross section	57 / 10	- / -	-
Rated cross section	10	-	-
Cross section range	20 - 6	20-6	-
Connection capacity	solid	stranded	Ferrule
			Without / with plastic sleeve
1 conductor	0.5 - 16	0.5 - 10	0.5 - 10 0.5 - 10
Two stranded conductors with a TWIN ferrule			1.5 - 4
Direct plug-in connection cross sections	1 - 16	-	4 - 10 2.5 - 10
General data			
Stripping length	18		
Insulating material	PA		
Inflammability class according to UL 94	V0		

Description	No. of pos.	Color
Ground terminal block , for mounting on NS 35...		green-yellow
Ground terminal block , for mounting on NS 35/15		green/yellow

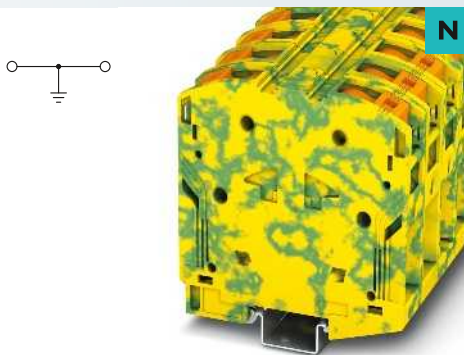
Pick-off terminal block , for snapping into the lateral guide, two 10 mm ² connections		gray
		blue
		green/yellow
		black/yellow
Cover , width 2.2 mm		gray
Plug-in bridge	2	red
Insertion bridge , fully insulated	2	red
	3	red
Screwdriver		

Ordering data			
Type	I _{max}	Order No.	Pcs. / Pkt.
PT 10-PE		3212131	50

Accessories			
D-PT 10		3212057	50
FBS 2-10	57 A	3005947	10
SZF 3-1,0X5,5		1206612	10
Center groove labeling	UC-TM 10, UCT-TM 10 or ZB 10 (see Catalog 5)		
Center and lateral groove labeling	UC-TMF 10, UCT-TMF 10 or ZBF 10 (see Catalog 5)		



16 (25) mm², 90 A, ground terminal block



95 (95) mm², 232 A, ground terminal block

Technical data			
Width	Length	Height NS 35/7,5	
12.2	75.4	52.6	
Width	Length	Height NS 35/15	
12.2	75.4	60.1	
I_{max} [A]	max. Ø [mm ²]	AWG	
90	0.5 - 25	20 - 4	
IEC 60947-7-2			
IEC	UL/CUL	CSA	IEC/EN 60079-7
-	-	-	-
76 / 16	- / -	-	-
16	-	-	-
20 - 4	-	-	-
solid	stranded	Ferrule Without / with plastic sleeve	
0.5 - 25	0.5 - 16	0.5 - 16	0.5 - 16
			1.5 - 4
2.5 - 25	-	2.5 - 16	2.5 - 16
18			
PA			
V0			

Technical data			
Width	Length	Height NS 35/7,5	
25	105.5	-	
Width	Length	Height NS 35/15	
25	105.5	108.7	
I_{max} [A]	max. Ø [mm ²]	AWG	
232	25 - 95	4 - 3/0	
IEC 60947-7-2			
IEC	UL/CUL	CSA	IEC/EN 60079-7
-	-	-	-
232 / 95	- / -	-	-
95	-	-	-
4 - 3/0	-	-	-
solid	stranded	Ferrule Without / with plastic sleeve	
25 - 95	25 - 95	25 - 95	25 - 95
25 - 95	-	25 - 95	25 - 95
40			
PA			
V0			

Ordering data			
Type	I_{max}	Order No.	Pcs. / Pkt.
PT 16 N-PE		3212147	50

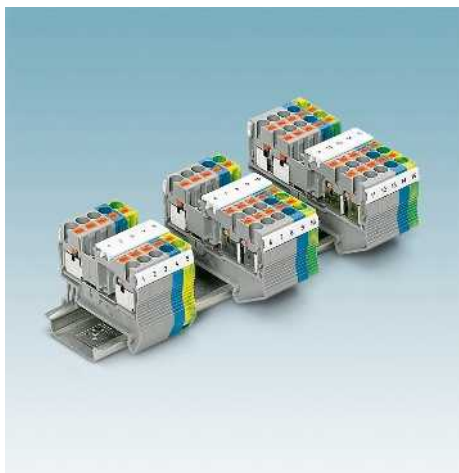
Ordering data			
Type	I_{max}	Order No.	Pcs. / Pkt.
PTPOWER 95-PE		3260106	10

Accessories			
D-PT 16 N		3212060	50
FBS 2-12	76 A	3005950	10
SZF 3-1,0X5,5		1206612	10
UC-TM 12, UCT-TM 12 or ZB 12 (see Catalog 5) UC-TMF 12, UCT-TMF 12 or ZBF 12 (see Catalog 5)			

Accessories			
AGK 10-PTPOWER		3260145	10
AGK 10-PTPOWER BU		3260148	10
AGK 10-PTPOWER GN/YE		3260151	10
AGK 10-PTPOWER BK/YE		3260154	10
EB 2-25/PT	150 A	3260157	10
EB 3-25/PT	150 A	3260160	10
SZF 3-1,0X5,5		1206612	10
UC-TM 16, UCT-TM 16 or ZB 16,3 (see Catalog 5)			

PT push-in connection terminal blocks

PT ...-TWIN feed-through terminal blocks with 3 connections



The push-in multi-conductor terminal blocks with single-sided double connection enable:

- Space-saving and practical multi-conductor connection without additional bridge
- All potential distribution tasks can be undertaken with ease
- The continuous dual function shaft offers every opportunity for time-saving potential distribution and storing test accessories

End cover segments

- If two-conductor terminal blocks are aligned on three or four-conductor terminal blocks, cover segments cover protruding parts, see figure below
- Fingers are protected from contact



Notes:
1) The total current of all connected conductors must not exceed the max. load current.
2) For installation notes on the use of accessories for Ex e applications, see page 710.
3) The reducing bridge table should be followed, see page 476.



1.5 (1.5) mm², 17.5 A, feed-through terminal block, 3 connections



Dimensions		[mm]	
Max. electrical data			
Rated data			
Rated voltage	[V]	500	600
Nominal current / cross section	[A] / [mm ²]	17.5 ¹⁾ / 1.5	15 / -
Rated cross section	[mm ²]	1.5	-
Cross section range	AWG	26 - 14	26-14
Connection capacity			
1 conductor	[mm ²]	0.14 - 1.5	0.14 - 1.5
Two stranded conductors with a TWIN ferrule	[mm ²]		
Direct plug-in connection cross sections	[mm ²]		
General data			
Stripping length	[mm]	8	
Insulating material		PA	
Inflammability class according to UL 94		V0	

Technical data				
Width	Length	Height NS 35/7,5		
3.5	54	32		
I _{max} [A]	U _{max} [V]	max. Ø [mm ²]	AWG	
17.5 ¹⁾	500	0.14 - 1.5	26 - 14	
IEC 60947-7-1				
IEC	UL/CUL	CSA	IEC/EN 60079-7	
500	600	600	-	
17.5 ¹⁾ / 1.5	15 / -	15 / -	-	
1.5	-	-	-	
26 - 14	26-14	26-14	-	
Connection capacity				
		Ferrule		
		Without / with plastic sleeve		
solid	stranded			
0.14 - 1.5	0.14 - 1.5	0.14 - 1.5	0.14 - 1	
0.25 - 1.5	-	0.34 - 1.5	0.34 - 1	
8				
PA				
V0				

Description	No. of pos.	Color
Terminal block, for mounting on NS 35...		gray blue

Ordering data			
Type	I _{max}	Order No.	Pcs. / Pkt.
PT 1,5/S-TWIN		3208155	50
PT 1,5/S-TWIN BU		3208168	50

Cover, width 2.2 mm		gray
Cover, 0.8 mm width		orange
End cover segment, for covering multi-conductor terminal blocks when two-conductor terminal blocks are aligned		gray
Insulation stop sleeve, cross section range:		
0.08 - 0.2 mm ²		white
0.25 - 0.5 mm ²		gray
0.75 - 1 mm ²		black
Plug-in bridge		
	2	red
	3	red
	4	red
	5	red
	10	red
	20	red

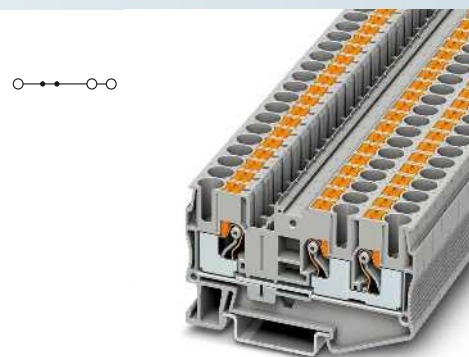
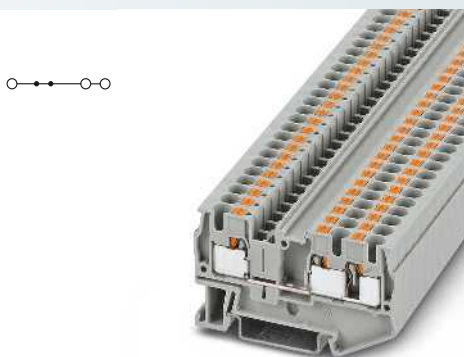
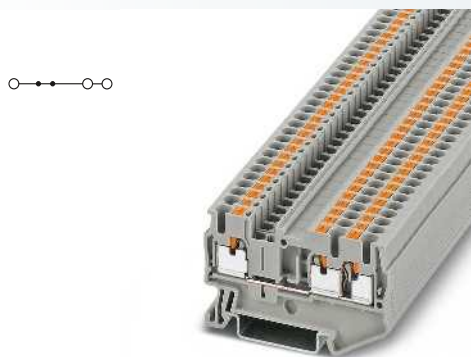
Accessories²⁾

D-PT 1,5/S-TWIN	3208184	50
FBS 2-3,5	17.5 A	3213014
FBS 3-3,5	17.5 A	3213027
FBS 4-3,5	17.5 A	3213030
FBS 5-3,5	17.5 A	3213043
FBS 10-3,5	17.5 A	3213056
FBS 20-3,5	17.5 A	3213069
RB ST (2,5/4)-1,5/S		3214356
ATP-ST-TWIN		3030789
MPS-MT		0201744
MPS-IH RD		0201676
SZF 0-0,4X2,5		1204504

Reducing bridge ³⁾		
Partition plate, 2 mm width	2	red
Test adapter, 4-mm test socket hole		gray
Test plug metal part, 2.3 mm Ø		gray
Insulating sleeve, for MPS metal part		red
Modular test plug, for the individual assembly of test plug strips		red

Screwdriver		
Lateral groove labeling		
Center and lateral groove labeling		

UCT-TM 3,5 or ZB 3,5 (see Catalog 5)
UCT-TMF 3,5 or ZBF 3,5 (see Catalog 5)



2.5 (4) mm², 30 A, feed-through terminal block, 3 connections

4 (6) mm², 38 A, feed-through terminal block, 3 connections

6 (10) mm², 52 A, feed-through terminal block, 3 connections

Ex: PTB 09ATEX1111U / IECEx PTB 10.0021U

Ex: PTB 09ATEX1112U / IECEx PTB 10.0046U

Technical data			
Width	Length	Height NS 35/7,5	
5.2	60.5	36.5	
I_{max} [A]	U_{max} [V]	max. Ø [mm ²]	AWG
30 ¹⁾	800	0.14 - 4	26 - 12
IEC 60947-7-1			
IEC	UL/CUL	CSA	IEC/EN 60079-7
800	600	600	550
24 ¹⁾ / 2.5	20 / -	20 / -	27
2.5	-	-	2.5
26 - 12	26-12	26-12	26 - 12
solid	stranded	Ferrule	
Without / with plastic sleeve			
0.14 - 4	0.14 - 2.5	0.14 - 2.5	0.14 - 2.5
			0.5
0.34 - 4	-	0.34 - 2.5	0.34 - 2.5
10	PA	V0	

Technical data			
Width	Length	Height NS 35/7,5	
6.2	66.5	36.5	
I_{max} [A]	U_{max} [V]	max. Ø [mm ²]	AWG
38 ¹⁾	800	0.2 - 6	24 - 10
IEC 60947-7-1			
IEC	UL/CUL	CSA	IEC/EN 60079-7
800	600	600	550
32 ¹⁾ / 4	30 / -	30 / -	28.5
4	-	-	4
24 - 10	24-10	24-10	24 - 10
solid	stranded	Ferrule	
Without / with plastic sleeve			
0.2 - 6	0.2 - 4	0.25 - 4	0.25 - 4
			0.5 - 1
0.5 - 6	-	0.5 - 4	0.5 - 4
12	PA	V0	

Technical data			
Width	Length	Height NS 35/7,5	
8.2	74.2	43.5	
I_{max} [A]	U_{max} [V]	max. Ø [mm ²]	AWG
52 ¹⁾	1000	0.5 - 10	20 - 8
IEC 60947-7-1			
IEC	UL/CUL	CSA	IEC/EN 60079-7
1000	600	-	-
41 ¹⁾ / 6	40 / -	-	-
6	-	-	-
20 - 8	20-8	-	-
solid	stranded	Ferrule	
Without / with plastic sleeve			
0.5 - 10	0.5 - 6	0.5 - 6	0.5 - 6
			0.5 - 1.5
1 - 10	-	1 - 6	1 - 6
12	PA	V0	

Ordering data			
Type	I_{max}	Order No.	Pcs. / Pkt.
PT 2,5-TWIN		3209549	50
PT 2,5-TWIN BU		3209552	50

Ordering data			
Type	I_{max}	Order No.	Pcs. / Pkt.
PT 4-TWIN		3211771	50
PT 4-TWIN BU		3211775	50

Ordering data			
Type	I_{max}	Order No.	Pcs. / Pkt.
PT 6-TWIN		3211929	50
PT 6-TWIN BU		3211485	50

Accessories ²⁾			
D-ST 2,5-TWIN		3030488	50
D-ST 2,5-TWIN-0,8 OG		3030512	50
DS-ST 2,5		3036602	10
ISH 2,5/0,2		3002843	50
ISH 2,5/0,5		3002856	50
ISH 2,5/1,0		3002869	50
FBS 2-5	24 A	3030161	50
FBS 3-5	24 A	3030174	50
FBS 4-5	24 A	3030187	50
FBS 5-5	24 A	3030190	50
FBS 10-5	24 A	3030213	10
FBS 20-5	24 A	3030226	10
ATP-ST-TWIN		3030789	50
PAI-4-N GY		3032871	10
MPS-MT		0201744	10
MPS-IH RD		0201676	10
PS-5		3030983	10
SZF 1-0,6X3,5		1204517	10

Accessories ²⁾			
D-PT 4-TWIN		3208977	50
ISH 4/0,5		3002885	50
ISH 4/1,0		3002898	50
FBS 2-6	32 A	3030336	50
FBS 3-6	32 A	3030242	50
FBS 4-6	32 A	3030255	50
FBS 5-6	32 A	3030349	50
FBS 10-6	32 A	3030271	10
FBS 20-6	32 A	3030365	10
RB ST (2,5/4)-1,5/S		3214356	10
ATP-ST-TWIN		3030789	50
PAI-4-N GY		3032871	10
MPS-MT		0201744	10
MPS-IH RD		0201676	10
PS-6		3030996	10
SZF 1-0,6X3,5		1204517	10

Accessories ²⁾			
D-PT 6-TWIN		3211508	50
FBS 2-8	24 A	3030284	10
FBS 3-8	24 A	3030297	10
FBS 4-8	24 A	3030307	10
FBS 5-8	24 A	3030310	10
FBS 10-8	24 A	3030323	10
RB ST 6-(2,5/4)		3030860	10
PAI-4-N GY		3032871	10
MPS-MT		0201744	10
MPS-IH RD		0201676	10
PS-8		3031005	10
SZF 2-0,8X4,0		1204520	10

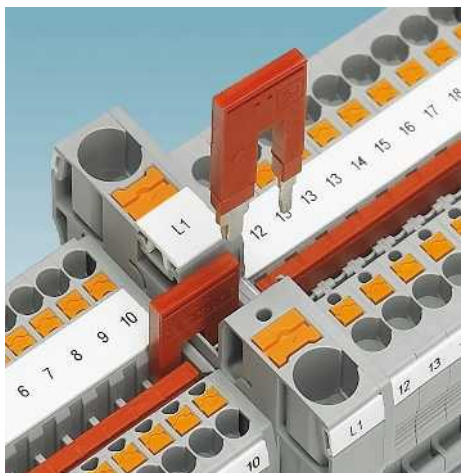
UC-TM 5, UCT-TM 5 or ZB 5
(see Catalog 5)
UC-TMF 5, UCT-TMF 5 or ZBF 5
(see Catalog 5)

UC-TM 6, UCT-TM 6 or ZB 6
(see Catalog 5)
UC-TMF 6, UCT-TMF 6 or ZBF 6
(see Catalog 5)

UC-TM 8, UCT-TM 8 or ZB 8
(see Catalog 5)
UC-TMF 8, UCT-TMF 8 or ZBF 8
(see Catalog 5)

PT push-in connection terminal blocks

PT ...-TWIN feed-through terminal blocks with 3 connections



- The double bridge shaft not only enables individual chain bridging, but also reducing bridging to push-in terminal blocks with smaller cross sections
- The flexible options for reducing bridging in the CLIPLINE complete system can be found in the "Accessories" section
- Three and four-conductor terminal blocks are ideal for use as space-saving potential distributors in ring line systems or solar plants up to 1000 V, for example
- The large conductor connection space enables solar cables with an outside diameter of up to 7.5 mm to be accommodated, for example

CLIP PROJECT Planning enables the quick and convenient planning and configuration of fault-free terminal strips.

Notes:
1) The total current of all connected conductors must not exceed the max. load current.
2) The reducing bridge table should be followed, see page 476.



10 (16) mm², 70 A, feed-through terminal block, 3 connections



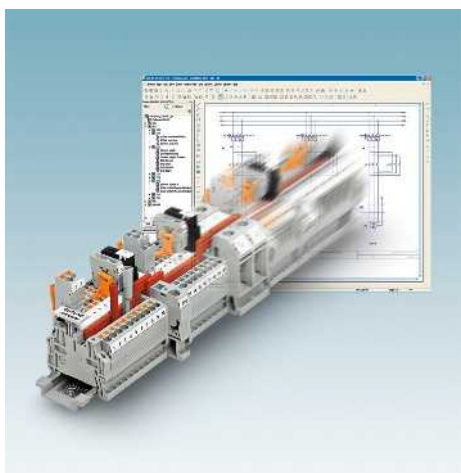
Dimensions		[mm]	
Max. electrical data			
Rated voltage	[V]	1000	600
Nominal current / cross section	[A] / [mm ²]	57 ¹⁾ / 10	60 / -
Rated cross section	[mm ²]	10	-
Cross section range	AWG	20 - 6	20-6
Connection capacity			
1 conductor	[mm ²]	0.5 - 16	0.5 - 10
Two stranded conductors with a TWIN ferrule	[mm ²]	-	0.5 - 10
Direct plug-in connection cross sections	[mm ²]	1 - 16	4 - 10
General data			
Stripping length	[mm]	18	
Insulating material		PA	
Inflammability class according to UL 94		V0	

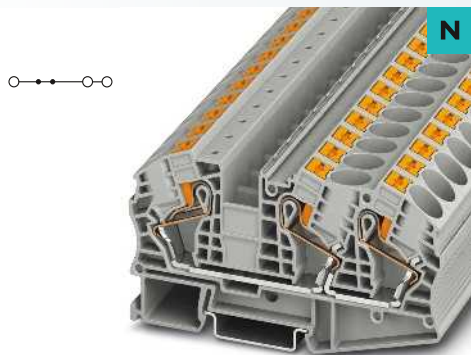
Technical data				
Width	Length	Height NS 35/7,5		
10.2	88.9	50.5		
I _{max} [A]	U _{max} [V]	max. Ø [mm ²]	AWG	
70 ¹⁾	1000	0.5 - 16	20 - 6	
IEC 60947-7-1				
IEC	UL/CUL	CSA	IEC/EN 60079-7	
Connection capacity				
solid		stranded		Ferrule
				Without / with plastic sleeve
0.5 - 16	0.5 - 10	0.5 - 10	0.5 - 10	
1 - 16		-	1.5 - 4	
		4 - 10	2.5 - 10	
Ordering data				
Type	I _{max}	Order No.	Pcs. / Pkt.	
PT 10-TWIN		3208746	50	
PT 10-TWIN BU		3208747	50	
Accessories				
D-PT 10-TWIN		3208748	50	
FBS 2-10	57 A	3005947	10	
RB ST 10-(2,5/4)		3030873	10	
SZF 3-1,0X5,5		1206612	10	
Center groove labeling				
Center and lateral groove labeling				
UC-TM 10, UCT-TM 10 or ZB 10 (see Catalog 5)				
UC-TMF 10, UCT-TMF 10 or ZBF 10 (see Catalog 5)				

Description	No. of pos.	Color
Terminal block, for mounting on NS 35...		gray blue

Cover, width 2.2 mm		gray
Plug-in bridge	2	red
Reducing bridge ²⁾	2	red
Screwdriver		

Center groove labeling
Center and lateral groove labeling





16 (25) mm², 90 A, feed-through terminal block, 3 connections

Technical data

Width	Length	Height NS 35/7,5	
12.2	100.2	52.6	
I_{max} [A]	U_{max} [V]	max. Ø [mm ²]	AWG
90*)	1000	0.5 - 25	20 - 4
IEC 60947-7-1			
IEC	UL/CUL	CSA	IEC/ EN 60079-7
1000	-	-	-
76*) / 16	- / -	-	-
16	-	-	-
20 - 4	-	-	-
solid	stranded	Ferrule	
		Without / with plastic sleeve	
0.5 - 25	0.5 - 16	0.5 - 16	0.5 - 16 1.5 - 4
2.5 - 25	-	2.5 - 16	2.5 - 16
18			
PA			
V0			

Ordering data

Type	I_{max}	Order No.	Pcs. / Pkt.
PT 16-TWIN N		3208760	25
PT 16-TWIN N BU		3208773	25

Accessories

D-PT 16-TWIN N		3208799	50
FBS 2-12	76 A	3005950	10
RB ST 16-(2,5/4)		3030886	10
SZF 3-1,0X5,5		1206612	10

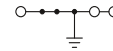
UC-TM 12, UCT-TM 12 or ZB 12
(see Catalog 5)
UC-TMF 12, UCT-TMF 12 or ZBF 12
(see Catalog 5)

PT push-in connection terminal blocks

PT ...-TWIN-PE ground terminal blocks with 3 connections

- Same shape and pitch as the feed-through terminal blocks
- Contact is made free from mechanical and electrical errors by simply snapping onto the DIN rail
- All the requirements of standard IEC 60947-7-2 are met

Notes:
For current carrying capacity of DIN rails, see page 716.
1) For installation notes on the use of accessories for Ex e applications, see page 710.



1.5 (1.5) mm², ground terminal block, 3 connections



Dimensions		
		[mm]
Max. electrical data		
Rated data		
Rated voltage		[V]
Nominal current / cross section		[A] / [mm ²]
Rated cross section		[mm ²]
Cross section range		AWG
Connection capacity		
1 conductor		[mm ²]
Two stranded conductors with a TWIN ferrule		[mm ²]
Direct plug-in connection cross sections		[mm ²]
General data		
Stripping length		[mm]
Insulating material		
Inflammability class according to UL 94		

Technical data				
Width	Length	Height NS 35/7,5		
3.5	54	32		
		max. Ø [mm ²]	AWG	
		0.14 - 1.5	26 - 14	
IEC 60947-7-2				
IEC	UL/CUL	CSA	IEC/EN 60079-7	
-	-	-	-	
-	-/-	-	-	
1.5	-	-	-	
26 - 14	26-14	26-14	-	
Connection capacity			Ferrule	
			Without / with plastic sleeve	
1 conductor		0.14 - 1.5	0.14 - 1.5	0.14 - 1
Two stranded conductors with a TWIN ferrule		0.25 - 1.5	-	0.34 - 1.5
Direct plug-in connection cross sections				0.34 - 1
8				
PA				
V0				

Description	No. of pos.	Color
Ground terminal block, for mounting on NS 35...		green-yellow

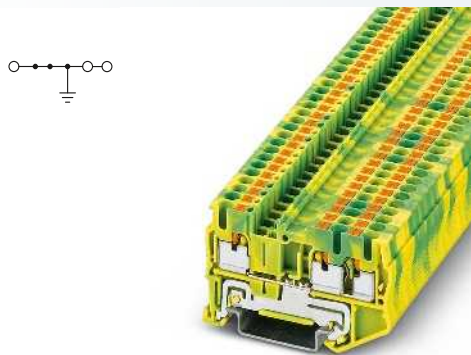
Ordering data		
Type	Order No.	Pcs. / Pkt.
PT 1,5/S-TWIN-PE	3208171	50

Cover, width 2.2 mm		gray
Cover, 0.8 mm width		orange
End cover segment, for covering multi-conductor terminal blocks when two-conductor terminal blocks are aligned		gray
Insulation stop sleeve, cross section range:		
0.08 - 0.2 mm ²		white
0.25 - 0.5 mm ²		gray
0.75 - 1 mm ²		black
Plug-in bridge		
	2	red
	3	red
	4	red
	5	red
	10	red
	20	red
Partition plate, 2 mm width		gray
Test adapter, 4-mm test socket hole		gray
Test plug metal part, 2.3 mm Ø		
Insulating sleeve, for MPS metal part		red
Modular test plug, for the individual assembly of test plug strips		red
Screwdriver		

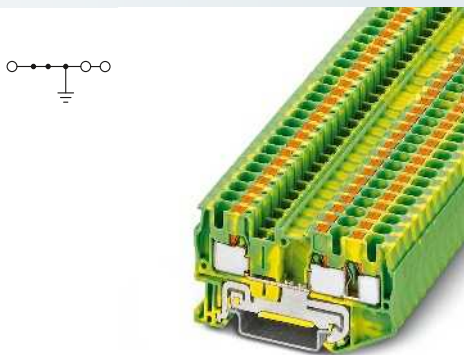
Accessories ¹⁾		
D-PT 1,5/S-TWIN	3208184	50
FBS 2-3,5	3213014	50
FBS 3-3,5	3213027	50
FBS 4-3,5	3213030	50
FBS 5-3,5	3213043	50
FBS 10-3,5	3213056	50
FBS 20-3,5	3213069	50
ATP-ST-TWIN	3030789	50
MPS-MT	0201744	10
MPS-IH RD	0201676	10
SZF 0-0,4X2,5	1204504	10

Lateral groove labeling
Center and lateral groove labeling

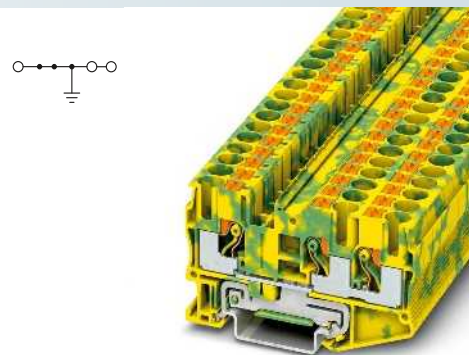
UCT-TM 3,5 or ZB 3,5 (see Catalog 5)
UCT-TMF 3,5 or ZBF 3,5 (see Catalog 5)



2.5 (4) mm², ground terminal block, 3 connections



4 (6) mm², ground terminal block, 3 connections



6 (10) mm², ground terminal block, 3 connections

UL US, ABS, ClassNK

Ex: IECEx
PTB 09ATEX1111U / IECEx PTB 10.0021U

UL US, ABS, ClassNK

Ex: IECEx
PTB 09ATEX1112U / IECEx PTB 10.0046U

UL US

Technical data			
Width	Length	Height NS 35/7,5	
5.2	60.5	36.5	
		max. Ø [mm ²]	AWG
		0.14 - 4	26 - 12
IEC 60947-7-2			
IEC	UL/CUL	CSA	IEC/EN 60079-7
-	-	-	-
-	-/-	-	-
2.5	-	-	2.5
26 - 12	26-12	26-12	26 - 12
solid	stranded	Ferrule	
		Without / with plastic sleeve	
0.14 - 4	0.14 - 2.5	0.14 - 2.5	0.14 - 2.5
		0.5	
0.34 - 4	-	0.34 - 2.5	0.34 - 2.5
10	PA	V0	

Technical data			
Width	Length	Height NS 35/7,5	
6.2	66.5	36.5	
		max. Ø [mm ²]	AWG
		0.2 - 6	24 - 10
IEC 60947-7-2			
IEC	UL/CUL	CSA	IEC/EN 60079-7
-	-	-	-
-	-/-	-	-
4	-	-	4
24 - 10	24-10	24-10	24 - 10
solid	stranded	Ferrule	
		Without / with plastic sleeve	
0.2 - 6	0.2 - 4	0.25 - 4	0.25 - 4
		0.5 - 1	
0.5 - 6	-	0.5 - 4	0.5 - 4
12	PA	V0	

Technical data			
Width	Length	Height NS 35/7,5	
8.2	74.2	43.5	
		max. Ø [mm ²]	AWG
		0.5 - 10	20 - 8
IEC 60947-7-2			
IEC	UL/CUL	CSA	IEC/EN 60079-7
-	-	-	-
-	-/-	-	-
6	-	-	-
20 - 8	20-8	-	-
solid	stranded	Ferrule	
		Without / with plastic sleeve	
0.5 - 10	0.5 - 6	0.5 - 6	0.5 - 6
		0.5 - 1.5	
1 - 10	-	1 - 6	1 - 6
12	PA	V0	

Ordering data		
Type	Order No.	Pcs. / Pkt.
PT 2,5-TWIN-PE	3209565	50

Ordering data		
Type	Order No.	Pcs. / Pkt.
PT 4-TWIN-PE	3211780	50

Ordering data		
Type	Order No.	Pcs. / Pkt.
PT 6-TWIN-PE	3211498	50

Accessories ¹⁾		
D-ST 2,5-TWIN	3030488	50
D-ST 2,5-TWIN-0,8 OG	3030512	50
DS-ST 2,5	3036602	10
ISH 2,5/0,2	3002843	50
ISH 2,5/0,5	3002856	50
ISH 2,5/1,0	3002869	50
FBS 2-5	3030161	50
FBS 3-5	3030174	50
FBS 4-5	3030187	50
FBS 5-5	3030190	50
FBS 10-5	3030213	10
FBS 20-5	3030226	10
ATP-ST-TWIN	3030789	50
PAI-4-N GY	3032871	10
MPS-MT	0201744	10
MPS-IH RD	0201676	10
PS-5	3030983	10
SZF 1-0,6X3,5	1204517	10

Accessories ¹⁾		
D-PT 4-TWIN	3208977	50
ISH 4/0,5	3002885	50
ISH 4/1,0	3002898	50
FBS 2-6	3030336	50
FBS 3-6	3030242	50
FBS 4-6	3030255	50
FBS 5-6	3030349	50
FBS 10-6	3030271	10
FBS 20-6	3030365	10
ATP-ST-TWIN	3030789	50
PAI-4-N GY	3032871	10
MPS-MT	0201744	10
MPS-IH RD	0201676	10
PS-6	3030996	10
SZF 1-0,6X3,5	1204517	10

Accessories ¹⁾		
D-PT 6-TWIN	3211508	50
FBS 2-8	3030284	10
FBS 3-8	3030297	10
FBS 4-8	3030307	10
FBS 5-8	3030310	10
FBS 10-8	3030323	10
PAI-4-N GY	3032871	10
MPS-MT	0201744	10
MPS-IH RD	0201676	10
PS-8	3031005	10
SZF 2-0,8X4,0	1204520	10

UC-TM 5, UCT-TM 5 or ZB 5 (see Catalog 5)
UC-TMF 5, UCT-TMF 5 or ZBF 5 (see Catalog 5)

UC-TM 6, UCT-TM 6 or ZB 6 (see Catalog 5)
UC-TMF 6, UCT-TMF 6 or ZBF 6 (see Catalog 5)

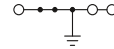
UC-TM 8, UCT-TM 8 or ZB 8 (see Catalog 5)
UC-TMF 8, UCT-TMF 8 or ZBF 8 (see Catalog 5)

PT push-in connection terminal blocks

PT ...-TWIN-PE ground terminal blocks with 3 connections

- Same shape and pitch as the feed-through terminal blocks
- Contact is made free from mechanical and electrical errors by simply snapping onto the DIN rail
- All the requirements of standard IEC 60947-7-2 are met

Notes:
For current carrying capacity of DIN rails, see page 716.



10 (16) mm², 70 A, ground terminal block, 3 connections



Dimensions	
	[mm]
Max. electrical data	
Rated data	
Rated voltage	[V]
Nominal current / cross section	[A] / [mm ²]
Rated cross section	[mm ²]
Cross section range	AWG
Connection capacity	
1 conductor	[mm ²]
Two stranded conductors with a TWIN ferrule	[mm ²]
Direct plug-in connection cross sections	[mm ²]
General data	
Stripping length	[mm]
Insulating material	
Inflammability class according to UL 94	

Technical data				
Width	Length	Height NS 35/7,5		
10.2	88.9	50.5		
I _{max} [A]		max. Ø [mm ²]	AWG	
70		0.5 - 16	20 - 6	
IEC 60947-7-2				
IEC	UL/CUL	CSA	IEC/EN 60079-7	
-	-	-	-	
57 / 10	- / -	-	-	
10	-	-	-	
20 - 6	20-6	-	-	
solid		stranded		Ferrule
Without / with plastic sleeve				
0.5 - 16	0.5 - 10	0.5 - 10	0.5 - 10	
			1.5 - 4	
1 - 16	-	4 - 10	2.5 - 10	
18				
PA				
V0				

Description	No. of pos.	Color
Ground terminal block , for mounting on NS 35...		green-yellow

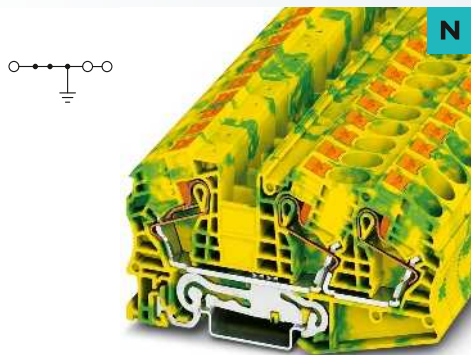
Ordering data			
Type	I _{max}	Order No.	Pcs. / Pkt.
PT 10-TWIN-PE		3208745	50

Cover , width 2.2 mm	gray
Plug-in bridge	
	2 red
Screwdriver	

Accessories			
D-PT 10-TWIN		3208748	50
FBS 2-10	57 A	3005947	10
SZF 3-1,0X5,5		1206612	10

Center groove labeling
Center and lateral groove labeling

UC-TM 10, UCT-TM 10 or ZB 10
(see Catalog 5)
UC-TMF 10, UCT-TMF 10 or ZBF 10
(see Catalog 5)



16 (25) mm², 90 A, ground terminal block,
3 connections

Technical data

Width	Length	Height NS 35/7,5	
12.2	100.2	52.6	
I_{max} [A]		max. Ø [mm ²]	AWG
90		0.5 - 25	20 - 4
IEC 60947-7-2			
IEC	UL/CUL	CSA	IEC/ EN 60079-7
-	-	-	-
76 / 16	- / -	-	-
16	-	-	-
20 - 4	-	-	-
solid	stranded	Ferrule	
		Without / with plastic sleeve	
0.5 - 25	0.5 - 16	0.5 - 16	0.5 - 16 1.5 - 4
2.5 - 25	-	2.5 - 16	2.5 - 16
18			
PA			
V0			

Ordering data

Type	I_{max}	Order No.	Pcs. / Pkt.
PT 16-TWIN N-PE		3208786	25

Accessories

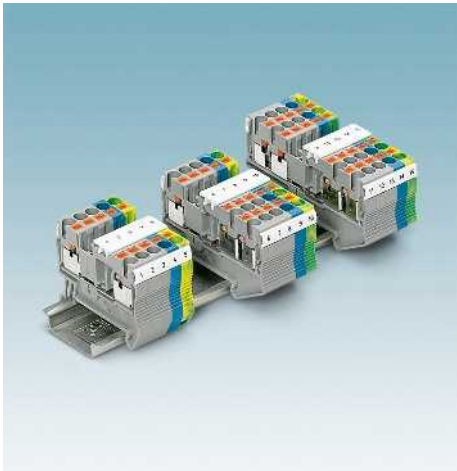
D-PT 16-TWIN N		3208799	50
FBS 2-12	76 A	3005950	10
SZF 3-1,0X5,5		1206612	10

UC-TM 12, UCT-TM 12 or ZB 12
(see Catalog 5)
UC-TMF 12, UCT-TMF 12 or ZBF 12
(see Catalog 5)

Modular terminal blocks - CLIPLINE complete

PT push-in connection terminal blocks

PT ...-QUATTRO feed-through terminal blocks with 4 connections



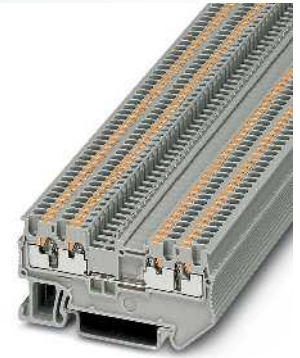
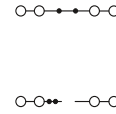
- These variants can therefore be used as compact power distributors
- Cross connection to any number of terminal blocks with the FBS ... continuous plug-in bridge system

Marker carriers

- Various marker carriers and adapters are available for all tasks relating to the marking of terminal blocks and terminal strips.



Notes:
For suitable marker carriers or adapters, see page 484.
1) The total current of all connected conductors must not exceed the max. load current.
2) For installation notes on the use of accessories for Ex e applications, see page 710.
3) The reducing bridge table should be followed, see page 476.



1.5 (1.5) mm², 17.5 A, feed-through terminal block, 4 connections



Dimensions		[mm]
Max. electrical data		
Rated data		
Rated voltage	[V]	500
Nominal current / cross section	[A] / [mm ²]	17.5 ¹⁾ / 1.5
Rated cross section	[mm ²]	1.5
Cross section range	AWG	26 - 16
Connection capacity		
1 conductor	[mm ²]	0.14 - 1.5
Two stranded conductors with a TWIN ferrule	[mm ²]	0.14 - 1.5
Direct plug-in connection cross sections	[mm ²]	0.25 - 1.5
General data		
Stripping length	[mm]	8
Insulating material		PA
Inflammability class according to UL 94		V0

Technical data				
Width	Length	Height NS 35/7.5		
3.5	63.2	32		
I _{max} [A]	U _{max} [V]	max. Ø [mm ²]	AWG	
17.5 ¹⁾	500	0.14 - 1.5	26 - 16	
IEC 60947-7-1				
IEC	UL/CUL	CSA	IEC/EN 60079-7	
500	600	600	-	
17.5 ¹⁾ / 1.5	15 / -	15 / -	-	
1.5	-	-	-	
26 - 16	26-14	26-14	-	
Connection capacity		Ferrule		
solid	stranded	Without / with plastic sleeve		
0.14 - 1.5	0.14 - 1.5	0.14 - 1.5	0.14 - 1	
0.25 - 1.5	-	0.34 - 1.5	0.34 - 1	
Ordering data				
Type	I _{max}	Order No.	Pcs. / Pkt.	
PT 1,5/S-QUATTRO		3208197	50	
PT 1,5/S-QUATTRO BU		3208208	50	
PT 1,5/S-QUATTRO-U		3208359	50	
Accessories²⁾				
D-PT 1,5/S-QUATTRO		3208375	50	
Reducing bridge³⁾				
	2	red		
Partition plate, 2 mm width	2	red	RB ST (2,5/4)-1,5/S	
Test adapter, 4-mm test socket hole		gray	3030815	
Test plug metal part, 2.3 mm Ø		gray	MPS-MT	
Insulating sleeve, for MPS metal part		red	0201744	
Modular test plug, for the individual assembly of test plug strips		red	0201676	
Screwdriver				
SZF 0-0,4X2,5			1204504	
Lateral groove labeling				
UCT-TM 3,5 or ZB 3,5 (see Catalog 5)				
Center and lateral groove labeling				
UCT-TMF 3,5 or ZBF 3,5 (see Catalog 5)				

Description	No. of pos.	Color
Terminal block, for mounting on NS 35...		gray
Terminal block, with interrupted current bar, for mounting on NS 35...		blue
		gray

Cover, width 2.2 mm		gray
Cover, 0.8 mm width		orange
End cover segment, for covering multi-conductor terminal blocks when two-conductor terminal blocks are aligned		gray
Insulation stop sleeve, cross section range:		
0.08 - 0.2 mm ²		white
0.25 - 0.5 mm ²		gray
0.75 - 1 mm ²		black
Plug-in bridge		
	2	red
	3	red
	4	red
	5	red
	10	red
	20	red

	2	red		
Partition plate, 2 mm width	2	red	RB ST (2,5/4)-1,5/S	
Test adapter, 4-mm test socket hole		gray	3030815	
Test plug metal part, 2.3 mm Ø		gray	MPS-MT	
Insulating sleeve, for MPS metal part		red	0201744	
Modular test plug, for the individual assembly of test plug strips		red	0201676	
Screwdriver				
SZF 0-0,4X2,5			1204504	
Lateral groove labeling				
UCT-TM 3,5 or ZB 3,5 (see Catalog 5)				
Center and lateral groove labeling				
UCT-TMF 3,5 or ZBF 3,5 (see Catalog 5)				



2.5 (4) mm², 30 A, feed-through terminal block, 4 connections

4 (6) mm², 38 A, feed-through terminal block, 4 connections

6 (10) mm², 52 A, feed-through terminal block, 4 connections

UL, CE, RoHS, ABS, ClassNK, CB

Ex: IEC 60947-7-1 / IECEx PTB 10.0021U

UL, CE, RoHS, ABS, ClassNK, CB

Ex: IEC 60947-7-1 / IECEx PTB 10.0046U

UL, CE

Technical data			
Width	Length	Height NS 35/7,5	
5.2	72.2	36.8	
I _{max} [A]	U _{max} [V]	max. Ø [mm ²]	AWG
30 ¹⁾	800	0.14 - 4	26 - 12
IEC 60947-7-1			
IEC	UL/CUL	CSA	IEC/EN 60079-7
800	600	600	550
24 ¹⁾ / 2.5	20 / -	20 / -	27
2.5	-	-	2.5
26 - 12	26-12	26-12	26 - 12
solid	stranded	Ferrule	
Without / with plastic sleeve			
0.14 - 4	0.14 - 2.5	0.14 - 2.5	0.14 - 2.5
0.5			
0.34 - 4	-	0.34 - 2.5	0.34 - 2.5
10			
PA			
V0			

Technical data			
Width	Length	Height NS 35/7,5	
6.2	77	36.5	
I _{max} [A]	U _{max} [V]	max. Ø [mm ²]	AWG
38 ¹⁾	800	0.2 - 6	24 - 10
IEC 60947-7-1			
IEC	UL/CUL	CSA	IEC/EN 60079-7
800	600	600	550
32 ¹⁾ / 4	30 / -	30 / -	28
4	-	-	4
24 - 10	24-10	24-10	24 - 10
solid	stranded	Ferrule	
Without / with plastic sleeve			
0.2 - 6	0.2 - 4	0.25 - 4	0.25 - 4
0.5 - 1			
0.5 - 6	-	0.5 - 4	0.5 - 4
12			
PA			
V0			

Technical data			
Width	Length	Height NS 35/7,5	
8.2	90.5	43.5	
I _{max} [A]	U _{max} [V]	max. Ø [mm ²]	AWG
52 ¹⁾	1000	0.5 - 10	20 - 8
IEC 60947-7-1			
IEC	UL/CUL	CSA	IEC/EN 60079-7
1000	600	-	-
41 ¹⁾ / 6	40 / -	-	-
6	-	-	-
20 - 8	20-8	-	-
solid	stranded	Ferrule	
Without / with plastic sleeve			
0.5 - 10	0.5 - 6	0.5 - 6	0.5 - 6
0.5 - 1.5			
1 - 10	-	1 - 6	1 - 6
12			
PA			
V0			

Ordering data			
Type	I _{max}	Order No.	Pcs. / Pkt.
PT 2,5-QUATTRO		3209578	50
PT 2,5-QUATTRO BU		3209581	50

Ordering data			
Type	I _{max}	Order No.	Pcs. / Pkt.
PT 4-QUATTRO		3211797	50
PT 4-QUATTRO BU		3211802	50

Ordering data			
Type	I _{max}	Order No.	Pcs. / Pkt.
PT 6-QUATTRO		3212934	50
PT 6-QUATTRO BU		3212947	50

Accessories ²⁾			
D-ST 2,5-QUATTRO		3030514	50
D-ST 2,5-QUATTRO-0,8 OG		3030513	50
DS-ST 2,5		3036602	10
ISH 2,5/0,2		3002843	50
ISH 2,5/0,5		3002856	50
ISH 2,5/1,0		3002869	50
FBS 2-5	24 A	3030161	50
FBS 3-5	24 A	3030174	50
FBS 4-5	24 A	3030187	50
FBS 5-5	24 A	3030190	50
FBS 10-5	24 A	3030213	10
FBS 20-5	24 A	3030226	10
ATP-ST QUATTRO		3030815	50
PAI-4-N GY		3032871	10
MPS-MT		0201744	10
MPS-IH RD		0201676	10
PS-5		3030983	10
SZF 1-0,6X3,5		1204517	10

Accessories ²⁾			
D-PT 4-QUATTRO		3208979	50
ISH 4/0,5		3002885	50
ISH 4/1,0		3002898	50
FBS 2-6	32 A	3030336	50
FBS 3-6	32 A	3030242	50
FBS 4-6	32 A	3030255	50
FBS 5-6	32 A	3030349	50
FBS 10-6	32 A	3030271	10
FBS 20-6	32 A	3030365	10
RB ST (2,5/4)-1,5/S		3214356	10
ATP-ST QUATTRO		3030815	50
PAI-4-N GY		3032871	10
MPS-MT		0201744	10
MPS-IH RD		0201676	10
PS-6		3030996	10
SZF 1-0,6X3,5		1204517	10

Accessories ²⁾			
D-PT 6-QUATTRO		3212963	10
FBS 2-8	24 A	3030284	10
FBS 3-8	24 A	3030297	10
FBS 4-8	24 A	3030307	10
FBS 5-8	24 A	3030310	10
FBS 10-8	24 A	3030323	10
RB ST 6-(2,5/4)		3030860	10
PAI-4-N GY		3032871	10
MPS-MT		0201744	10
MPS-IH RD		0201676	10
PS-8		3031005	10
SZF 2-0,8X4,0		1204520	10

UC-TM 5, UCT-TM 5 or ZB 5
(see Catalog 5)
UC-TMF 5, UCT-TMF 5 or ZBF 5
(see Catalog 5)

UC-TM 6, UCT-TM 6 or ZB 6
(see Catalog 5)
UC-TMF 6, UCT-TMF 6 or ZBF 6
(see Catalog 5)

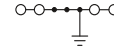
UC-TM 8, UCT-TM 8 or ZB 8
(see Catalog 5)
UC-TMF 8, UCT-TMF 8 or ZBF 8
(see Catalog 5)

PT push-in connection terminal blocks

PT ...-QUATTRO-PE ground terminal blocks with 4 connections

- Same shape and pitch as the feed-through terminal blocks
- Contact is made free from mechanical and electrical errors by simply snapping onto the DIN rail
- All the requirements of standard IEC 60947-7-2 are met

Notes:
For current carrying capacity of DIN rails, see page 716.
1) For installation notes on the use of accessories for Ex e applications, see page 710.



1.5 (1.5) mm², ground terminal block, 4 connections



Dimensions		
		[mm]
Max. electrical data		
Rated data		
Rated voltage	[V]	-
Nominal current / cross section	[A] / [mm ²]	- / -
Rated cross section	[mm ²]	1.5
Cross section range	AWG	26 - 16
Connection capacity		
1 conductor	[mm ²]	0.14 - 1.5
Two stranded conductors with a TWIN ferrule	[mm ²]	0.14 - 1.5
Direct plug-in connection cross sections	[mm ²]	0.25 - 1.5
General data		
Stripping length	[mm]	8
Insulating material		PA
Inflammability class according to UL 94		V0

Technical data				
Width	Length	Height NS 35/7,5		
3.5	63.2	32		
		max. Ø [mm ²]	AWG	
		0.14 - 1.5	26 - 16	
IEC 60947-7-2				
IEC	UL/CUL	CSA	IEC/EN 60079-7	
-	-	-	-	
-	-	-	-	
1.5	-	-	-	
26 - 16	26-14	26-14	-	
Connection capacity		Ferrule		
		Without / with plastic sleeve		
1 conductor	[mm ²]	0.14 - 1.5	0.14 - 1.5	0.14 - 1
Two stranded conductors with a TWIN ferrule	[mm ²]	0.14 - 1.5	0.14 - 1.5	0.14 - 1
Direct plug-in connection cross sections	[mm ²]	0.25 - 1.5	-	0.34 - 1.5
				0.34 - 1
General data				
Stripping length	[mm]	8		
Insulating material		PA		
Inflammability class according to UL 94		V0		

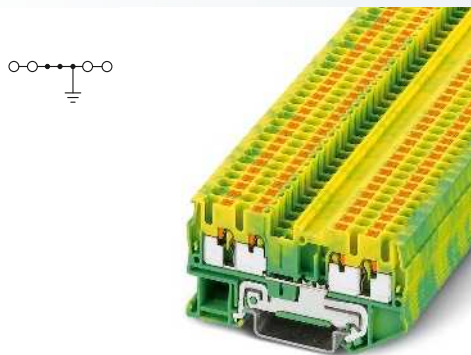
Description	No. of pos.	Color
Ground terminal block, for mounting on NS 35...		green-yellow

Ordering data		
Type	Order No.	Pcs. / Pkt.
PT 1,5/S-QUATTRO-PE	3208333	50

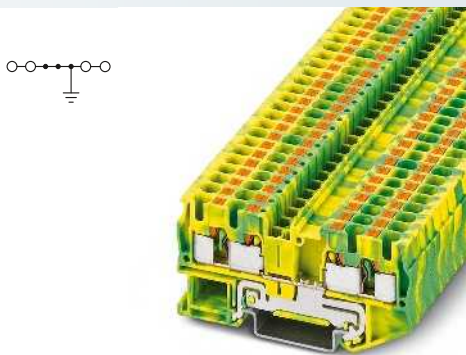
Cover , width 2.2 mm		gray
Cover , 0.8 mm width		orange
End cover segment , for covering multi-conductor terminal blocks when two-conductor terminal blocks are aligned		gray
Insulation stop sleeve , cross section range:		
0.08 - 0.2 mm ²		white
0.25 - 0.5 mm ²		gray
0.75 - 1 mm ²		black
Plug-in bridge		
	2	red
	3	red
	4	red
	5	red
	10	red
	20	red
Partition plate , 2 mm width		gray
Test adapter , 4-mm test socket hole		gray
Test plug metal part , 2.3 mm Ø		
Insulating sleeve , for MPS metal part		red
Modular test plug , for the individual assembly of test plug strips		red
Screwdriver		

Accessories ¹⁾		
Type	Order No.	Pcs. / Pkt.
D-PT 1,5/S-QUATTRO	3208375	50
FBS 2-3,5	3213014	50
FBS 3-3,5	3213027	50
FBS 4-3,5	3213030	50
FBS 5-3,5	3213043	50
FBS 10-3,5	3213056	50
FBS 20-3,5	3213069	50
ATP-ST QUATTRO	3030815	50
MPS-MT	0201744	10
MPS-IH RD	0201676	10
SZF 0-0,4X2,5	1204504	10

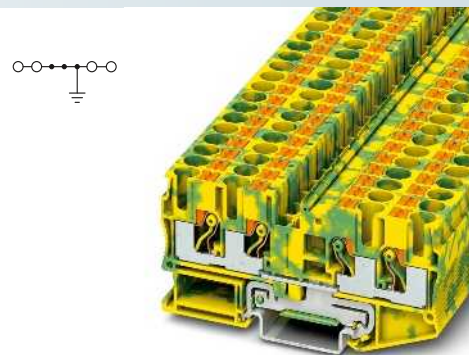
Center groove labeling	UCT-TM 3,5 or ZB 3,5 (see Catalog 5)
Center and lateral groove labeling	UCT-TMF 3,5 or ZBF 3,5 (see Catalog 5)



2.5 (4) mm², ground terminal block,
4 connections



4 (6) mm², ground terminal block,
4 connections



6 (10) mm², ground terminal block,
4 connections

UL US, ABS, ClassNK

Ex: IEC, PA, V0
PTB 09ATEX1111U / IECEx PTB 10.0021U

UL US, ABS, ClassNK

Ex: IEC, PA, V0
PTB 09ATEX1112U / IECEx PTB 10.0046U

UL US

Technical data			
Width	Length	Height NS 35/7,5	
5.2	72.2	36.8	
		max. Ø [mm ²]	AWG
		0.14 - 4	26 - 12
IEC 60947-7-2			
IEC	UL/CUL	CSA	IEC/ EN 60079-7
-	- / -	-	-
2.5	-	-	2.5
26 - 12	26-12	26-12	26 - 12
solid	stranded	Ferrule	
		Without / with plastic sleeve	
0.14 - 4	0.14 - 2.5	0.14 - 2.5	0.14 - 2.5
			0.5
0.34 - 4	-	0.34 - 2.5	0.34 - 2.5
10			
PA			
V0			

Technical data			
Width	Length	Height NS 35/7,5	
6.2	77	36.5	
		max. Ø [mm ²]	AWG
		0.2 - 6	24 - 10
IEC 60947-7-2			
IEC	UL/CUL	CSA	IEC/ EN 60079-7
-	- / -	-	-
4	-	-	4
24 - 10	24-10	24-10	24 - 10
solid	stranded	Ferrule	
		Without / with plastic sleeve	
0.2 - 6	0.2 - 4	0.25 - 4	0.25 - 4
			0.5 - 1
0.5 - 6	-	0.5 - 4	0.5 - 4
12			
PA			
V0			

Technical data			
Width	Length	Height NS 35/7,5	
8.2	90.5	43.5	
		max. Ø [mm ²]	AWG
		0.5 - 10	20 - 8
IEC 60947-7-2			
IEC	UL/CUL	CSA	IEC/ EN 60079-7
-	- / -	-	-
6	-	-	-
20 - 8	20-8	-	-
solid	stranded	Ferrule	
		Without / with plastic sleeve	
0.5 - 10	0.5 - 6	0.5 - 6	0.5 - 6
			0.5 - 1.5
1 - 10	-	1 - 6	1 - 6
12			
PA			
V0			

Ordering data		
Type	Order No.	Pcs. / Pkt.
PT 2,5-QUATTRO-PE	3209594	50

Ordering data		
Type	Order No.	Pcs. / Pkt.
PT 4-QUATTRO-PE	3211809	50

Ordering data		
Type	Order No.	Pcs. / Pkt.
PT 6-QUATTRO-PE	3212950	50

Accessories ¹⁾		
D-ST 2,5-QUATTRO	3030514	50
D-ST 2,5-QUATTRO-0,8 OG	3030513	50
DS-ST 2,5	3036602	10
ISH 2,5/0,2	3002843	50
ISH 2,5/0,5	3002856	50
ISH 2,5/1,0	3002869	50
FBS 2-5	3030161	50
FBS 3-5	3030174	50
FBS 4-5	3030187	50
FBS 5-5	3030190	50
FBS 10-5	3030213	10
FBS 20-5	3030226	10
ATP-ST QUATTRO	3030815	50
PAI-4-N GY	3032871	10
MPS-MT	0201744	10
MPS-IH RD	0201676	10
PS-5	3030983	10
SZF 1-0,6X3,5	1204517	10

Accessories ¹⁾		
D-PT 4-QUATTRO	3208979	50
ISH 4/0,5	3002885	50
ISH 4/1,0	3002898	50
FBS 2-6	3030336	50
FBS 3-6	3030242	50
FBS 4-6	3030255	50
FBS 5-6	3030349	50
FBS 10-6	3030271	10
FBS 20-6	3030365	10
ATP-ST QUATTRO	3030815	50
PAI-4-N GY	3032871	10
MPS-MT	0201744	10
MPS-IH RD	0201676	10
PS-6	3030996	10
SZF 1-0,6X3,5	1204517	10

Accessories ¹⁾		
D-PT 6-QUATTRO	3212963	10
FBS 2-8	3030284	10
FBS 3-8	3030297	10
FBS 4-8	3030307	10
FBS 5-8	3030310	10
FBS 10-8	3030323	10
PAI-4-N GY	3032871	10
MPS-MT	0201744	10
MPS-IH RD	0201676	10
PS-8	3031005	10
SZF 2-0,8X4,0	1204520	10

UC-TM 5, UCT-TM 5 or ZB 5
(see Catalog 5)
UC-TMF 5, UCT-TMF 5 or ZBF 5
(see Catalog 5)

UC-TM 6, UCT-TM 6 or ZB 6
(see Catalog 5)
UC-TMF 6, UCT-TMF 6 or ZBF 6
(see Catalog 5)

UC-TM 8, UCT-TM 8 or ZB 8
(see Catalog 5)
UC-TMF 8, UCT-TMF 8 or ZBF 8
(see Catalog 5)

Modular terminal blocks - CLIPLINE complete

PT push-in connection terminal blocks

PTTB ... double-level terminal blocks



- Compact design for maximum space saving
- Integrated labeling areas on every terminal point
- Optional, large labeling option using STP ... double marker carriers
- Link the levels to the FBS ...-PV bridges

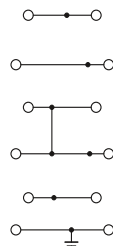
PTTB 4-L 1000V

The feed-through terminal block has been developed for IEC or UL applications up to 1000 V, such as wind power plants

- Compact design
- Tests can be carried out in function shaft
- Large labeling option



Notes:
Meaning of the product code: ...-L/N = lower level gray, upper level blue ...-PE/L = lower level with PE foot, upper level gray ...-PE/N = lower level with PE foot, upper level blue
1) The total current of all connected conductors must not exceed the max. load current.
2) For installation notes on the use of accessories for Ex e applications, see page 710.



1.5 (1.5) mm², 16 A, double-level terminal block, 4 connections



Dimensions		[mm]	
Max. electrical data			
I_{max} [A]	U_{max} [V]	max. Ø [mm ²]	AWG
16	500	0.14 - 1.5	26 - 14
IEC 60947-7-1			
Rated data			
Rated voltage	[V]	500	600
Nominal current / cross section	[A] / [mm ²]	16 / 1.5	15 / -
Rated cross section	[mm ²]	1.5	-
Cross section range	AWG	26 - 14	26-14
Connection capacity			
1 conductor	[mm ²]	0.14 - 1.5	0.14 - 1.5
Two stranded conductors with a TWIN ferrule	[mm ²]		
Direct plug-in connection cross sections	[mm ²]	0.25 - 1.5	-
General data			
Stripping length	[mm]	8	
Insulating material		PA	
Inflammability class according to UL 94		V0	

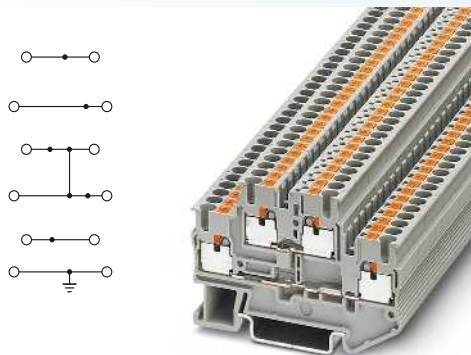
Technical data				
Width	Length	Height NS 35/7,5		
3.5	65.4	42.6		
I_{max} [A]	U_{max} [V]	max. Ø [mm ²]	AWG	
16	500	0.14 - 1.5	26 - 14	
IEC 60947-7-1				
IEC	UL/CUL	CSA	IEC/EN 60079-7	
500	600	600	-	
16 / 1.5	15 / -	15 / -	-	
1.5	-	-	-	
26 - 14	26-14	26-14	-	
Connection capacity				
		Ferrule		
		Without / with plastic sleeve		
solid	stranded			
0.14 - 1.5	0.14 - 1.5	0.14 - 1.5	0.14 - 1	
0.25 - 1.5	-	0.34 - 1.5	0.34 - 1	
General data				
Stripping length	[mm]	8		
Insulating material		PA		
Inflammability class according to UL 94		V0		

Description	No. of pos.	Color
Terminal block , for mounting on NS 35...		gray
		blue
		gray
		gray
		gray
Terminal block , with equipotential bonder, for mounting on NS 35... ¹⁾		gray

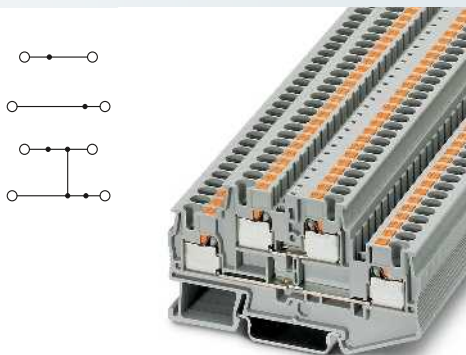
Ordering data			
Type	I_{max}	Order No.	Pcs. / Pkt.
PTTB 1,5/S		3208511	50
PTTB 1,5/S BU		3208524	50
PTTB 1,5/S-L/N		3208544	50
PTTB 1,5/S-PE/L		3208553	50
PTTB 1,5/S-PE/N		3208566	50
PTTB 1,5/S-PV		3208540	50

Cover , width 2.2 mm	gray
Plug-in bridge	
	2 red
	3 red
	4 red
	5 red
	10 red
	20 red
Vertical potential bridge , to connect the upper and lower level	
	black
Partition plate , 2 mm width	gray
Test adapter , 4-mm test socket hole	gray
Test plug metal part , 2.3 mm Ø	
Insulating sleeve , for MPS metal part	red
Modular test plug , for the individual assembly of test plug strips	red
Double marker carrier , can be snapped into PTTB 1,5/S push-in double-level terminal blocks can be labeled with ZB 3,5 or ZBF 3,5	gray
Screwdriver	
Lateral groove labeling	

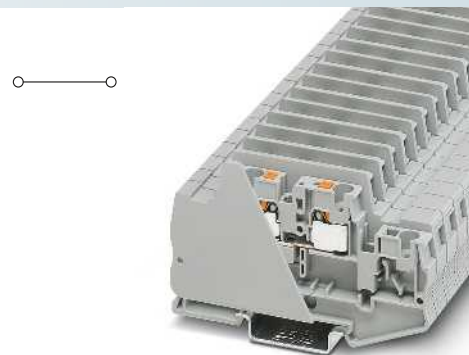
Accessories ²⁾			
Type	I_{max}	Order No.	Pcs. / Pkt.
D-PTTB 1,5/S		3208579	50
FBS 2-3,5	17.5 A	3213014	50
FBS 3-3,5	17.5 A	3213027	50
FBS 4-3,5	17.5 A	3213030	50
FBS 5-3,5	17.5 A	3213043	50
FBS 10-3,5	17.5 A	3213056	50
FBS 20-3,5	17.5 A	3213069	50
FBS 1,5/S-PV		3216263	10
ATP-STTB 4		3030747	50
MPS-MT		0201744	10
MPS-IH RD		0201676	10
STP 3,5-2		0830131	100
SZF 0-0,4X2,5		1204504	10
UCT-TMF 3,5 or ZBF 3,5 (see Catalog 5)			



2.5 (4) mm², 24 A, double-level terminal block, 4 connections



4 (6) mm², 32 A, double-level terminal block, 4 connections



4 (6) mm², 38 A, 1000 V, feed-through terminal block, 2 connections

UL, CE, ABS, ClassNK, CB

Ex: Ex Ex Ex Ex
PTB 09ATEX1111U / IECEx PTB 10.0021U

UL, CE, ABS, ClassNK, CB

Ex: Ex Ex Ex Ex
PTB 09ATEX1112U / IECEx PTB 10.0046U

UL, CE

Technical data			
Width	Length	Height NS 35/7,5	
5.2	68	47.5	
I_{max} [A]	U_{max} [V]	max. Ø [mm ²]	AWG
26	500	0.14 - 4	26 - 12
IEC 60947-7-1			
IEC	UL/CUL	CSA	IEC/EN 60079-7
500	600	600	440
22 / 2.5	20 / -	20 / -	24
2.5	-	-	2.5
26 - 12	26-12	26-12	26 - 12
solid	stranded	Ferrule	
Without / with plastic sleeve			
0.14 - 4	0.14 - 2.5	0.14 - 2.5	0.14 - 2.5
			0.5
0.34 - 4	-	0.34 - 2.5	0.34 - 2.5
10			
PA			
V0			

Technical data			
Width	Length	Height NS 35/7,5	
6.2	83.5	47.5	
I_{max} [A]	U_{max} [V]	max. Ø [mm ²]	AWG
32	500	0.2 - 6	24 - 10
IEC 60947-7-1			
IEC	UL/CUL	CSA	IEC/EN 60079-7
500	600	600	440
28 / 4	28 / -	30 / -	23.5
4	-	-	4
24 - 10	24-10	24-10	24 - 10
solid	stranded	Ferrule	
Without / with plastic sleeve			
0.2 - 6	0.2 - 4	0.25 - 4	0.25 - 4
			0.5 - 1
0.5 - 6	-	0.5 - 4	0.5 - 4
12			
PA			
V0			

Technical data			
Width	Length	Height NS 35/7,5	
8.2	83.5	47.5	
I_{max} [A]	U_{max} [V]	max. Ø [mm ²]	AWG
38	1000	0.2 - 6	24 - 10
IEC 60947-7-1			
IEC	UL/CUL	CSA	IEC/EN 60079-7
1000	1000	1000	-
32 / 4	30 / -	-	-
4	-	-	-
24 - 10	24-10	-	-
solid	stranded	Ferrule	
Without / with plastic sleeve			
0.2 - 6	0.2 - 4	0.25 - 4	0.25 - 4
			0.5 - 1
0.5 - 6	-	0.5 - 4	0.5 - 4
12			
PA			
V0			

Ordering data			
Type	I_{max}	Order No.	Pcs. / Pkt.
PTTB 2,5		3210567	50
PTTB 2,5 BU		3210570	50
PTTB 2,5-L/N		3210994	50
PTTB 2,5-PE/L		3210978	50
PTTB 2,5-PE/N		3210981	50
PTTB 2,5-PV		3210583	50

Ordering data			
Type	I_{max}	Order No.	Pcs. / Pkt.
PTTB 4		3211786	50
PTTB 4 BU		3211793	50
PTTB 4-PV		3211825	50

Ordering data			
Type	I_{max}	Order No.	Pcs. / Pkt.
PTTB 4-L 1000V		3062744	50

Accessories ²⁾			
D-PTTB 2,5		3211634	50
FBS 2-5	20 A	3030161	50
FBS 3-5	20 A	3030174	50
FBS 4-5	20 A	3030187	50
FBS 5-5	20 A	3030190	50
FBS 10-5	20 A	3030213	10
FBS 20-5	20 A	3030226	10
FBS-PV		3032185	50
ATP-STTB 4		3030747	50
PAI-4-N GY		3032871	10
MPS-MT		0201744	10
MPS-IH RD		0201676	10
PS-5		3030983	10
STP 5-2		0800967	100
SZF 1-0,6X3,5		1204517	10

Accessories ²⁾			
D-STTB 4		3030462	50
FBS 2-6	26 A	3030336	50
FBS 3-6	26 A	3030242	50
FBS 4-6	26 A	3030255	50
FBS 5-6	26 A	3030349	50
FBS 10-6	26 A	3030271	10
FBS 20-6	26 A	3030365	10
FBS-PV		3032185	50
ATP-STTB 4		3030747	50
PAI-4-N GY		3032871	10
MPS-MT		0201744	10
MPS-IH RD		0201676	10
PS-6		3030996	10
STP 5-2		0800967	100
SZF 1-0,6X3,5		1204517	10

Accessories ²⁾			
ATP-STTB 4		3030747	50
PAI-4-N GY		3032871	10
MPS-MT		0201744	10
MPS-IH RD		0201676	10
PS-8		3031005	10
STP 5-2		0800967	100
SZF 1-0,6X3,5		1204517	10

UC-TMF 5, UCT-TMF 5 or ZBF 5 (see Catalog 5)

UC-TMF 6, UCT-TMF 6 or ZBF 6 (see Catalog 5)

UC-TMF 8, UCT-TMF 8 or ZBF 8 (see Catalog 5)

PT push-in connection terminal blocks

PTTB ...-PE double-level ground terminal blocks



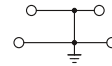
- Same shape and pitch as the feed-through terminal blocks
- Contact is made free from mechanical and electrical errors by simply snapping onto the DIN rail
- All the requirements of standard IEC 60947-7-2 are met

STP ... double marker carriers

- Optional, large labeling option using STP... double marker carriers



Notes:
For current carrying capacity of DIN rails, see page 716.
1) For installation notes on the use of accessories for Ex e applications, see page 710.



1.5 (1.5) mm², double-level ground terminal block



Dimensions		[mm]
Max. electrical data		
Rated data		
Rated voltage	[V]	-
Nominal current / cross section	[A] / [mm ²]	- / -
Rated cross section	[mm ²]	1.5
Cross section range	AWG	26 - 14
Connection capacity		
1 conductor	[mm ²]	0.14 - 1.5
Two stranded conductors with a TWIN ferrule	[mm ²]	0.14 - 1.5
Direct plug-in connection cross sections	[mm ²]	0.25 - 1.5
General data		
Stripping length	[mm]	8
Insulating material		PA
Inflammability class according to UL 94		V0

Technical data				
Width	Length	Height NS 35/7,5		
3.5	65.4	42.6		
max. Ø [mm ²]		AWG		
0.14 - 1.5		26 - 14		
IEC 60947-7-2				
IEC	UL/CUL	CSA	IEC/EN 60079-7	
-	-	-	-	
1.5	-	-	-	
26 - 14	26-14	26-14	-	
Connection capacity		Ferrule		
solid	stranded	Without / with plastic sleeve		
0.14 - 1.5	0.14 - 1.5	0.14 - 1.5	0.14 - 1	
0.25 - 1.5	-	0.34 - 1.5	0.34 - 1	

Description	No. of pos.	Color
Ground terminal block, for mounting on NS 35...		green-yellow

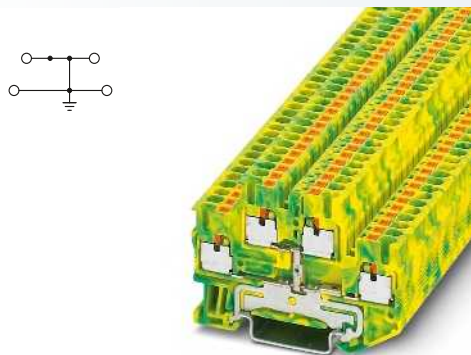
Ordering data		
Type	Order No.	Pcs. / Pkt.
PTTB 1,5/S-PE	3208537	50

Cover, width 2.2 mm		gray
Insulation stop sleeve, cross section range:		
0.08 - 0.2 mm ²		white
0.25 - 0.5 mm ²		gray
0.75 - 1 mm ²		black
Plug-in bridge		
	2	red
	3	red
	4	red
	5	red
	10	red
	20	red
Partition plate, 2 mm width		gray
Test adapter, 4-mm test socket hole		gray
Test plug metal part, 2.3 mm Ø		
Insulating sleeve, for MPS metal part		red
Modular test plug, for the individual assembly of test plug strips		red
Double marker carrier, can be snapped into PTTB 1,5/S push-in double-level terminal blocks can be labeled with ZB 3,5 or ZBF 3,5		gray

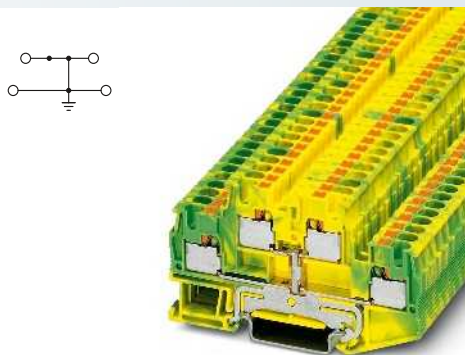
Accessories ¹⁾		
D-PTTB 1,5/S	3208579	50
FBS 2-3,5	3213014	50
FBS 3-3,5	3213027	50
FBS 4-3,5	3213030	50
FBS 5-3,5	3213043	50
FBS 10-3,5	3213056	50
FBS 20-3,5	3213069	50
ATP-STTB 4	3030747	50
MPS-MT	0201744	10
MPS-IH RD	0201676	10
STP 3,5-2	0830131	100
SZF 0-0,4X2,5	1204504	10

Screwdriver		
Lateral groove labeling		

UCT-TMF 3,5 or ZBF 3,5 (see Catalog 5)		
--	--	--



2.5 (4) mm², double-level ground terminal block



4 (6) mm², double-level ground terminal block

UL US PC ABS ClassNK

Ex: IEC PTB 09ATEX1111U / IECEx PTB 10.0021U

UL US PC ABS ClassNK

Ex: IEC PTB 09ATEX1112U / IECEx PTB 10.0046U

Technical data			
Width	Length	Height NS 35/7,5	
5.2	68	47.5	
		max. Ø [mm ²]	AWG
		0.14 - 4	26 - 12
IEC 60947-7-2			
IEC	UL/CUL	CSA	IEC/ EN 60079-7
-	-	-	-
-	-/-	-	-
2.5	-	-	2.5
26 - 12	26-12	26-12	26 - 12
solid	stranded	Ferrule	
		Without / with plastic sleeve	
0.14 - 4	0.14 - 2.5	0.14 - 2.5	0.14 - 2.5
			0.5
0.34 - 4	-	0.34 - 2.5	0.34 - 2.5
10			
PA			
V0			

Technical data			
Width	Length	Height NS 35/7,5	
6.2	83.5	47.5	
		max. Ø [mm ²]	AWG
		0.2 - 6	24 - 10
IEC 60947-7-2			
IEC	UL/CUL	CSA	IEC/ EN 60079-7
-	-	-	-
-	-/-	-	-
4	-	-	4
24 - 10	24-10	24-10	24 - 10
solid	stranded	Ferrule	
		Without / with plastic sleeve	
0.2 - 6	0.2 - 4	0.25 - 4	0.25 - 4
			0.5 - 1
0.5 - 6	-	0.5 - 4	0.5 - 4
12			
PA			
V0			

Ordering data		
Type	Order No.	Pcs. / Pkt.
PTTB 2,5-PE	3210596	50

Ordering data		
Type	Order No.	Pcs. / Pkt.
PTTB 4-PE	3211854	50

Accessories ¹⁾		
D-PTTB 2,5	3211634	50
ISH 2,5/0,2	3002843	50
ISH 2,5/0,5	3002856	50
ISH 2,5/1,0	3002869	50
FBS 2-5	3030161	50
FBS 3-5	3030174	50
FBS 4-5	3030187	50
FBS 5-5	3030190	50
FBS 10-5	3030213	10
FBS 20-5	3030226	10
ATP-STTB 4	3030747	50
PAI-4-N GY	3032871	10
MPS-MT	0201744	10
MPS-IH RD	0201676	10
PS-5	3030983	10
STP 5-2	0800967	100
SZF 1-0,6X3,5	1204517	10

Accessories ¹⁾		
D-STTB 4	3030462	50
ISH 4/0,5	3002885	50
ISH 4/1,0	3002898	50
FBS 2-6	3030336	50
FBS 3-6	3030242	50
FBS 4-6	3030255	50
FBS 5-6	3030349	50
FBS 10-6	3030271	10
FBS 20-6	3030365	10
ATP-STTB 4	3030747	50
PAI-4-N GY	3032871	10
MPS-MT	0201744	10
MPS-IH RD	0201676	10
PS-6	3030996	10
STP 5-2	0800967	100
SZF 1-0,6X3,5	1204517	10

UC-TMF 5, UCT-TMF 5 or ZBF 5 (see Catalog 5)

UC-TMF 6, UCT-TMF 6 or ZBF 6 (see Catalog 5)

Modular terminal blocks - CLIPLINE complete

PT push-in connection terminal blocks

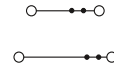
PTTBS ... desk-design double-level terminal blocks



- The angled push-in double-level terminal blocks in desk design are characterized by:
- Two bridge shafts on both levels for all potential distribution tasks
 - Two large-surface labeling options
 - The different heights of the marking grooves makes it easy to see to which level the labeling belongs
 - Potential bridging of levels using the **FBS-PV** vertical potential bridge

CLIP PROJECT Planning enables the quick and convenient planning and configuration of fault-free terminal strips.

Notes:
For current carrying capacity of DIN rails, see page 716.
1) The total current of all connected conductors must not exceed the max. load current.



2.5 (4) mm², 24 A, double-level terminal block



Dimensions	
	[mm]
Max. electrical data	
Rated voltage	[V]
Nominal current / cross section	[A] / [mm ²]
Rated cross section	[mm ²]
Cross section range	AWG
Connection capacity	
1 conductor	[mm ²]
Two stranded conductors with a TWIN ferrule	[mm ²]
Direct plug-in connection cross sections	[mm ²]
General data	
Stripping length	[mm]
Insulating material	
Inflammability class according to UL 94	

Technical data				
Width	Length	Height NS 35/7,5		
5.2	78	55		
I _{max} [A]	U _{max} [V]	max. Ø [mm ²]	AWG	
24	500	0.14 - 4	26 - 12	
IEC 60947-7-1				
IEC	UL/CUL	CSA	IEC/EN 60079-7	
Rated voltage	600	600	-	
Nominal current / cross section	22 / 2.5	20 / -	20 / -	
Rated cross section	2.5	-	-	
Cross section range	26 - 12	26-12	26-12	
Connection capacity		solid	stranded	Ferrule
		Without / with plastic sleeve		
1 conductor	0.14 - 4	0.14 - 2.5	0.14 - 2.5	0.14 - 2.5
Two stranded conductors with a TWIN ferrule	-	-	-	0.5
Direct plug-in connection cross sections	0.34 - 4	-	0.34 - 2.5	0.34 - 2.5
General data				
Stripping length	10			
Insulating material	PA			
Inflammability class according to UL 94	V0			

Description	No. of pos.	Color
Terminal block, for mounting on NS 35...		gray blue
Terminal block, with equipotential bonder, for mounting on NS 35... ¹⁾		gray
Ground terminal block, for mounting on NS 35...		green-yellow

Ordering data			
Type	I _{max}	Order No.	Pcs. / Pkt.
PTTBS 2,5		3209604	50
PTTBS 2,5 BU		3209617	50

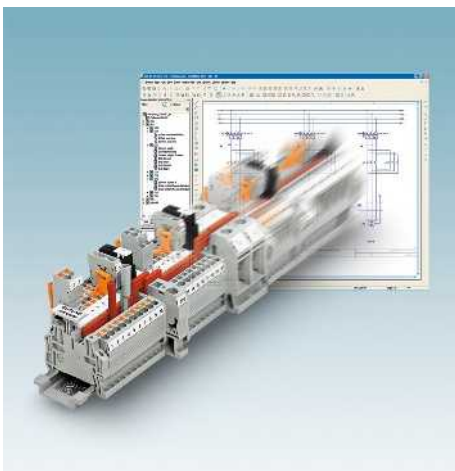
Cover, width 2.2 mm		gray
Insulation stop sleeve, cross section range:		
0.08 - 0.2 mm ²		white
0.25 - 0.5 mm ²		gray
0.75 - 1 mm ²		black
Plug-in bridge		
	2	red
	3	red
	4	red
	5	red
	10	red
	20	red

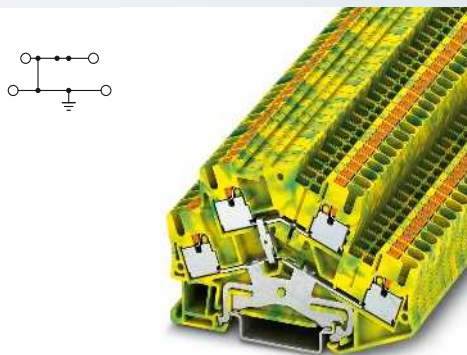
Accessories			
D-STTBS 2,5		3038503	50
ISH 2,5/0,2		3002843	50
ISH 2,5/0,5		3002856	50
ISH 2,5/1,0		3002869	50
FBS 2-5	20 A	3030161	50
FBS 3-5	20 A	3030174	50
FBS 4-5	20 A	3030187	50
FBS 5-5	20 A	3030190	50
FBS 10-5	20 A	3030213	10
FBS 20-5	20 A	3030226	10

Vertical potential bridge, to connect the upper and lower level		black
Partition plate, 2 mm width		gray
Test adapter, 4-mm test socket hole		gray
Test plug metal part, 2.3 mm Ø		
Insulating sleeve, for MPS metal part		red
Modular test plug, for the individual assembly of test plug strips		red

FBS-PV		3032185	50
ATP-STTB 4		3030747	50
PAI-4-N GY		3032871	10
MPS-MT		0201744	10
MPS-IH RD		0201676	10
PS-5		3030983	10

Screwdriver		SZF 1-0,6X3,5	1204517	10
Center groove labeling		UC-TM 5, UCT-TM 5 or ZB 5 (see Catalog 5)		





2.5 (4) mm², 26 A, double-level terminal block, internally connected levels

2.5 (4) mm², double-level ground terminal block



Technical data			
Width	Length	Height NS 35/7,5	
5.2	78	55	
I_{max} [A]	U_{max} [V]	max. Ø [mm ²]	AWG
26*)	500	0.14 - 4	26 - 12
IEC 60947-7-1			
IEC	UL/CUL	CSA	IEC/EN 60079-7
500	600	600	-
22*) / 2.5	20 / -	20 / -	-
2.5	-	-	-
26 - 12	26-12	26-12	-
solid	stranded	Ferrule	
Without / with plastic sleeve			
0.14 - 4	0.14 - 2.5	0.14 - 2.5	0.14 - 2.5
			0.5
0.34 - 4	-	0.34 - 2.5	0.34 - 2.5
10	PA	V0	

Technical data			
Width	Length	Height NS 35/7,5	
5.2	78	55	
I_{max} [A]	U_{max} [V]	max. Ø [mm ²]	AWG
26*)	500	0.14 - 4	26 - 12
IEC 60947-7-2			
IEC	UL/CUL	CSA	IEC/EN 60079-7
-	-	-	-
-	- / -	-	-
2.5	-	-	-
26 - 12	26-12	26-12	-
solid	stranded	Ferrule	
Without / with plastic sleeve			
0.14 - 4	0.14 - 2.5	0.14 - 2.5	0.14 - 2.5
			0.5
0.34 - 4	-	0.34 - 2.5	0.34 - 2.5
10	PA	V0	

Ordering data			
Type	I_{max}	Order No.	Pcs. / Pkt.
PTBS 2,5-PV		3210211	50

Ordering data			
Type	I_{max}	Order No.	Pcs. / Pkt.
PTBS 2,5-PE		3209620	50

Accessories			
D-STTBS 2,5		3038503	50
ISH 2,5/0,2		3002843	50
ISH 2,5/0,5		3002856	50
ISH 2,5/1,0		3002869	50
FBS 2-5	20 A	3030161	50
FBS 3-5	20 A	3030174	50
FBS 4-5	20 A	3030187	50
FBS 5-5	20 A	3030190	50
FBS 10-5	20 A	3030213	10
FBS 20-5	20 A	3030226	10
ATP-STTB 4		3030747	50
PAI-4-N GY		3032871	10
MPS-MT		0201744	10
MPS-IH RD		0201676	10
PS-5		3030983	10
SZF 1-0,6X3,5		1204517	10

Accessories			
D-STTBS 2,5		3038503	50
ISH 2,5/0,2		3002843	50
ISH 2,5/0,5		3002856	50
ISH 2,5/1,0		3002869	50
FBS 2-5		3030161	50
FBS 3-5		3030174	50
FBS 4-5		3030187	50
FBS 5-5		3030190	50
FBS 10-5		3030213	10
FBS 20-5		3030226	10
ATP-STTB 4		3030747	50
PAI-4-N GY		3032871	10
MPS-MT		0201744	10
MPS-IH RD		0201676	10
PS-5		3030983	10
SZF 1-0,6X3,5		1204517	10

UC-TM 5, UCT-TM 5 or ZB 5 (see Catalog 5)

UC-TM 5, UCT-TM 5 or ZB 5 (see Catalog 5)

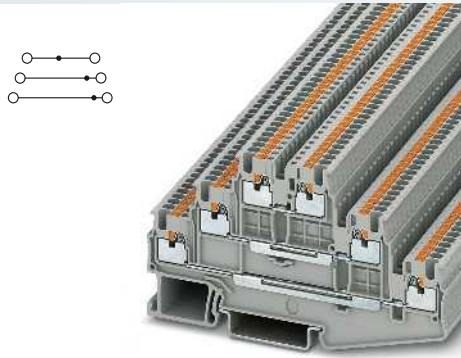
Modular terminal blocks - CLIPLINE complete

PT push-in connection terminal blocks

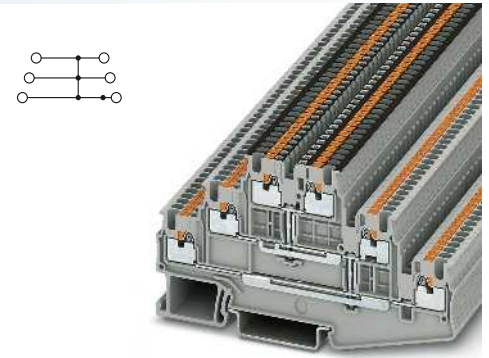
PT 1,5/S-... three-level terminal blocks

- 3.5 mm design width
- Function shafts on all levels
- Integrated labeling areas on every terminal point
- The ...PE/L/L and ...PE/L/N terminal block types offer clear and unambiguous assignment through the use of color coding of the housing surfaces

Notes:
For current carrying capacity of DIN rails, see page 716.
1) The total current of all connected conductors must not exceed the max. load current.



1.5 (1.5) mm², 15 A, three-level terminal block



1.5 (1.5) mm², 15 A, three-level terminal block, internally connected levels



Dimensions		[mm]
Max. electrical data		
Rated voltage	[V]	500
Nominal current / cross section	[A] / [mm ²]	15 / 1.5
Rated cross section	[mm ²]	1.5
Cross section range	AWG	26 - 16
Connection capacity		
1 conductor	[mm ²]	0.14 - 1.5
Two stranded conductors with a TWIN ferrule	[mm ²]	0.14 - 1.5
Direct plug-in connection cross sections	[mm ²]	0.25 - 1.5
General data		
Stripping length	[mm]	8
Insulating material		PA
Inflammability class according to UL 94		V0

Technical data				
Width	Length	Height NS 35/7,5		
3.5	97.2	53.2		
I _{max} [A]	U _{max} [V]	max. Ø [mm ²]	AWG	
15	500	0.14 - 1.5	26 - 16	
IEC 60947-7-1				
IEC	UL/CUL	CSA	IEC/EN 60079-7	
500	600	600	-	
15 ¹⁾ / 1.5	15 / -	15 / -	-	
1.5	-	-	-	
26 - 16	26-14	26-14	-	
solid				
stranded				
Without / with plastic sleeve				
0.14 - 1.5	0.14 - 1.5	0.14 - 1.5	0.14 - 1	
0.25 - 1.5	-	0.34 - 1.5	0.34 - 1	
8				
PA				
V0				

Technical data				
Width	Length	Height NS 35/7,5		
3.5	97.2	53.2		
I _{max} [A]	U _{max} [V]	max. Ø [mm ²]	AWG	
15 ¹⁾	500	0.14 - 1.5	26 - 16	
IEC 60947-7-1				
IEC	UL/CUL	CSA	IEC/EN 60079-7	
500	600	600	-	
15 ¹⁾ / 1.5	15 / -	15 / -	-	
1.5	-	-	-	
26 - 16	26-14	26-14	-	
solid				
stranded				
Without / with plastic sleeve				
0.14 - 1.5	0.14 - 1.5	0.14 - 1.5	0.14 - 1	
0.25 - 1.5	-	0.34 - 1.5	0.34 - 1	
8				
PA				
V0				

Description	No. of pos.	Color
Terminal block, for mounting on NS 35...		gray
Terminal block, with equipotential bonder, for mounting on NS 35...		blue
Ground terminal block, for mounting on NS 35...		gray
		green-yellow

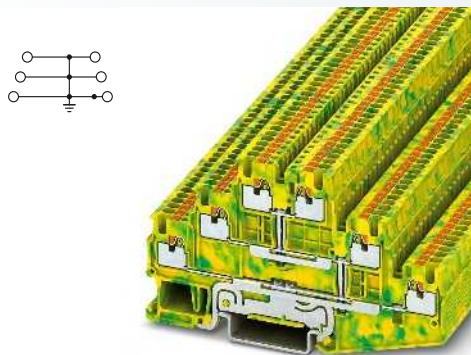
Ordering data				
Type	I _{max}	Order No.	Pcs. / Pkt.	
PT 1,5/S-3L		3213713	50	
PT 1,5/S-3L BU		3213726	50	

Ordering data				
Type	I _{max}	Order No.	Pcs. / Pkt.	
PT 1,5/S-3PV		3213742	50	

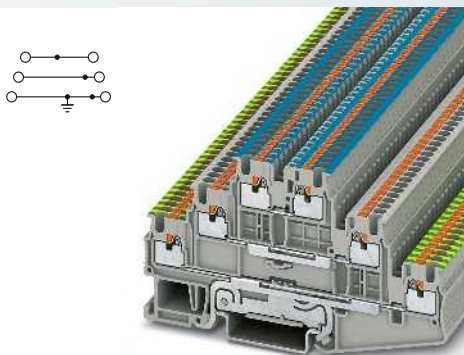
Accessories		
Item	Color	Quantity
Cover, width 2.2 mm	gray	
Plug-in bridge		
	2	red
	3	red
	4	red
	5	red
	10	red
Vertical potential bridge, to connect the upper and lower level	black	
Test plug metal part, 2.3 mm Ø		
Insulating sleeve, for MPS metal part	red	
Triple marker carrier, can be snapped into the PT 1,5/S-3... push-in three-level terminal block, can be labeled with ZB 3,5 or ZBF 3,5	gray	
Screwdriver		
Lateral groove labeling		

Accessories				
Item	I _{max}	Order No.	Pcs. / Pkt.	
D-PT 1,5/S-3L		3113771	50	
FBS 2-3,5	17.5 A	3213014	50	
FBS 3-3,5	17.5 A	3213027	50	
FBS 4-3,5	17.5 A	3213030	50	
FBS 5-3,5	17.5 A	3213043	50	
FBS 10-3,5	17.5 A	3213056	50	
FBS 1,5/S-PV		3216263	10	
MPS-MT		0201744	10	
MPS-IH RD		0201676	10	
STP 3,5-3		0830132	100	
SZF 0-0,4X2,5		1204504	10	
UCT-TMF 3,5 or ZBF 3,5 (see Catalog 5)				

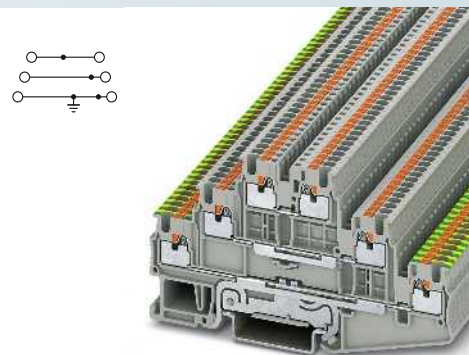
Accessories				
Item	I _{max}	Order No.	Pcs. / Pkt.	
D-PT 1,5/S-3L		3113771	50	
FBS 2-3,5	17.5 A	3213014	50	
FBS 3-3,5	17.5 A	3213027	50	
FBS 4-3,5	17.5 A	3213030	50	
FBS 5-3,5	17.5 A	3213043	50	
FBS 10-3,5	17.5 A	3213056	50	
MPS-MT		0201744	10	
MPS-IH RD		0201676	10	
STP 3,5-3		0830132	100	
SZF 0-0,4X2,5		1204504	10	
UCT-TMF 3,5 or ZBF 3,5 (see Catalog 5)				



1.5 (1.5) mm², three-level ground terminal block



1.5 (1.5) mm², 15 A, three-level terminal block with PE foot



1.5 (1.5) mm², 15 A, three-level terminal block with PE foot



Technical data			
Width	Length	Height NS 35/7,5	
3.5	97.2	53.2	
		max. Ø [mm ²]	AWG
		0.14 - 1.5	26 - 16
IEC 60947-7-2			
IEC	UL/CUL	CSA	IEC/EN 60079-7
-	-	-	-
-	-/-	-	-
1.5	-	-	-
26 - 16	26-14	26-14	-
solid	stranded	Ferrule Without / with plastic sleeve	
0.14 - 1.5	0.14 - 1.5	0.14 - 1.5	0.14 - 1
0.25 - 1.5	-	0.34 - 1.5	0.34 - 1
8	PA	V0	

Technical data			
Width	Length	Height NS 35/7,5	
3.5	97.2	53.2	
		max. Ø [mm ²]	AWG
		0.14 - 1.5	26 - 16
IEC 60947-7-1 / IEC 60947-7-2			
IEC	UL/CUL	CSA	IEC/EN 60079-7
500	600	600	-
15 / 1.5	15 / -	15 / -	-
1.5	-	-	-
26 - 16	26-14	26-14	-
solid	stranded	Ferrule Without / with plastic sleeve	
0.14 - 1.5	0.14 - 1.5	0.14 - 1.5	0.14 - 1
0.25 - 1.5	-	0.34 - 1.5	0.34 - 1
8	PA	V0	

Technical data			
Width	Length	Height NS 35/7,5	
3.5	97.2	53.2	
		max. Ø [mm ²]	AWG
		0.14 - 1.5	26 - 16
IEC 60947-7-1 / IEC 60947-7-2			
IEC	UL/CUL	CSA	IEC/EN 60079-7
500	600	600	-
15 / 1.5	15 / -	15 / -	-
1.5	-	-	-
26 - 16	26-14	26-14	-
solid	stranded	Ferrule Without / with plastic sleeve	
0.14 - 1.5	0.14 - 1.5	0.14 - 1.5	0.14 - 1
0.25 - 1.5	-	0.34 - 1.5	0.34 - 1
8	PA	V0	

Ordering data		
Type	Order No.	Pcs. / Pkt.
PT 1,5/S-3PE	3213739	50

Ordering data			
Type	I _{max}	Order No.	Pcs. / Pkt.
PT 1,5/S-PE/L/N		3213755	50

Ordering data			
Type	I _{max}	Order No.	Pcs. / Pkt.
PT 1,5/S-PE/L/L		3213768	50

Accessories		
D-PT 1,5/S-3L	3113771	50
FBS 2-3,5	3213014	50
FBS 3-3,5	3213027	50
FBS 4-3,5	3213030	50
FBS 5-3,5	3213043	50
FBS 10-3,5	3213056	50
MPS-MT	0201744	10
MPS-IH RD	0201676	10
STP 3,5-3	0830132	100
SZF 0-0,4X2,5	1204504	10

Accessories			
D-PT 1,5/S-3L	3113771	50	
FBS 2-3,5	17.5 A	3213014	50
FBS 3-3,5	17.5 A	3213027	50
FBS 4-3,5	17.5 A	3213030	50
FBS 5-3,5	17.5 A	3213043	50
FBS 10-3,5	17.5 A	3213056	50
MPS-MT		0201744	10
MPS-IH RD		0201676	10
STP 3,5-3		0830132	100
SZF 0-0,4X2,5		1204504	10

Accessories			
D-PT 1,5/S-3L	3113771	50	
FBS 2-3,5	17.5 A	3213014	50
FBS 3-3,5	17.5 A	3213027	50
FBS 4-3,5	17.5 A	3213030	50
FBS 5-3,5	17.5 A	3213043	50
FBS 10-3,5	17.5 A	3213056	50
FBS 1,5/S-PV		3216263	10
MPS-MT		0201744	10
MPS-IH RD		0201676	10
STP 3,5-3		0830132	100
SZF 0-0,4X2,5		1204504	10

UCT-TMF 3,5 or ZBF 3,5 (see Catalog 5)

UCT-TMF 3,5 or ZBF 3,5 (see Catalog 5)

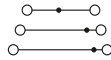
UCT-TMF 3,5 or ZBF 3,5 (see Catalog 5)

Modular terminal blocks - CLIPLINE complete

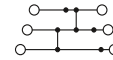
PT push-in connection terminal blocks

PT 2,5-... three-level terminal blocks

- Function shafts on all levels
- Integrated labeling areas on every terminal point
- The ...PE/L/L and ...PE/L/N terminal block types offer clear and unambiguous assignment through the use of color coding of the housing surfaces



2.5 (4) mm², 24 A, three-level terminal block



2.5 (4) mm², 24 A, three-level terminal block, internally connected levels

Notes:
For current carrying capacity of DIN rails, see page 716.
1) The total current of all connected conductors must not exceed the max. load current.



Dimensions		[mm]
Max. electrical data		
Rated data		
Rated voltage	[V]	500
Nominal current / cross section	[A] / [mm ²]	20 / 2.5
Rated cross section	[mm ²]	2.5
Cross section range	AWG	26 - 12
Connection capacity		
1 conductor	[mm ²]	0.14 - 4
Two stranded conductors with a TWIN ferrule	[mm ²]	0.14 - 2.5
Direct plug-in connection cross sections	[mm ²]	0.34 - 4
General data		
Stripping length	[mm]	10
Insulating material		PA
Inflammability class according to UL 94		V0

Technical data				
Width	Length	Height NS 35/7,5		
5.2	102	58		
I _{max} [A]	U _{max} [V]	max. Ø [mm ²]	AWG	
24	500	0.14 - 4	26 - 12	
IEC 60947-7-1				
IEC	UL/CUL	CSA	IEC/EN 60079-7	
Rated voltage	300	300	-	
Nominal current / cross section	20 / -	20 / -	-	
Rated cross section	-	-	-	
Cross section range	26-12	26-12	-	
Connection capacity		Ferrule		
		Without / with plastic sleeve		
1 conductor	0.14 - 4	0.14 - 2.5	0.14 - 2.5	0.14 - 2.5
Two stranded conductors with a TWIN ferrule	0.34 - 4	-	-	0.5
Direct plug-in connection cross sections	0.34 - 4	-	0.34 - 2.5	0.34 - 2.5
General data				
Stripping length	10			
Insulating material	PA			
Inflammability class according to UL 94	V0			

Technical data				
Width	Length	Height NS 35/7,5		
5.2	102	58		
I _{max} [A]	U _{max} [V]	max. Ø [mm ²]	AWG	
24 ¹⁾	500	0.14 - 4	26 - 12	
IEC 60947-7-1				
IEC	UL/CUL	CSA	IEC/EN 60079-7	
Rated voltage	300	-	-	
Nominal current / cross section	20 ¹⁾ / 2.5	-	-	
Rated cross section	2.5	-	-	
Cross section range	26 - 12	-	-	
Connection capacity		Ferrule		
		Without / with plastic sleeve		
1 conductor	0.14 - 4	0.14 - 2.5	0.14 - 2.5	0.14 - 2.5
Two stranded conductors with a TWIN ferrule	0.34 - 4	-	-	0.5
Direct plug-in connection cross sections	0.34 - 4	-	0.34 - 2.5	0.34 - 2.5
General data				
Stripping length	10			
Insulating material	PA			
Inflammability class according to UL 94	V0			

Description	No. of pos.	Color
Terminal block, for mounting on NS 35...		gray
Terminal block, with equipotential bonder, for mounting on NS 35...		blue
Ground terminal block, for mounting on NS 35...		gray
Ground terminal block, for mounting on NS 35...		green-yellow

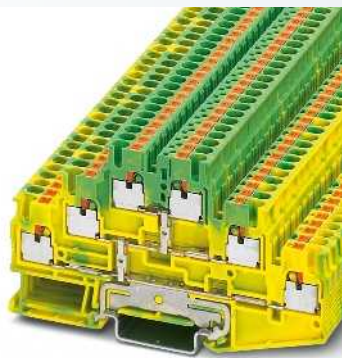
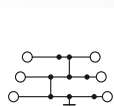
Ordering data			
Type	I _{max}	Order No.	Pcs. / Pkt.
PT 2,5-3L		3210499	50
PT 2,5-3L BU		3210509	50

Ordering data			
Type	I _{max}	Order No.	Pcs. / Pkt.
PT 2,5-3PV		3210512	50

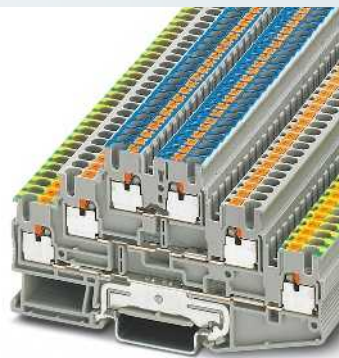
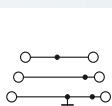
Accessories	
Cover, width 2.2 mm	gray
Insulation stop sleeve, cross section range:	
0.08 - 0.2 mm ²	white
0.25 - 0.5 mm ²	gray
0.75 - 1 mm ²	black
Plug-in bridge	
	2 red
	3 red
	4 red
	5 red
	10 red
	20 red
Vertical potential bridge, to connect the upper and lower level	
	black
Test adapter, 4-mm test socket hole	gray
Test plug metal part, 2.3 mm Ø	
Insulating sleeve, for MPS metal part	red
Modular test plug, for the individual assembly of test plug strips	red
Three-compartment marker carrier, can be snapped into ST 2,5-3... and PT 2,5-3... three-level terminal blocks, can be labeled with UC-TMF 5 and ZBF 5 or ...TM 5 and ZB 5	gray
Screwdriver	
Lateral groove labeling	

Accessories			
D-PT 2,5-3L		Order No.	Pcs. / Pkt.
ISH 2,5/0,2		3002843	50
ISH 2,5/0,5		3002856	50
ISH 2,5/1,0		3002869	50
FBS 2-5	20 A	3030161	50
FBS 3-5	20 A	3030174	50
FBS 4-5	20 A	3030187	50
FBS 5-5	20 A	3030190	50
FBS 10-5	20 A	3030213	10
FBS 20-5	20 A	3030226	10
FBS-PV		3032185	50
PAI-4-N GY		3032871	10
MPS-MT		0201744	10
MPS-IH RD		0201676	10
PS-5		3030983	10
STP 5-3		0810562	100
SZF 1-0,6X3,5		1204517	10

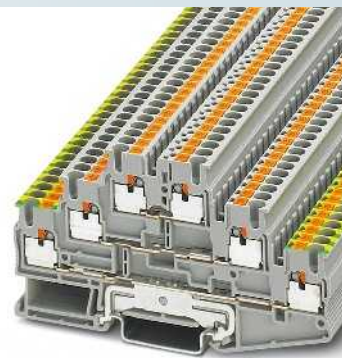
Accessories			
D-PT 2,5-3L		Order No.	Pcs. / Pkt.
ISH 2,5/0,2		3002843	50
ISH 2,5/0,5		3002856	50
ISH 2,5/1,0		3002869	50
FBS 2-5	20 A	3030161	50
FBS 3-5	20 A	3030174	50
FBS 4-5	20 A	3030187	50
FBS 5-5	20 A	3030190	50
FBS 10-5	20 A	3030213	10
FBS 20-5	20 A	3030226	10
PAI-4-N GY		3032871	10
MPS-MT		0201744	10
MPS-IH RD		0201676	10
PS-5		3030983	10
STP 5-3		0810562	100
SZF 1-0,6X3,5		1204517	10



2.5 (4) mm², three-level ground terminal block



2.5 (4) mm², 24 A, three-level terminal block with PE foot



2.5 (4) mm², 24 A, three-level terminal block with PE foot



Technical data			
Width	Length	Height NS 35/7,5	
5.2	102	58	
		max. Ø [mm ²]	AWG
		0.14 - 4	26 - 12
IEC 60947-7-2			
IEC	UL/CUL	CSA	IEC/EN 60079-7
-	-	-	-
-	-/-	-	-
2.5	-	-	-
26 - 12	26-12	26-12	-
solid	stranded	Ferrule	
		Without / with plastic sleeve	
0.14 - 4	0.14 - 2.5	0.14 - 2.5	0.14 - 2.5
			0.5
0.34 - 4	-	0.34 - 2.5	0.34 - 2.5
10	PA	V0	

Technical data			
Width	Length	Height NS 35/7,5	
5.2	102	58	
<i>I</i> _{max} [A]	<i>U</i> _{max} [V]	max. Ø [mm ²]	AWG
24	500	0.14 - 4	26 - 12
IEC 60947-7-1 / IEC 60947-7-2			
IEC	UL/CUL	CSA	IEC/EN 60079-7
500	300	300	-
20 / 2.5	20 / -	20 / -	-
2.5	-	-	-
26 - 12	26-12	26-12	-
solid	stranded	Ferrule	
		Without / with plastic sleeve	
0.14 - 4	0.14 - 2.5	0.14 - 2.5	0.14 - 2.5
			0.5
0.34 - 4	-	0.34 - 2.5	0.34 - 2.5
10	PA	V0	

Technical data			
Width	Length	Height NS 35/7,5	
5.2	102	58	
<i>I</i> _{max} [A]	<i>U</i> _{max} [V]	max. Ø [mm ²]	AWG
24	500	0.14 - 4	26 - 12
IEC 60947-7-1 / IEC 60947-7-2			
IEC	UL/CUL	CSA	IEC/EN 60079-7
500	300	300	-
20 / 2.5	20 / -	20 / -	-
2.5	-	-	-
26 - 12	26-12	26-12	-
solid	stranded	Ferrule	
		Without / with plastic sleeve	
0.14 - 4	0.14 - 2.5	0.14 - 2.5	0.14 - 2.5
			0.5
0.34 - 4	-	0.34 - 2.5	0.34 - 2.5
10	PA	V0	

Ordering data		
Type	Order No.	Pcs. / Pkt.
PT 2,5-3PE	3210525	50

Ordering data			
Type	<i>I</i> _{max}	Order No.	Pcs. / Pkt.
PT 2,5-PE/L/N		3210538	50

Ordering data			
Type	<i>I</i> _{max}	Order No.	Pcs. / Pkt.
PT 2,5-PE/L/L		3210541	50

Accessories		
D-PT 2,5-3L	3211647	50
ISH 2,5/0,2	3002843	50
ISH 2,5/0,5	3002856	50
ISH 2,5/1,0	3002869	50
FBS 2-5	3030161	50
FBS 3-5	3030174	50
FBS 4-5	3030187	50
FBS 5-5	3030190	50
FBS 10-5	3030213	10
FBS 20-5	3030226	10
PAI-4-N GY	3032871	10
MPS-MT	0201744	10
MPS-IH RD	0201676	10
PS-5	3030983	10
STP 5-3	0810562	100
SZF 1-0,6X3,5	1204517	10

Accessories			
D-PT 2,5-3L	3211647	50	
ISH 2,5/0,2	3002843	50	
ISH 2,5/0,5	3002856	50	
ISH 2,5/1,0	3002869	50	
FBS 2-5	20 A	3030161	50
FBS 3-5	20 A	3030174	50
FBS 4-5	20 A	3030187	50
FBS 5-5	20 A	3030190	50
FBS 10-5	20 A	3030213	10
FBS 20-5	20 A	3030226	10
PAI-4-N GY		3032871	10
MPS-MT		0201744	10
MPS-IH RD		0201676	10
PS-5		3030983	10
STP 5-3		0810562	100
SZF 1-0,6X3,5		1204517	10

Accessories			
D-PT 2,5-3L	3211647	50	
ISH 2,5/0,2		3002843	50
ISH 2,5/0,5		3002856	50
ISH 2,5/1,0		3002869	50
FBS 2-5	20 A	3030161	50
FBS 3-5	20 A	3030174	50
FBS 4-5	20 A	3030187	50
FBS 5-5	20 A	3030190	50
FBS 10-5	20 A	3030213	10
FBS 20-5	20 A	3030226	10
FBS-PV		3032185	50
PAI-4-N GY		3032871	10
MPS-MT		0201744	10
MPS-IH RD		0201676	10
PS-5		3030983	10
STP 5-3		0810562	100
SZF 1-0,6X3,5		1204517	10

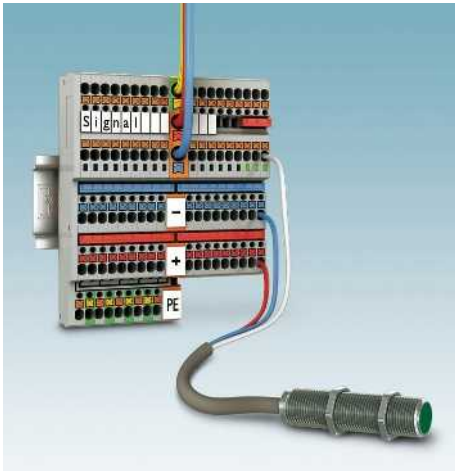
UC-TMF 5, UCT-TMF 5 or ZBF 5 (see Catalog 5)

UC-TMF 5, UCT-TMF 5 or ZBF 5 (see Catalog 5)

UC-TMF 5, UCT-TMF 5 or ZBF 5 (see Catalog 5)

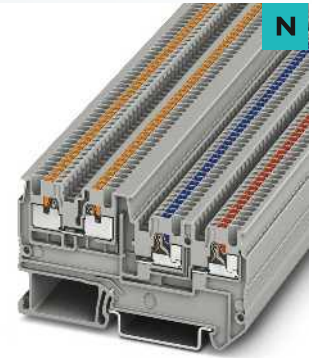
PT push-in connection terminal blocks

PTIO ... three-conductor initiator/actuator terminal block



- For wiring three-conductor initiators and actuators in a space-saving and time-saving way with a terminal block width of just 3.5 mm
- The upper level is for signal wiring, whereas the two lower levels are for distributing the positive and negative potential
- Three-conductor output terminal block of the same shape with PE connection in the lower level for wiring actuators
- Direct contacting on the DIN rail, visually clear labeling of PE terminal point
- Versions with light indicator for indicating the switching states
- Potential is supplied via the PTIO-IN power terminal blocks with a conductor connection capacity of 2.5 mm²
- The power terminal blocks are wired from the signal wiring side
- Power terminal blocks can be set at any desired point of the terminal strip for supply or extension
- Lateral potential distribution by means of FBS ... plug-in bridges from the CLIPLINE complete system, individual terminal points can be jumped by releasing contact pins

Notes:
For current carrying capacity of DIN rails, see page 716.
For other color versions of the plug-in bridge, see page 473.
1) In the case of central power feed.



1.5 (1.5) mm², 13.5 A, three-conductor initiator terminal block

Dimensions	
	[mm]
Max. electrical data	
Rated data	
Rated voltage	[V]
Nominal current / cross section	[A] / [mm ²]
Rated cross section	[mm ²]
Cross section range	AWG
Connection capacity	
1 conductor	[mm ²]
Two stranded conductors with a TWIN ferrule	[mm ²]
Direct plug-in connection cross sections	[mm ²]
General data	
Stripping length	[mm]
Insulating material	
Inflammability class according to UL 94	

Technical data				
Width	Length	Height NS 35/7.5		
3.5	74.4	41.5		
I _{max} [A]	U _{max} [V]	max. Ø [mm ²]	AWG	
13.5	250	0.14 - 1.5	26 - 14	
IEC 60947-7-1				
IEC	UL/CUL	CSA	IEC/EN 60079-7	
Rated voltage				
250	-	-		
Nominal current / cross section				
13.5 / 1.5	- / -	-		
Rated cross section				
1.5	-	-		
Cross section range				
26 - 14	-	-		
Connection capacity			Ferrule	
solid	stranded		Without / with plastic sleeve	
0.14 - 1.5	0.14 - 1.5	0.14 - 1.5	0.14 - 1	
0.25 - 1.5	-	0.34 - 1.5	0.34 - 1	
General data				
Stripping length	8			
Insulating material	PA			
Inflammability class according to UL 94	V0			

Description	No. of pos.	Color
Terminal block , for mounting on NS 35...		gray
With red LED for 15 - 30 V DC, 0.31 - 0.95 mA, LED between upper and middle level		gray
With green LED for 15 - 30 V DC, 0.31 - 0.95 mA, LED between upper and middle level		gray
Terminal block , with PE connection, for mounting on NS 35...		gray
Power terminal block		orange

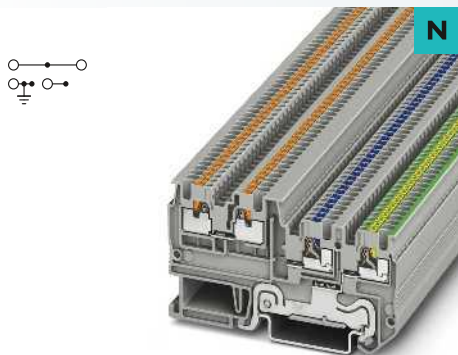
Cover , width 2.2 mm		gray
Insulation stop sleeve , cross section range:		
0.08 - 0.2 mm ²		white
0.25 - 0.5 mm ²		gray
0.75 - 1 mm ²		black
Plug-in bridge		
	2	red
	3	red
	4	red
	5	red
	10	red
	20	red
	50	red
Test plug metal part , 2.3 mm Ø		
Insulating sleeve , for MPS metal part		red
Screwdriver		

Center groove labeling
Center and lateral groove labeling

Ordering data		
Type	Order No.	Pcs. / Pkt.
PTIO 1,5/S/3	3244410	50
PTIO 1,5/S/3-LED 24 RD	3244423	50
PTIO 1,5/S/3-LED 24 GN	3244436	50

Accessories		
D-PTIO 1,5/S/3	3244575	50
FBS 2-3,5	3213014	50
FBS 3-3,5	3213027	50
FBS 4-3,5	3213030	50
FBS 5-3,5	3213043	50
FBS 10-3,5	3213056	50
FBS 20-3,5	3213069	50
FBS 50-3,5	3000706	10
MPS-MT	0201744	10
MPS-IH RD	0201676	10
SZF 0-0,4X2,5	1204504	10

UCT-TM 3,5 or ZB 3,5 (see Catalog 5)
UCT-TMF 3,5 or ZBF 3,5 (see Catalog 5)



1.5 (1.5) mm², 13.5 A, three-conductor actuator terminal block with PE foot



2.5 (4) mm², 20 A, power terminal block

Technical data			
Width	Length	Height NS 35/7,5	
3.5	74.4	41.5	
I_{max} [A]	U_{max} [V]	max. Ø [mm ²]	AWG
13.5	250	0.14 - 1.5	26 - 14
IEC 60947-7-1 / IEC 60947-7-2			
IEC	UL/CUL	CSA	IEC/EN 60079-7
250	-	-	-
13.5 / 1.5	- / -	-	-
1.5	-	-	-
26 - 14	-	-	-
solid	stranded	Ferrule Without / with plastic sleeve	
0.14 - 1.5	0.14 - 1.5	0.14 - 1.5	0.14 - 1
0.25 - 1.5	-	0.34 - 1.5	0.34 - 1
8			
PA			
V0			

Technical data			
Width	Length	Height NS 35/7,5	
7	74.4	41.5	
I_{max} [A]	U_{max} [V]	max. Ø [mm ²]	AWG
20 ¹⁾	250	0.14 - 4	26 - 12
IEC 60947-7-1			
IEC	UL/CUL	CSA	IEC/EN 60079-7
250	-	-	-
20 / 2.5	- / -	-	-
2.5	-	-	-
26 - 12	-	-	-
solid	stranded	Ferrule Without / with plastic sleeve	
0.14 - 4	0.14 - 2.5	0.14 - 2.5	0.14 - 2.5 0.5
0.34 - 4	-	0.34 - 2.5	0.34 - 2.5
10			
PA			
V0			

Ordering data		
Type	Order No.	Pcs. / Pkt.
PTIO 1,5/S/3-PE	3244449	50

Ordering data		
Type	Order No.	Pcs. / Pkt.
PTIO-IN 2,5/3 OG	3244559	50

Accessories		
D-PTIO 1,5/S/3	3244575	50
FBS 2-3,5	3213014	50
FBS 3-3,5	3213027	50
FBS 4-3,5	3213030	50
FBS 5-3,5	3213043	50
FBS 10-3,5	3213056	50
FBS 20-3,5	3213069	50
FBS 50-3,5	3000706	10
MPS-MT	0201744	10
MPS-IH RD	0201676	10
SZF 0-0,4X2,5	1204504	10

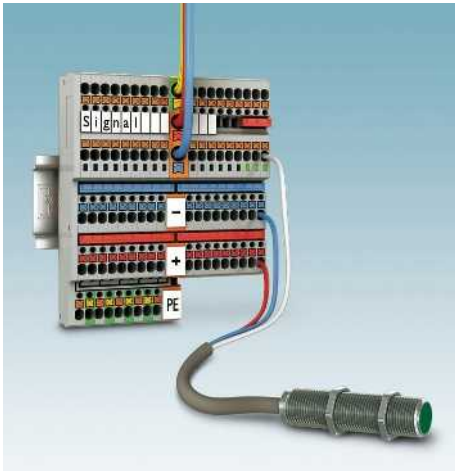
Accessories		
D-PTIO 1,5/S/3	3244575	50
ISH 2,5/0,2	3002843	50
ISH 2,5/0,5	3002856	50
ISH 2,5/1,0	3002869	50
FBS 2-3,5	3213014	50
FBS 3-3,5	3213027	50
FBS 4-3,5	3213030	50
FBS 5-3,5	3213043	50
FBS 10-3,5	3213056	50
FBS 20-3,5	3213069	50
FBS 50-3,5	3000706	10
SZF 1-0,6X3,5	1204517	10

UC-TM 3,5 or ZB 3,5
(see Catalog 5)
UC-TMF 3,5 or ZBF 3,5
(see Catalog 5)

UC-TM 10, UCT-TM 10 or ZB 10
(see Catalog 5)
UC-TMF 10, UCT-TMF 10 or ZBF 10
(see Catalog 5)

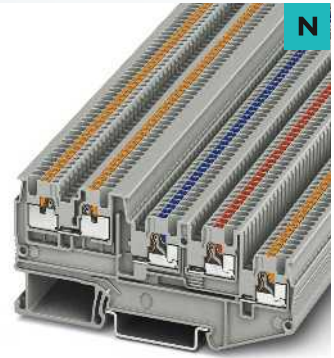
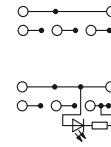
PT push-in connection terminal blocks

PTIO ... four-conductor initiator/actuator terminal block



- For wiring four-conductor initiators and actuators in a space-saving and time-saving way with a terminal block width of just 3.5 mm
- The upper level is for signal wiring, whereas the two lower levels are for distributing the positive and negative potential
- Four-conductor output terminal block of the same shape with PE connection in the lower level for wiring actuators
- Direct contacting on the DIN rail, visually clear labeling of PE terminal point
- Versions with light indicator for indicating the switching states
- Potential is supplied via the PTIO-IN power terminal blocks with a conductor connection capacity of 2.5 mm²
- The power terminal blocks are wired from the signal wiring side
- Power terminal blocks can be set at any desired point of the terminal strip for supply or extension
- Lateral potential distribution by means of FBS ... plug-in bridges from the CLIPLINE complete system, individual terminal points can be jumped by releasing contact pins

Notes:
For current carrying capacity of DIN rails, see page 716.
For other color versions of the plug-in bridge, see page 473.
1) In the case of central power feed.



1.5 (1.5) mm², 13.5 A, four-conductor initiator terminal block

Dimensions	
	[mm]
Max. electrical data	
Rated voltage	[V]
Nominal current / cross section	[A] / [mm ²]
Rated cross section	[mm ²]
Cross section range	AWG
Connection capacity	
1 conductor	[mm ²]
Two stranded conductors with a TWIN ferrule	[mm ²]
Direct plug-in connection cross sections	[mm ²]
General data	
Stripping length	[mm]
Insulating material	
Inflammability class according to UL 94	

Technical data				
Width	Length	Height NS 35/7,5		
3.5	90.8	41.5		
I _{max} [A]	U _{max} [V]	max. Ø [mm ²]	AWG	
13.5	250	0.14 - 1.5	26 - 14	
IEC 60947-7-1				
IEC	UL/CUL	CSA	IEC/EN 60079-7	
Rated voltage				
250	-	-		
13.5 / 1.5	- / -	-		
Rated cross section				
1.5	-	-		
Cross section range				
26 - 14	-	-		
Connection capacity		solid	stranded	Ferrule
				Without / with plastic sleeve
1 conductor		0.14 - 1.5	0.14 - 1.5	0.14 - 1.5 0.14 - 1
Two stranded conductors with a TWIN ferrule				
Direct plug-in connection cross sections		0.25 - 1.5	-	0.34 - 1.5 0.34 - 1
General data				
Stripping length		8		
Insulating material		PA		
Inflammability class according to UL 94		V0		

Description	No. of pos.	Color
Terminal block , for mounting on NS 35...		gray
With red LED for 15 - 30 V DC, 0.31 - 0.95 mA, LED between upper and middle level		gray
With green LED for 15 - 30 V DC, 0.31 - 0.95 mA, LED between upper and middle level		gray
Terminal block , with PE connection, for mounting on NS 35...		gray
Power terminal block , with PE connection		orange

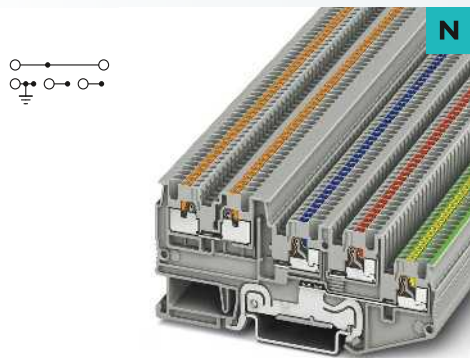
Cover , width 2.2 mm		gray
Insulation stop sleeve , cross section range:		
0.08 - 0.2 mm ²		white
0.25 - 0.5 mm ²		gray
0.75 - 1 mm ²		black
Plug-in bridge		
	2	red
	3	red
	4	red
	5	red
	10	red
	20	red
	50	red
Test plug metal part , 2.3 mm Ø		
Insulating sleeve , for MPS metal part		red
Screwdriver		

Center groove labeling
Center and lateral groove labeling

Ordering data		
Type	Order No.	Pcs. / Pkt.
PTIO 1,5/S/4	3244452	50
PTIO 1,5/S/4-LED 24 RD	3244517	50
PTIO 1,5/S/4-LED 24 GN	3244520	50

Accessories		
D-PTIO 1,5/S/4	3244588	50
FBS 2-3,5	3213014	50
FBS 3-3,5	3213027	50
FBS 4-3,5	3213030	50
FBS 5-3,5	3213043	50
FBS 10-3,5	3213056	50
FBS 20-3,5	3213069	50
FBS 50-3,5	3000706	10
MPS-MT	0201744	10
MPS-IH RD	0201676	10
SZF 0-0,4X2,5	1204504	10

UCT-TM 3,5 or ZB 3,5 (see Catalog 5)
UCT-TMF 3,5 or ZBF 3,5 (see Catalog 5)



1.5 (1.5) mm², 13.5 A, four-conductor actuator terminal block with PE foot



2.5 (4) mm², 20 A, power terminal block with PE foot

Technical data			
Width	Length	Height NS 35/7,5	
3.5	90.8	41.5	
I_{max} [A]	U_{max} [V]	max. Ø [mm ²]	AWG
13.5	250	0.14 - 1.5	26 - 14
IEC 60947-7-1 / IEC 60947-7-2			
IEC	UL/CUL	CSA	IEC/EN 60079-7
250	-	-	-
13.5 / 1.5	- / -	-	-
1.5	-	-	-
26 - 14	-	-	-
solid	stranded	Ferrule Without / with plastic sleeve	
0.14 - 1.5	0.14 - 1.5	0.14 - 1.5	0.14 - 1
0.25 - 1.5	-	0.34 - 1.5	0.34 - 1
8	PA	V0	

Technical data			
Width	Length	Height NS 35/7,5	
7	90.8	41.5	
I_{max} [A]	U_{max} [V]	max. Ø [mm ²]	AWG
20 ¹⁾	250	0.14 - 4	26 - 12
IEC 60947-7-1 / IEC 60947-7-2			
IEC	UL/CUL	CSA	IEC/EN 60079-7
250	-	-	-
20 / 2.5	- / -	-	-
2.5	-	-	-
26 - 12	-	-	-
solid	stranded	Ferrule Without / with plastic sleeve	
0.14 - 4	0.14 - 2.5	0.14 - 2.5	0.14 - 2.5 0.5
0.34 - 4	-	0.34 - 2.5	0.34 - 2.5
10	PA	V0	

Ordering data		
Type	Order No.	Pcs. / Pkt.
PTIO 1,5/S/4-PE	3244465	50

Ordering data		
Type	Order No.	Pcs. / Pkt.
PTIO-IN 2,5/4-PE OG	3244481	50

Accessories		
D-PTIO 1,5/S/4	3244588	50
FBS 2-3,5	3213014	50
FBS 3-3,5	3213027	50
FBS 4-3,5	3213030	50
FBS 5-3,5	3213043	50
FBS 10-3,5	3213056	50
FBS 20-3,5	3213069	50
FBS 50-3,5	3000706	10
MPS-MT	0201744	10
MPS-IH RD	0201676	10
SZF 0-0,4X2,5	1204504	10

Accessories		
D-PTIO 1,5/S/4	3244588	50
ISH 2,5/0,2	3002843	50
ISH 2,5/0,5	3002856	50
ISH 2,5/1,0	3002869	50
FBS 2-3,5	3213014	50
FBS 3-3,5	3213027	50
FBS 4-3,5	3213030	50
FBS 5-3,5	3213043	50
FBS 10-3,5	3213056	50
FBS 20-3,5	3213069	50
FBS 50-3,5	3000706	10
SZF 1-0,6X3,5	1204517	10

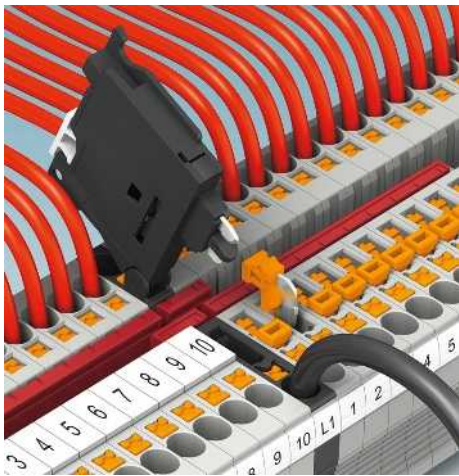
UC-TM 3,5 or ZB 3,5
(see Catalog 5)
UC-TMF 3,5 or ZBF 3,5
(see Catalog 5)

UC-TM 10, UCT-TM 10 or ZB 10
(see Catalog 5)
UC-TMF 10, UCT-TMF 10 or ZBF 10
(see Catalog 5)

Modular terminal blocks - CLIPLINE complete

PT push-in connection terminal blocks

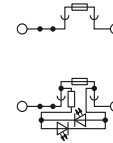
PT 4-HESI... lever-type fuse terminal blocks



The lever-type fuse terminal blocks are characterized by:

- Compact design and same shape as PT 4 feed-through terminal blocks and ...-MT and ...-TG function terminals
- Two function shafts mean that all potential distribution tasks can be undertaken at speed
- For example, jumping bridging can be used to bypass two separate potentials, see figure below.
- Test connection on both sides in safety lever
- Versions with light indicator for indicating that a fuse has blown round off the range

Notes:
1) If the fuse is faulty, the downstream circuit is not off load.
2) The reducing bridge table should be followed, see page 476.
3) The current is determined by the fuse used, the voltage by the selected light indicator. Observe the maximum power dissipation, see www.phoenixcontact.net/products .



4 (6) mm², 6.3 A, lever-type fuse terminal block for 5 x 20 mm cartridge fuses

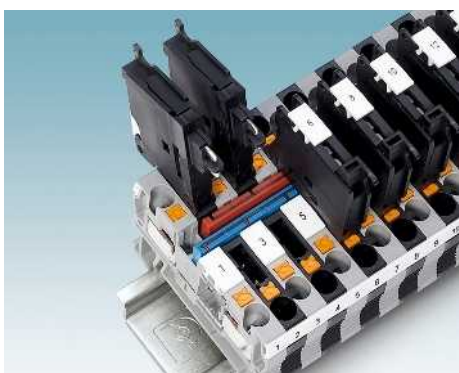


Dimensions		[mm]
Max. electrical data		
Rated data		
Rated voltage	[V]	500 ³⁾
Nominal current / cross section	[A] / [mm ²]	6.3 / 1
Rated cross section	[mm ²]	4
Cross section range	AWG	24 - 10
Connection capacity		
1 conductor	[mm ²]	0.2 - 6
Two stranded conductors with a TWIN ferrule	[mm ²]	0.2 - 4
Direct plug-in connection cross sections	[mm ²]	0.5 - 6
General data		
Fuse type / dimensions	- / [mm]	G / 5 x 20
Stripping length	[mm]	12
Insulating material		PA
Inflammability class according to UL 94		V0

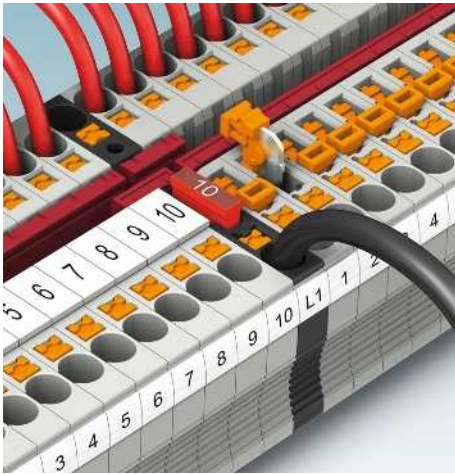
Technical data				
Width	Length	Height NS 35/7,5		
6.2	56	62.5		
I _{max} [A]	U _{max} [V]	max. Ø [mm ²]	AWG	
6.3 ³⁾	500 ³⁾	0.2 - 6	24 - 10	
IEC 60947-7-3				
IEC	UL/CUL	CSA	IEC/EN 60079-7	
500 ³⁾	300	300	-	
6.3 / 1	6.3 / -	6.3 / -	-	
4	-	-	-	
24 - 10	24-10	24-10	-	
Connection capacity		Ferrule		
solid	stranded	Without / with plastic sleeve		
0.2 - 6	0.2 - 4	0.25 - 4	0.25 - 4	
			0.5 - 1	
0.5 - 6	-	0.5 - 4	0.5 - 4	
Ordering data				
Type		I _{max}	Order No.	Pcs. / Pkt.
PT 4-HESI (5X20)			3211861	50
PT 4-HESILED 24 (5X20)			3211903	50
PT 4-HESILED 60 (5X20)			3207908	50
PT 4-HESILA 250 (5X20)			3211907	50
Accessories				
D-ST 4			3030420	50
FBS 2-6	32 A		3030336	50
FBS 3-6	32 A		3030242	50
FBS 4-6	32 A		3030255	50
FBS 5-6	32 A		3030349	50
FBS 10-6	32 A		3030271	10
FBS 20-6	32 A		3030365	10
RB ST (2,5/4)-1,5/S			3214356	10
ATP-ST 4			3030721	50
VS			3004207	1
SZF 1-0,6X3,5			1204517	10
Lever labeling				
UC-TM 5, UCT-TM 5 or ZB 5 (see Catalog 5)				
Lateral groove labeling				
UC-TMF 6, UCT-TMF 6 or ZBF 6 (see Catalog 5)				

Description	No. of pos.	Color
Fuse terminal block , for mounting on NS 35..., for cartridge fuse inserts 5 x 20 mm		black
With LED for 12-30 V AC/DC, 0.31-0.95 mA ¹⁾		black
For 30-60 V AC/DC, 0.40-0.86 mA ¹⁾		black
For 110-250 V AC/DC, 0.41-0.96 mA ¹⁾		black

Cover , width 2.2 mm		gray
Plug-in bridge		
	2	red
	3	red
	4	red
	5	red
	10	red
	20	red
Reducing bridge²⁾		
	2	red
Partition plate , 2 mm width		gray
Connection pin , for coupling several fuse terminal blocks, made of plastic, 1 m long		gray
Screwdriver		



PT 4-FSI/F fuse terminal blocks for auto flat-type fuses

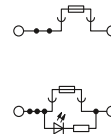


The fuse terminal blocks for auto flat-type fuses are characterized by:

- Compact design and same shape as PT 4 feed-through terminal blocks and ...-MT and ...-TG function terminals
- Two function shafts mean that all potential distribution tasks can be undertaken at speed
- For example, jumping bridging can be used to bypass two separate potentials, see figure below.
- Versions with light indicator for indicating that a fuse has blown round off the range
- Type C auto flat-type fuse terminal blocks are also available in the “ST spring-cage connection terminal blocks” section



Notes:
1) If the fuse is faulty, the downstream circuit is not off load.
2) The current is determined by the fuse used, the voltage by the light indicator.
3) The reducing bridge table should be followed, see page 476.
4) 15 A for single arrangement, 10 A for group arrangement. For the derating curve, see www.phoenixcontact.net/products. The recommended continuous load capacity of fuse inserts according to DIN 72581/Part 3 is a maximum of 80% of their nominal current (at an ambient temperature of 23°C).



4 (6) mm², 10 A, fuse terminal block for type F flat-type fuses



Dimensions		[mm]
Max. electrical data		
Rated data		
Rated voltage	[V]	400 ²⁾
Nominal current / cross section	[A] / [mm ²]	10 ²⁾ / 4
Rated cross section	[mm ²]	4
Cross section range	AWG	24 - 10
Connection capacity		
1 conductor	[mm ²]	0.2 - 6
Two stranded conductors with a TWIN ferrule	[mm ²]	0.2 - 4
Direct plug-in connection cross sections	[mm ²]	0.5 - 6
General data		
Fuse type / dimensions	- / [mm]	Type F (miniature)
Stripping length	[mm]	12
Insulating material		PA
Inflammability class according to UL 94		V0

Technical data			
Width	Length	Height NS 35/7,5	
6.2	56	36.5	
I _{max} [A]	U _{max} [V]	max. Ø [mm ²]	AWG
15 ⁴⁾	400 ²⁾	0.2 - 6	24 - 10
IEC	UL/CUL	CSA	IEC/EN 60079-7
400 ²⁾	300	300	-
10 ²⁾ / 4	15 / -	15 / -	-
4	-	-	-
24 - 10	24-10	24-10	-
solid	stranded	Ferrule Without / with plastic sleeve	
0.2 - 6	0.2 - 4	0.25 - 4	0.25 - 4
			0.5 - 1
0.5 - 6	-	0.5 - 4	0.5 - 4

Description	No. of pos.	Color
Fuse terminal block , for mounting on NS 35...		black
With light indicator for 12 V DC, 1.7 mA ¹⁾		black
For 24 V DC, 1.9 mA ¹⁾		black

Ordering data			
Type	I _{max}	Order No.	Pcs. / Pkt.
PT 4-FSI/F		3208943	50
PT 4-FSI/F-LED 12		3208951	50
PT 4-FSI/F-LED 24		3208964	50

Cover , width 2.2 mm		gray
Insulation stop sleeve , cross section range:		
0.25 - 0.5 mm ²		gray
0.75 - 1 mm ²		black
Plug-in bridge		
	2	red
	3	red
	4	red
	5	red
	10	red
	20	red
Reducing bridge³⁾		
	2	red
Partition plate , 2 mm width		gray
Test adapter , 4-mm test socket hole		gray
Test plug metal part , 2.3 mm Ø		
Insulating sleeve , for MPS metal part		red
Modular test plug , for the individual assembly of test plug strips		red
Screwdriver		
		SZF 1-0,6X3,5
Lateral groove labeling		
		UC-TMF 6, UCT-TMF 6 or ZBF 6 (see Catalog 5)

Accessories			
D-ST 4		3030420	50
ISH 4/0,5		3002885	50
ISH 4/1,0		3002898	50
FBS 2-6	32 A	3030336	50
FBS 3-6	32 A	3030242	50
FBS 4-6	32 A	3030255	50
FBS 5-6	32 A	3030349	50
FBS 10-6	32 A	3030271	10
FBS 20-6	32 A	3030365	10
RB ST (2,5/4)-1,5/S		3214356	10
ATP-ST 4		3030721	50
PAI-4-N GY		3032871	10
MPS-MT		0201744	10
MPS-IH RD		0201676	10
PS-6		3030996	10
SZF 1-0,6X3,5		1204517	10
UC-TMF 6, UCT-TMF 6 or ZBF 6 (see Catalog 5)			



Branch out

The device circuit breakers provide reliable protection even if your systems involve long cable paths. Together with the SFB technology* of the QUINT POWER power supply units, the special SFB tripping characteristic of the CB device circuit breakers ensures fast shutdown in the event of an error. This combination offers maximum protection against overload and short-circuit currents.

*SFB - Selective Fuse Breaking, selective shutdown

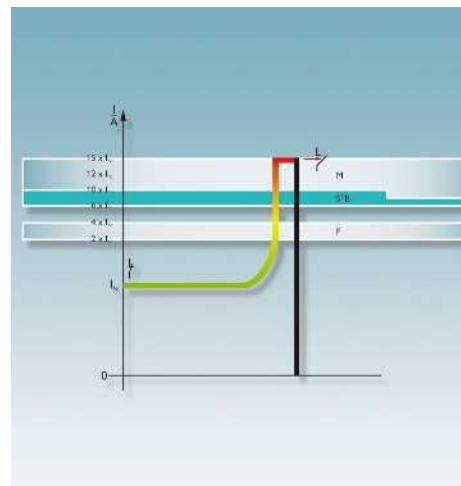
Individual adaptation

You can pre-wire your systems with base elements and individually equip them with protective plugs on site. The device circuit breakers can also be quickly adapted to accommodate necessary changes in your system. Should you change a load, simply replace the relevant protective plug. Various tripping methods, characteristic curves, and nominal currents are available depending on the application.

Modular expansion

It couldn't be easier. Extend your system with additional device circuit breakers in no time at all. You can bridge the power distribution, remote signaling or even the auxiliary voltage for electronic circuit breakers without this resulting in significant wiring costs. The uniform, plug-in housing concept as well as the bridgeability of the base elements simplify installation.

Detailed information on the device circuit breakers can be found in Catalog 6 or at www.phoenixcontact.net/products



Latching

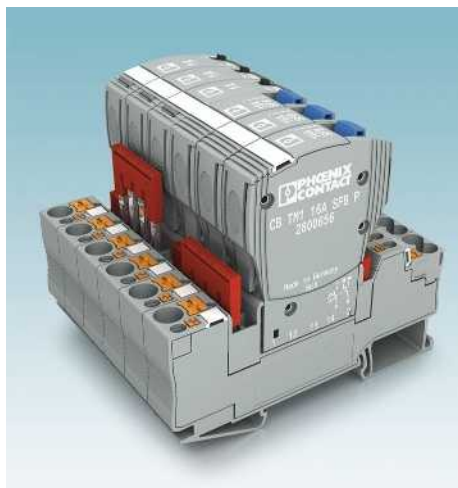
You can quickly and easily remove the plugs from the base element. The new latching ensures a secure fit in harsh environments and where there are vibrations in the installation environment. It holds the plug in place in the base element.

Coding

Straightforward coding means that components can be mounted on the base element according to individual requirements without any errors.

SFB tripping characteristic

Thermomagnetic device circuit breakers with SFB tripping characteristic* provide maximum overcurrent protection – even in large systems with long cable paths.



Bridging

With the unique bridging system from our standard range, the device circuit breakers can be combined easily as per your requirements. Potentials of the same type can be connected quickly and safely.

Variable connection technologies

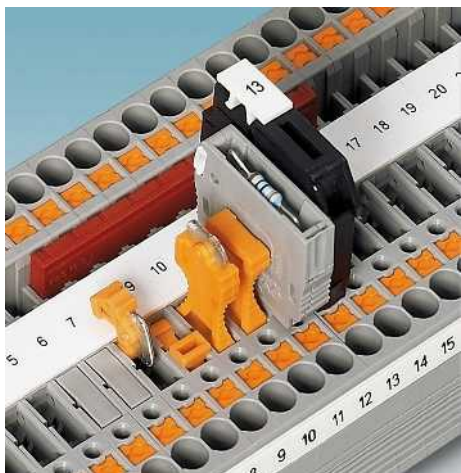
You can choose base elements with either push-in or screw connection technology.

Device circuit breaker board

Multi-channel device circuit breaker boards are available with 4, 8 or 12 channels.

PT push-in connection terminal blocks

PT ...-TG disconnect terminal blocks for accommodating function plugs



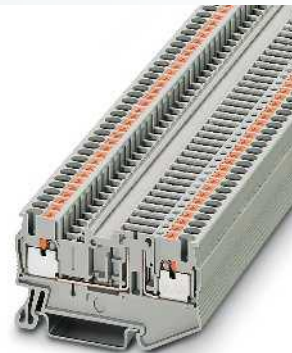
- For disconnect terminal block with universal disconnect zone for accommodating isolating plugs, feed-through connectors, component plugs, and fuse plugs, see page 483
- Seamless and can be double bridged for all tasks in time-saving potential supply and distribution
- Testing facility on both sides of the disconnect point

P-FU 5X20-5 fuse plug

- Appropriate for short-circuit and overload protection
- When offset, the fuse plug fits on the disconnect terminal blocks with a 5.2 mm pitch, see figure below



Notes:
For PT1 2,5...-TG multi-level disconnect terminal blocks, see page 193.
1) The total current of all connected conductors must not exceed the max. load current.
2) If the fuse is faulty, the downstream circuit is not off load.
3) Observe max. load current.
4) Observe max. load current, depending on the power dissipation of the components. Max. 0.5 W with single arrangement.
5) For max. power dissipation, see page 724.
6) Current and voltage are determined by the plug used.
7) The reducing bridge table should be followed, see page 476.



2.5 (4) mm², 20 A, disconnect terminal block



Dimensions	[mm]
Max. electrical data	
Rated data	
Rated voltage	[V]
Nominal current / cross section	[A] / [mm ²]
Rated cross section	[mm ²]
Cross section range	AWG
Connection capacity	
1 conductor	[mm ²]
Two stranded conductors with a TWIN ferrule	[mm ²]
Direct plug-in connection cross sections	[mm ²]
General data	
Stripping length	[mm]
Insulating material	
Inflammability class according to UL 94	

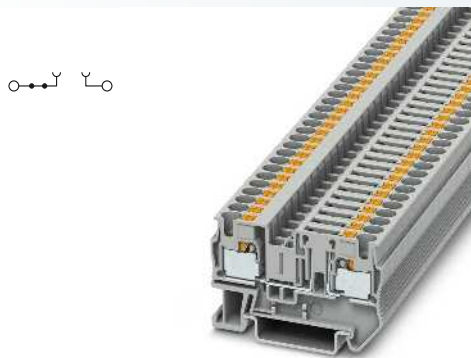
Technical data			
Width	Length	Height NS 35/7,5	
5.2	62	36.5	
I _{max} [A]	U _{max} [V]	max. Ø [mm ²]	AWG
20	400 ⁶⁾	0.14 - 4	26 - 12
IEC 60947-7-1			
IEC	UL/CUL	CSA	IEC/EN 60079-7
400 ⁶⁾	300	300	-
20 / 2.5	20 / -	20 / -	-
2.5	-	-	-
26 - 12	26-12	26-12	-
Connection capacity		Ferrule	
solid	stranded	Without / with plastic sleeve	
0.14 - 4	0.14 - 2.5	0.14 - 2.5	0.14 - 2.5
			0.5
0.34 - 4	-	0.34 - 2.5	0.34 - 2.5
Ordering data			
Type	I _{max}	Order No.	Pcs. / Pkt.
PT 2,5-TG		3210185	50
Accessories			
D-PT 2,5-MT		3211003	50
ISH 2,5/0,2		3002843	50
ISH 2,5/0,5		3002856	50
ISH 2,5/1,0		3002869	50
FBS 2-5	24 A	3030161	50
FBS 3-5	24 A	3030174	50
FBS 4-5	24 A	3030187	50
FBS 5-5	24 A	3030190	50
FBS 10-5	24 A	3030213	10
FBS 20-5	24 A	3030226	10
ATP-ST-TWIN		3030789	50
MPS-MT		0201744	10
MPS-IH RD		0201676	10
PS-5		3030983	10
P-DI		3036783	50
P-FIX		3038956	50
P-CO		3036796	10
P-FU 5X20-5		3209235	10
P-FU 5X20 LED 24-5		3209248	10
P-FU 5X20 LED 60-5		3209251	10
P-FU 5X20 LED 250-5		3209264	10
SZF 1-0,6X3,5		1204517	10
Center groove labeling			
UC-TM 5, UCT-TM 5 or ZB 5 (see Catalog 5)			
Center and lateral groove labeling			
UC-TMF 5, UCT-TMF 5 or ZBF 5 (see Catalog 5)			

Description	No. of pos.	Color
Disconnect terminal block , for mounting on NS 35...		gray

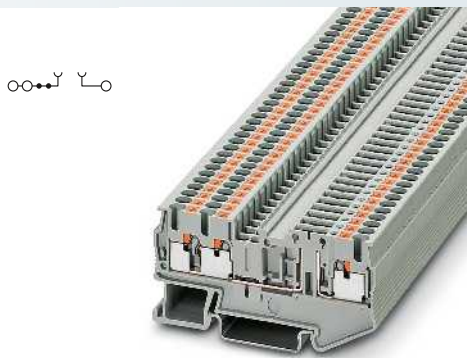
Cover , width 2.2 mm		gray
Insulation stop sleeve , cross section range:		
0.08 - 0.2 mm ²		white
0.25 - 0.5 mm ²		gray
0.75 - 1 mm ²		black
Plug-in bridge		
	2	red
	3	red
	4	red
	5	red
	10	red
	20	red

Reducing bridge ⁷⁾	2	red
Partition plate , 2 mm width		gray
Test plug metal part , 2.3 mm Ø		
Insulating sleeve , for MPS metal part		red
Modular test plug , for the individual assembly of test plug strips		red
Isolating plug ³⁾		orange
Feed-through connector ³⁾		gray
Component plug , labeled with ZBF 5 or UC-TMF 5 ⁴⁾		gray
Fuse plug , width 5.2 mm ²⁾		black
With LED for 12-30 V DC, 0.35-0.95 mA		black
For 30-60 V AC/DC, 0.36-0.95 mA		black
For 110-250 V AC/DC, 0.4-0.95 mA		black
Screwdriver		

Center groove labeling	UC-TM 5, UCT-TM 5 or ZB 5 (see Catalog 5)
Center and lateral groove labeling	UC-TMF 5, UCT-TMF 5 or ZBF 5 (see Catalog 5)



4 (6) mm², 20 A, disconnect terminal block



2.5 (4) mm², 20 A, disconnect terminal block, 3 connections



2.5 (4) mm², 20 A, disconnect terminal block, 4 connections



Technical data			
Width	Length	Height NS 35/7,5	
6.2	56	36.5	
I _{max} [A]	U _{max} [V]	max. Ø [mm ²]	AWG
20 ^{*)}	400 ^{*)}	0.2 - 6	24 - 10
IEC 60947-7-1			
IEC	UL/CUL	CSA	IEC/EN 60079-7
400 ^{*)}	300	300	-
20 ^{*)} / 2.5	20 / -	20 / -	-
4	-	-	-
24 - 10	24-10	26-10	-
solid	stranded	Ferrule	
Without / with plastic sleeve			
0.2 - 6	0.2 - 4	0.25 - 4	0.25 - 4
		0.5 - 1	0.5 - 1
0.5 - 6	-	0.5 - 4	0.5 - 4
12			
PA			
V0			

Technical data			
Width	Length	Height NS 35/7,5	
5.2	74	36.5	
I _{max} [A]	U _{max} [V]	max. Ø [mm ²]	AWG
20 ^{*)}	400 ^{*)}	0.14 - 4	26 - 12
IEC 60947-7-1			
IEC	UL/CUL	CSA	IEC/EN 60079-7
400 ^{*)}	300	300	-
20 ^{*)} / 2.5	20 / -	20 / -	-
2.5	-	-	-
26 - 12	26-12	26-12	-
solid	stranded	Ferrule	
Without / with plastic sleeve			
0.14 - 4	0.14 - 2.5	0.14 - 2.5	0.14 - 2.5
		0.5	0.5
0.34 - 4	-	0.34 - 2.5	0.34 - 2.5
10			
PA			
V0			

Technical data			
Width	Length	Height NS 35/7,5	
5.2	84	36.5	
I _{max} [A]	U _{max} [V]	max. Ø [mm ²]	AWG
20 ^{*)}	400 ^{*)}	0.14 - 4	26 - 12
IEC 60947-7-1			
IEC	UL/CUL	CSA	IEC/EN 60079-7
400 ^{*)}	300	300	-
20 ^{*)} / 2.5	20 / -	20 / -	-
2.5	-	-	-
26 - 12	26-12	26-12	-
solid	stranded	Ferrule	
Without / with plastic sleeve			
0.14 - 4	0.14 - 2.5	0.14 - 2.5	0.14 - 2.5
		0.5	0.5
0.34 - 4	-	0.34 - 2.5	0.34 - 2.5
10			
PA			
V0			

Ordering data			
Type	I _{max}	Order No.	Pcs. / Pkt.
PT 4-TG		3211922	50

Ordering data			
Type	I _{max}	Order No.	Pcs. / Pkt.
PT 2,5-TWIN-TG		3210198	50

Ordering data			
Type	I _{max}	Order No.	Pcs. / Pkt.
PT 2,5-QUATTRO-TG		3210208	50

Accessories			
D-ST 4		3030420	50
ISH 4/0,5		3002885	50
ISH 4/1,0		3002898	50
FBS 2-6	32 A	3030336	50
FBS 3-6	32 A	3030242	50
FBS 4-6	32 A	3030255	50
FBS 5-6	32 A	3030349	50
FBS 10-6	32 A	3030271	10
FBS 20-6	32 A	3030365	10
RB ST (2,5/4)-1,5/S		3214356	10
ATP-ST 4		3030721	50
MPS-MT		0201744	10
MPS-IH RD		0201676	10
PS-6		3030996	10
P-DI		3036783	50
P-FIX		3038956	50
P-CO		3036796	10
P-FU 5X20		3036806	10
P-FU 5X20 LED 24		3036819	10
P-FU 5X20 LED 60		3036822	10
P-FU 5X20 LA 250		3036835	10
SZF 1-0,6X3,5		1204517	10

Accessories			
D-PT 2,5-TWIN-MT		3211317	50
ISH 2,5/0,2		3002843	50
ISH 2,5/0,5		3002856	50
ISH 2,5/1,0		3002869	50
FBS 2-5	24 A	3030161	50
FBS 3-5	24 A	3030174	50
FBS 4-5	24 A	3030187	50
FBS 5-5	24 A	3030190	50
FBS 10-5	24 A	3030213	10
FBS 20-5	24 A	3030226	10
ATP-ST QUATTRO		3030815	50
MPS-MT		0201744	10
MPS-IH RD		0201676	10
PS-5		3030983	10
P-DI		3036783	50
P-FIX		3038956	50
P-CO		3036796	10
P-FU 5X20-5		3209235	10
P-FU 5X20 LED 24-5		3209248	10
P-FU 5X20 LED 60-5		3209251	10
P-FU 5X20 LED 250-5		3209264	10
SZF 1-0,6X3,5		1204517	10

Accessories			
D-ST 2,5-QUATTRO-MT		3038590	50
ISH 2,5/0,2		3002843	50
ISH 2,5/0,5		3002856	50
ISH 2,5/1,0		3002869	50
FBS 2-5	24 A	3030161	50
FBS 3-5	24 A	3030174	50
FBS 4-5	24 A	3030187	50
FBS 5-5	24 A	3030190	50
FBS 10-5	24 A	3030213	10
FBS 20-5	24 A	3030226	10
MPS-MT		0201744	10
MPS-IH RD		0201676	10
PS-5		3030983	10
P-DI		3036783	50
P-FIX		3038956	50
P-CO		3036796	10
P-FU 5X20-5		3209235	10
P-FU 5X20 LED 24-5		3209248	10
P-FU 5X20 LED 60-5		3209251	10
P-FU 5X20 LED 250-5		3209264	10
SZF 1-0,6X3,5		1204517	10

UC-TMF 6, UCT-TMF 6 or ZBF 6 (see Catalog 5)

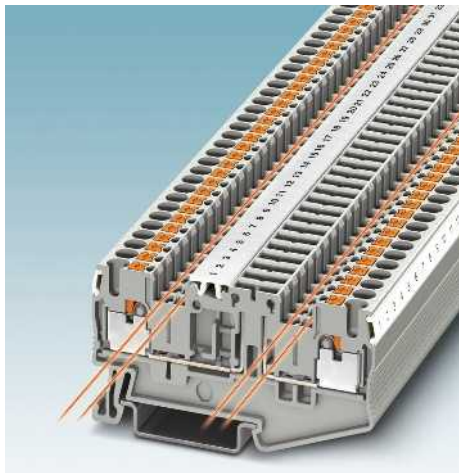
UC-TM 5, UCT-TM 5 or ZB 5 (see Catalog 5)
UC-TMF 5, UCT-TMF 5 or ZBF 5 (see Catalog 5)

UC-TM 5, UCT-TM 5 or ZB 5 (see Catalog 5)
UC-TMF 5, UCT-TMF 5 or ZBF 5 (see Catalog 5)

Modular terminal blocks - CLIPLINE complete

PT push-in connection terminal blocks

Disconnect terminal blocks, for accommodating function plugs, can be bridged four times, PT ...-TGB



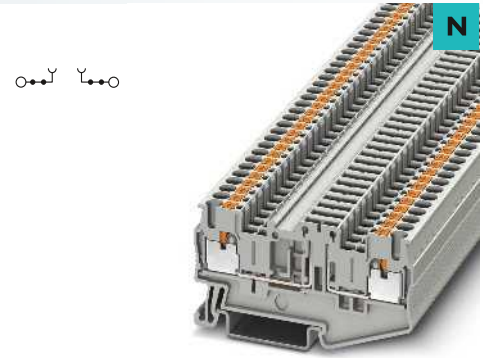
- Disconnect terminal block with universal disconnect zone and a double function shaft on each side of the disconnect zone
- Disconnect zone for accommodating isolating plugs, feed-through connectors, component plugs, and fuse plugs; see page 480
- Testing facility on both sides of the disconnect point

P-FU 5X20-5 fuse plug

- Appropriate for short-circuit and overload protection
- When offset, the fuse plug fits on the disconnect terminal blocks with a 5.2 mm pitch, see figure below



Notes:
For further plug-in bridges, see page 472.
1) The total current of all connected conductors must not exceed the max. load current.
2) If the fuse is faulty, the downstream circuit is not off load.
3) Observe max. load current.
4) Observe max. load current, depending on the power dissipation of the components. Max. 0.5 W with single arrangement.
5) Current and voltage are determined by the plug used.
6) 3-pos. termination block.



2.5 (4) mm², 16 A, disconnect terminal block

Dimensions	[mm]
Max. electrical data	
Rated data	
Rated voltage	[V]
Nominal current / cross section	[A] / [mm ²]
Rated cross section	[mm ²]
Cross section range	AWG
Disconnect level rated data	
Nominal current / cross section	[A] / [mm ²]
Connection capacity	
1 conductor	[mm ²]
Two stranded conductors with a TWIN ferrule	[mm ²]
Direct plug-in connection cross sections	[mm ²]
General data	
Stripping length	[mm]
Insulating material	
Inflammability class according to UL 94	

Technical data			
Width	Length	Height NS 35/7,5	
5.2	70.1	36.8	
I _{max} [A]	U _{max} [V]	max. Ø [mm ²]	AWG
16	400 ⁵⁾	0.14 - 4	26 - 12
IEC 60947-7-1			
IEC	UL/CUL	CSA	IEC/EN 60079-7
400 ⁵⁾	-	-	-
16 / 2.5	- / -	-	-
2.5	-	-	-
26 - 12	-	-	-
IEC	UL/CUL	CSA	IEC/EN 60079-7
-	- / -	-	-
solid		stranded	
		Ferrule	
		Without / with plastic sleeve	
0.14 - 4	0.14 - 2.5	0.14 - 2.5	0.14 - 2.5
			0.5
0.34 - 4	-	0.34 - 2.5	0.34 - 2.5
10			
PA			
V0			

Description	No. of pos.	Color
Terminal block , for mounting on NS 35...		gray gray

Ordering data			
Type	I _{max}	Order No.	Pcs. / Pkt.
PT 2,5-TGB		3210192	50

Cover , width 2.2 mm		gray
Insulation stop sleeve , cross section range:		
0.08 - 0.2 mm ²		white
0.25 - 0.5 mm ²		gray
0.75 - 1 mm ²		black
Plug-in bridge		
	2	red
	3	red
	5	red
	10	red
	20	red

Accessories			
D-PT 2,5-MTB		3210196	50

Test plug metal part , 2.3 mm Ø		
Insulating sleeve , for MPS metal part		red
Modular test plug , for the individual assembly of test plug strips		red
Isolating plug ³⁾		orange
Feed-through connector ³⁾		gray
Component plug , labeled with ZBF 5 or UC-TMF 5 ⁴⁾		gray
Fuse plug , width 5.2 mm ²⁾		black
With LED for 12-30 V DC, 0.35-0.95 mA		black
For 30-60 V AC/DC, 0.36-0.95 mA		black
For 110-250 V AC/DC, 0.4-0.95 mA		black
Screwdriver		

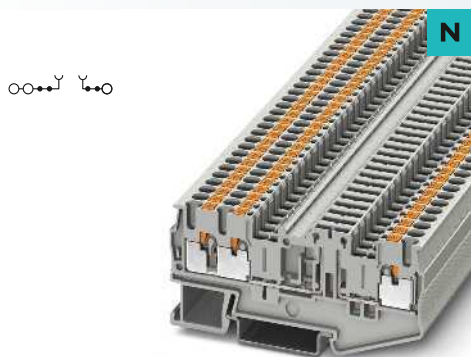
ISH 2,5/0,2		3002843	50
ISH 2,5/0,5		3002856	50
ISH 2,5/1,0		3002869	50
FBS 2-5	24 A	3030161	50
FBS 3-5	24 A	3030174	50
FBS 5-5	24 A	3030190	50
FBS 10-5	24 A	3030213	10
FBS 20-5	24 A	3030226	10
MPS-MT		0201744	10
MPS-IH RD		0201676	10
PS-5		3030983	10

P-DI		3036783	50
P-FIX		3038956	50
P-CO		3036796	10

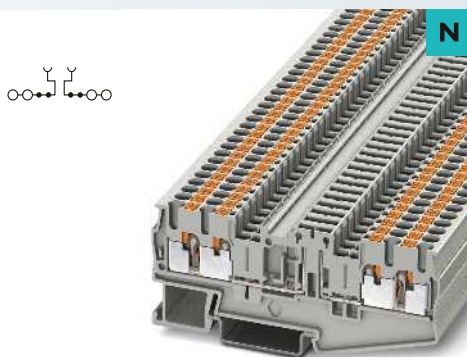
P-FU 5X20-5		3209235	10
P-FU 5X20 LED 24-5		3209248	10

P-FU 5X20 LED 60-5		3209251	10
P-FU 5X20 LED 250-5		3209264	10
SZF 1-0,6X3,5		1204517	10

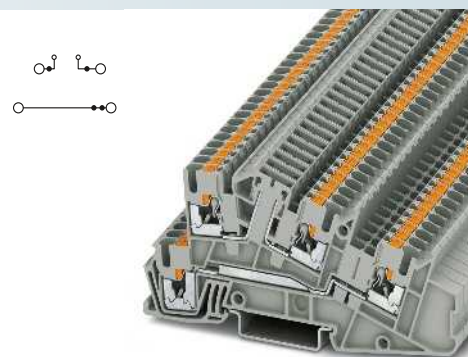
Center groove labeling	UC-TM 5, UCT-TM 5 or ZB 5 (see Catalog 5)
Center and lateral groove labeling	UC-TMF 5, UCT-TMF 5 or ZBF 5 (see Catalog 5)



2.5 (4) mm², 16 A, disconnect terminal block, 3 connections



2.5 (4) mm², 16 A, disconnect terminal block, 4 connections



4 (4) mm², 30 A, three-level terminal block, 1 x L phase conductor, 1 x disconnect zone



Technical data			
Width	Length	Height NS 35/7,5	
5.2	81.9	36.7	
I_{max} [A]	U_{max} [V]	max. \varnothing [mm ²]	AWG
16 ¹⁾	400 ⁵⁾	0.14 - 4	26 - 12
IEC 60947-7-1			
IEC	UL/CUL	CSA	IEC/EN 60079-7
400 ⁵⁾	-	-	-
16 ¹⁾ / 2.5	- / -	-	-
2.5	-	-	-
26 - 12	-	-	-
IEC	UL/CUL	CSA	IEC/EN 60079-7
-	- / -	-	-
solid	stranded	Ferrule	
Without / with plastic sleeve			
0.14 - 4	0.14 - 2.5	0.14 - 2.5	0.14 - 2.5
0.5			
0.34 - 4	-	0.34 - 2.5	0.34 - 2.5
10			
PA			
V0			

Technical data			
Width	Length	Height NS 35/7,5	
5.2	92.2	36.7	
I_{max} [A]	U_{max} [V]	max. \varnothing [mm ²]	AWG
16 ¹⁾	400 ⁵⁾	0.14 - 4	26 - 12
IEC 60947-7-1			
IEC	UL/CUL	CSA	IEC/EN 60079-7
400 ⁵⁾	-	-	-
16 ¹⁾ / 2.5	- / -	-	-
2.5	-	-	-
26 - 12	-	-	-
IEC	UL/CUL	CSA	IEC/EN 60079-7
-	- / -	-	-
solid	stranded	Ferrule	
Without / with plastic sleeve			
0.14 - 4	0.14 - 2.5	0.14 - 2.5	0.14 - 2.5
0.5			
0.34 - 4	-	0.34 - 2.5	0.34 - 2.5
10			
PA			
V0			

Technical data			
Width	Length	Height NS 35/7,5	
5.2	101	50.5	
I_{max} [A]	U_{max} [V]	max. \varnothing [mm ²]	AWG
30 ⁵⁾	400 ⁵⁾	0.14 - 4	26 - 12
IEC			
UL/CUL	CSA	IEC/EN 60079-7	
400 ⁵⁾	300	-	-
24 / 4	20 / -	-	-
4	-	-	-
26 - 12	26-12	-	-
IEC	UL/CUL	CSA	IEC/EN 60079-7
16 / 1.5	20 / -	-	-
solid	stranded	Ferrule	
Without / with plastic sleeve			
0.14 - 4	0.14 - 4	0.14 - 2.5	0.14 - 2.5
0.5			
0.34 - 4	-	0.34 - 2.5	0.34 - 2.5
10			
PA			
V0			

Ordering data			
Type	I_{max}	Order No.	Pcs. / Pkt.
PT 2,5-TWIN-TGB		3210193	50

Ordering data			
Type	I_{max}	Order No.	Pcs. / Pkt.
PT 2,5-QUATTRO-TGB		3210194	50

Ordering data			
Type	I_{max}	Order No.	Pcs. / Pkt.
PTI 2,5-L/TG		3213961	50
PTI 2,5-PE/L/TG		3213960	50

Accessories			
D-PT 2,5-TWIN-MTB		3210202	50
ISH 2,5/0,2		3002843	50
ISH 2,5/0,5		3002856	50
ISH 2,5/1,0		3002869	50
FBS 2-5	24 A	3030161	50
FBS 3-5	24 A	3030174	50
FBS 5-5	24 A	3030190	50
FBS 10-5	24 A	3030213	10
FBS 20-5	24 A	3030226	10
MPS-MT		0201744	10
MPS-IH RD		0201676	10
PS-5		3030983	10
P-DI		3036783	50
P-FIX		3038956	50
P-CO		3036796	10
P-FU 5X20-5		3209235	10
P-FU 5X20 LED 24-5		3209248	10
P-FU 5X20 LED 60-5		3209251	10
P-FU 5X20 LED 250-5		3209264	10
SZF 1-0,6X3,5		1204517	10

Accessories			
D-PT 2,5-QUATTRO-MTB		3210209	50
ISH 2,5/0,2		3002843	50
ISH 2,5/0,5		3002856	50
ISH 2,5/1,0		3002869	50
FBS 2-5	24 A	3030161	50
FBS 3-5	24 A	3030174	50
FBS 5-5	24 A	3030190	50
FBS 10-5	24 A	3030213	10
FBS 20-5	24 A	3030226	10
MPS-MT		0201744	10
MPS-IH RD		0201676	10
PS-5		3030983	10
P-DI		3036783	50
P-FIX		3038956	50
P-CO		3036796	10
P-FU 5X20-5		3209235	10
P-FU 5X20 LED 24-5		3209248	10
P-FU 5X20 LED 60-5		3209251	10
P-FU 5X20 LED 250-5		3209264	10
SZF 1-0,6X3,5		1204517	10

Accessories			
D-PTI/3B		3213976	50
ISH 2,5/0,2		3002843	50
ISH 2,5/0,5		3002856	50
ISH 2,5/1,0		3002869	50
FBS 2-5	24 A	3030161	50
FBS 3-5	24 A	3030174	50
FBS 5-5	24 A	3030190	50
FBS 10-5	24 A	3030213	10
FBS 20-5	24 A	3030226	10
PS-5		3030983	10
P-DI		3036783	50
P-FIX		3038956	50
P-CO		3036796	10
P-FU 5X20-5		3209235	10
P-FU 5X20 LED 24-5		3209248	10
P-FU 5X20 LED 60-5		3209251	10
P-FU 5X20 LED 250-5		3209264	10
SZF 1-0,6X3,5		1204517	10

UC-TM 5, UCT-TM 5 or ZB 5
(see Catalog 5)
UC-TMF 5, UCT-TMF 5 or ZBF 5
(see Catalog 5)

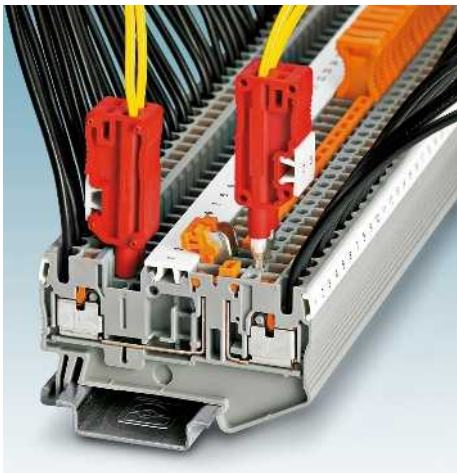
UC-TM 5, UCT-TM 5 or ZB 5
(see Catalog 5)
UC-TMF 5, UCT-TMF 5 or ZBF 5
(see Catalog 5)

UC-TMF 5, UCT-TMF 5 or ZBF 5
(see Catalog 5)

Modular terminal blocks - CLIPLINE complete

PT push-in connection terminal blocks

PT ...-MT knife disconnect terminal blocks

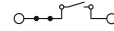


- Knife disconnect terminal block with a current carrying capacity of 20 A
- Seamless and can be double bridged for all tasks in time-saving potential supply and distribution
- Testing facility on both sides of the disconnect point

S-MT switching lock

- The optional switching lock snaps in and effectively prevents accidental switching, see figure below

Notes:
For PT1 2,5...-LTB multi-level knife disconnect terminal blocks, see page 190.
1) The total current of all connected conductors must not exceed the max. load current.
2) The reducing bridge table should be followed, see page 476.
3) Also see page 480.



2.5 (4) mm², 20 A, knife disconnect terminal block



Dimensions	
	[mm]
Max. electrical data	
Rated voltage	[V]
Nominal current / cross section	[A] / [mm ²]
Rated cross section	[mm ²]
Cross section range	AWG
Connection capacity	
1 conductor	[mm ²]
Two stranded conductors with a TWIN ferrule	[mm ²]
Direct plug-in connection cross sections	[mm ²]
General data	
Stripping length	[mm]
Insulating material	
Inflammability class according to UL 94	

Technical data				
Width	Length	Height NS 35/7,5		
5.2	62	36.5		
I _{max} [A]	U _{max} [V]	max. Ø [mm ²]	AWG	
20	400	0.14 - 4	26 - 12	
IEC 60947-7-1				
IEC	UL/CUL	CSA	IEC/EN 60079-7	
400	300	300	-	
20 / 2.5	20 / -	20 / -	-	
2.5	-	-	-	
26 - 12	26-12	26-12	-	
solid		stranded		Ferrule
Without / with plastic sleeve				
0.14 - 4	0.14 - 2.5	0.14 - 2.5	0.14 - 2.5	
		0.5		
0.34 - 4	-	0.34 - 2.5	0.34 - 2.5	
10				
PA				
V0				

Description	No. of pos.	Color
Knife disconnect terminal block, for mounting on NS 35...		gray
		blue

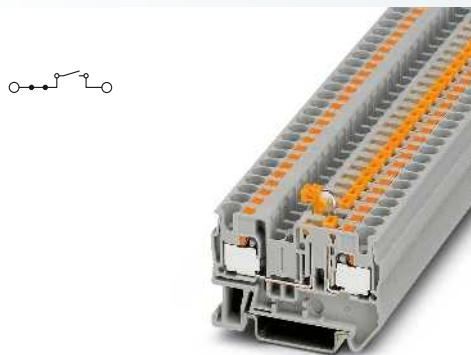
Ordering data			
Type	I _{max}	Order No.	Pcs. / Pkt.
PT 2,5-MT		3210156	50
PT 2,5-MT BU		3211650	50

Cover, width 2.2 mm		gray
End cover segment, for covering multi-conductor terminal blocks when two-conductor terminal blocks are aligned		gray
Insulation stop sleeve, cross section range:		
0.08 - 0.2 mm ²		white
0.25 - 0.5 mm ²		gray
0.75 - 1 mm ²		black
Plug-in bridge		
	2	red
	3	red
	4	red
	5	red
	10	red
	20	red
Reducing bridge ²⁾		
	2	red
Switching lock, plug-in ³⁾		
		white
Partition plate, 2 mm width		gray
Test adapter, 4-mm test socket hole		gray
Test plug metal part, 2.3 mm Ø		
Insulating sleeve, for MPS metal part		red
Modular test plug, for the individual assembly of test plug strips		red

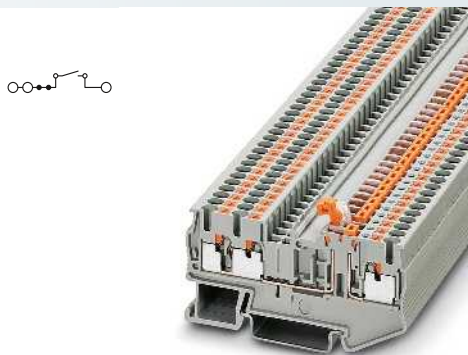
Accessories			
D-PT 2,5-MT		3211003	50
ISH 2,5/0,2			
		3002843	50
ISH 2,5/0,5			
		3002856	50
ISH 2,5/1,0			
		3002869	50
FBS 2-5	24 A	3030161	50
FBS 3-5	24 A	3030174	50
FBS 4-5	24 A	3030187	50
FBS 5-5	24 A	3030190	50
FBS 10-5	24 A	3030213	10
FBS 20-5	24 A	3030226	10
S-MT			
		3247954	50
ATP-ST-TWIN			
		3030789	50
PAI-4-N GY			
		3032871	10
MPS-MT			
		0201744	10
MPS-IH RD			
		0201676	10
PS-5			
		3030983	10
SZF 1-0,6X3,5			
		1204517	10



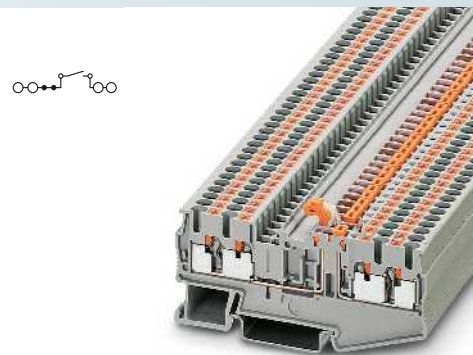
Screwdriver	
Center groove labeling	UC-TM 5, UCT-TM 5 or ZB 5 (see Catalog 5)
Center and lateral groove labeling	UC-TMF 5, UCT-TMF 5 or ZBF 5 (see Catalog 5)



4 (6) mm², 20 A, knife disconnect terminal block



2.5 (4) mm², 20 A, knife disconnect terminal block, 3 connections



2.5 (4) mm², 20 A, knife disconnect terminal block, 4 connections



Technical data			
Width	Length	Height NS 35/7,5	
6.2	56	36.5	
I _{max} [A]	U _{max} [V]	max. Ø [mm ²]	AWG
20	400	0.2 - 6	24 - 10
IEC 60947-7-1			
IEC	UL/CUL	CSA	IEC/EN 60079-7
400	300	300	-
20 / 2.5	20 / -	20 / -	-
4	-	-	-
24 - 10	24-10	26-10	-
solid	stranded	Ferrule Without / with plastic sleeve	
0.2 - 6	0.2 - 4	0.25 - 4	0.25 - 4
0.5 - 6	-	0.5 - 4	0.5 - 4
12	PA	V0	

Technical data			
Width	Length	Height NS 35/7,5	
5.2	74	36.5	
I _{max} [A]	U _{max} [V]	max. Ø [mm ²]	AWG
20 ¹⁾	400	0.14 - 4	26 - 12
IEC 60947-7-1			
IEC	UL/CUL	CSA	IEC/EN 60079-7
400	300	300	-
20 ¹⁾ / 2.5	20 / -	20 / -	-
2.5	-	-	-
26 - 12	26-12	26-12	-
solid	stranded	Ferrule Without / with plastic sleeve	
0.14 - 4	0.14 - 2.5	0.14 - 2.5	0.14 - 2.5
0.34 - 4	-	0.34 - 2.5	0.34 - 2.5
10	PA	V0	

Technical data			
Width	Length	Height NS 35/7,5	
5.2	84	36.5	
I _{max} [A]	U _{max} [V]	max. Ø [mm ²]	AWG
20 ¹⁾	400	0.14 - 4	26 - 12
IEC 60947-7-1			
IEC	UL/CUL	CSA	IEC/EN 60079-7
400	300	300	-
20 ¹⁾ / 2.5	20 / -	20 / -	-
2.5	-	-	-
26 - 12	26-12	26-12	-
solid	stranded	Ferrule Without / with plastic sleeve	
0.14 - 4	0.14 - 2.5	0.14 - 2.5	0.14 - 2.5
0.34 - 4	-	0.34 - 2.5	0.34 - 2.5
10	PA	V0	

Ordering data			
Type	I _{max}	Order No.	Pcs. / Pkt.
PT 4-MT		3211933	50

Ordering data			
Type	I _{max}	Order No.	Pcs. / Pkt.
PT 2,5-TWIN-MT		3210169	50
PT 2,5-TWIN-MT BU		3211663	50

Ordering data			
Type	I _{max}	Order No.	Pcs. / Pkt.
PT 2,5-QUATTRO-MT		3210172	50
PT 2,5-QUATTRO-MT BU		3211676	50

Accessories			
D-ST 4		3030420	50
ISH 4/0,5		3002885	50
ISH 4/1,0		3002898	50
FBS 2-6	32 A	3030336	50
FBS 3-6	32 A	3030242	50
FBS 4-6	32 A	3030255	50
FBS 5-6	32 A	3030349	50
FBS 10-6	32 A	3030271	10
FBS 20-6	32 A	3030365	10
RB ST (2,5/4)-1,5/S		3214356	10
S-MT		3247954	50
ATP-ST 4		3030721	50
PAI-4-N GY		3032871	10
MPS-MT		0201744	10
MPS-IH RD		0201676	10
PS-6		3030996	10
SZF 1-0,6X3,5		1204517	10

Accessories			
D-PT 2,5-TWIN-MT		3211317	50
DS-ST 2,5		3036602	10
ISH 2,5/0,2		3002843	50
ISH 2,5/0,5		3002856	50
ISH 2,5/1,0		3002869	50
FBS 2-5	24 A	3030161	50
FBS 3-5	24 A	3030174	50
FBS 4-5	24 A	3030187	50
FBS 5-5	24 A	3030190	50
FBS 10-5	24 A	3030213	10
FBS 20-5	24 A	3030226	10
S-MT		3247954	50
ATP-ST QUATTRO		3030815	50
PAI-4-N GY		3032871	10
MPS-MT		0201744	10
MPS-IH RD		0201676	10
PS-5		3030983	10
SZF 1-0,6X3,5		1204517	10

Accessories			
D-ST 2,5-QUATTRO-MT		3038590	50
DS-ST 2,5		3036602	10
ISH 2,5/0,2		3002843	50
ISH 2,5/0,5		3002856	50
ISH 2,5/1,0		3002869	50
FBS 2-5	24 A	3030161	50
FBS 3-5	24 A	3030174	50
FBS 4-5	24 A	3030187	50
FBS 5-5	24 A	3030190	50
FBS 10-5	24 A	3030213	10
FBS 20-5	24 A	3030226	10
S-MT		3247954	50
PAI-4-N GY		3032871	10
MPS-MT		0201744	10
MPS-IH RD		0201676	10
PS-5		3030983	10
SZF 1-0,6X3,5		1204517	10

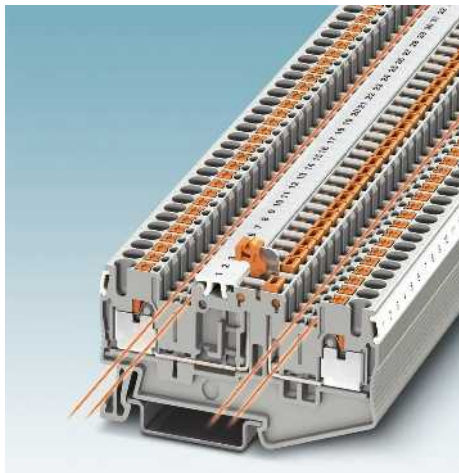
UC-TMF 6, UCT-TMF 6 or ZBF 6
(see Catalog 5)

UC-TM 5, UCT-TM 5 or ZB 5
(see Catalog 5)
UC-TMF 5, UCT-TMF 5 or ZBF 5
(see Catalog 5)

UC-TM 5, UCT-TM 5 or ZB 5
(see Catalog 5)
UC-TMF 5, UCT-TMF 5 or ZBF 5
(see Catalog 5)

PT push-in connection terminal blocks

Knife disconnect terminal blocks, can be bridged four times, PT ...-MTB

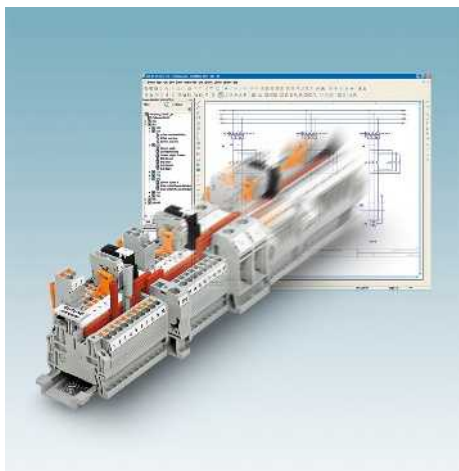


- Knife disconnect terminal block with a double function shaft on each side of the disconnect zone for all tasks involved in time-saving potential infeed and distribution
- Testing facility on both sides of the disconnect point

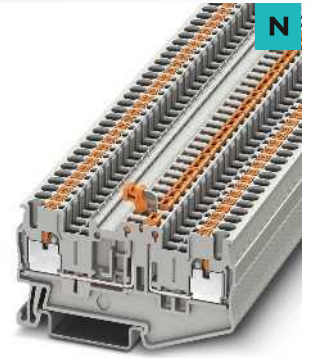
S-MT switching lock

- The optional switching lock snaps in and effectively prevents accidental switching, see figure below

CLIP PROJECT Planning enables the quick and convenient planning and configuration of fault-free terminal strips.



Notes:
1) The total current of all connected conductors must not exceed the max. load current.
2) 3-pos. termination block.
3) Also see page 480.



2.5 (4) mm², 16 A, knife disconnect terminal block

Dimensions	
	[mm]
Max. electrical data	
Rated voltage	[V]
Nominal current / cross section	[A] / [mm ²]
Rated cross section	[mm ²]
Cross section range	AWG
Disconnect level rated data	
Nominal current / cross section	[A] / [mm ²]
Connection capacity	
1 conductor	[mm ²]
Two stranded conductors with a TWIN ferrule	[mm ²]
Direct plug-in connection cross sections	[mm ²]
General data	
Stripping length	[mm]
Insulating material	
Inflammability class according to UL 94	

Technical data				
Width	Length	Height NS 35/7,5		
5.2	70.1	36.7		
I _{max} [A]	U _{max} [V]	max. Ø [mm ²]	AWG	
16	400	0.14 - 4	26 - 12	
IEC 60947-7-1				
IEC	UL/CUL	CSA	IEC/EN 60079-7	
Rated voltage				
400	-	-		
Nominal current / cross section				
16 / 2.5	- / -	-		
Rated cross section				
2.5	-	-		
Cross section range				
26 - 12	-	-		
Disconnect level rated data				
IEC	UL/CUL	CSA	IEC/EN 60079-7	
Nominal current / cross section				
-	- / -	-		
Connection capacity				
solid		stranded		Ferrule
				Without / with plastic sleeve
0.14 - 4	0.14 - 2.5	0.14 - 2.5	0.14 - 2.5	
				0.5
0.34 - 4	-	0.34 - 2.5	0.34 - 2.5	
General data				
Stripping length	[mm]			
10				
PA				
V0				

Description	No. of pos.	Color
Terminal block, for mounting on NS 35...		gray blue gray

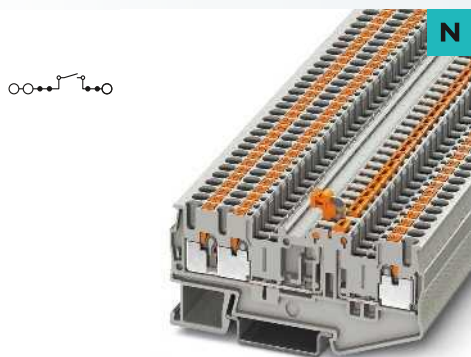
Ordering data			
Type	I _{max}	Order No.	Pcs. / Pkt.
PT 2,5-MTB		3210157	50
PT 2,5-MTB BU		3210163	50

Cover, width 2.2 mm		gray
Insulation stop sleeve, cross section range:		
0.08 - 0.2 mm ²		white
0.25 - 0.5 mm ²		gray
0.75 - 1 mm ²		black
Plug-in bridge		
	2	red
	3	red
	4	red
	5	red
	10	red
	20	red
Switching lock, plug-in ³⁾		
		white
Test adapter, 4-mm test socket hole		
		gray
Test plug metal part, 2.3 mm Ø		
Insulating sleeve, for MPS metal part		
		red
Modular test plug, for the individual assembly of test plug strips		
		red
Screwdriver		

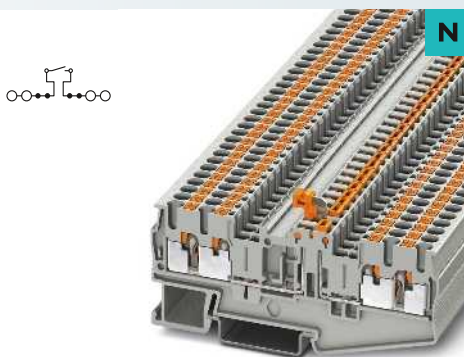
Accessories		
D-PT 2,5-MTB		
	3210196	50
ISH 2,5/0,2	3002843	50
ISH 2,5/0,5	3002856	50
ISH 2,5/1,0	3002869	50
FBS 2-5	24 A	3030161
FBS 3-5	24 A	3030174
FBS 4-5	24 A	3030187
FBS 5-5	24 A	3030190
FBS 10-5	24 A	3030213
FBS 20-5	24 A	3030226
S-MT		3247954
PAI-4-N GY		3032871
MPS-MT		0201744
MPS-IH RD		0201676
PS-5		3030983
SZF 1-0,6X3,5		1204517

Center groove labeling
Center and lateral groove labeling

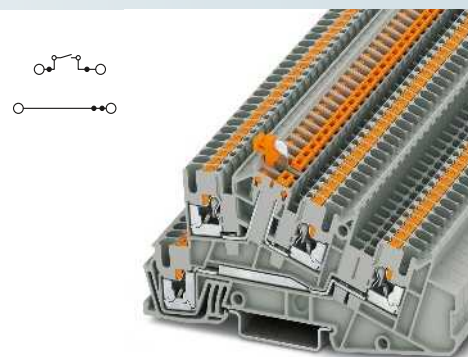
UC-TM 5, UCT-TM 5 or ZB 5 (see Catalog 5)
UC-TMF 5, UCT-TMF 5 or ZBF 5 (see Catalog 5)



2.5 (4) mm², 16 A, knife disconnect terminal block, 3 connections



2.5 (4) mm², 16 A, knife disconnect terminal block, 4 connections



4 (4) mm², 30 A, three-level terminal block, 1 x L phase conductor, 1 x L phase conductor can be disconnected



Technical data			
Width	Length	Height NS 35/7,5	
5.2	81.9	36.7	
I_{max} [A]	U_{max} [V]	max. Ø [mm ²]	AWG
16 ¹⁾	400	0.14 - 4	26 - 12
IEC 60947-7-1			
IEC	UL/CUL	CSA	IEC/EN 60079-7
400	-	-	-
16 ¹⁾ / 2.5	- / -	-	-
2.5	-	-	-
26 - 12	-	-	-
IEC	UL/CUL	CSA	IEC/EN 60079-7
-	- / -	-	-
solid	stranded	Ferrule	
Without / with plastic sleeve			
0.14 - 4	0.14 - 2.5	0.14 - 2.5	0.14 - 2.5
0.5			
0.34 - 4	-	0.34 - 2.5	0.34 - 2.5
10			
PA			
V0			

Technical data			
Width	Length	Height NS 35/7,5	
5.2	92.2	36.7	
I_{max} [A]	U_{max} [V]	max. Ø [mm ²]	AWG
16 ¹⁾	400	0.14 - 4	26 - 12
IEC 60947-7-1			
IEC	UL/CUL	CSA	IEC/EN 60079-7
400	-	-	-
16 ¹⁾ / 2.5	- / -	-	-
2.5	-	-	-
26 - 12	-	-	-
IEC	UL/CUL	CSA	IEC/EN 60079-7
-	- / -	-	-
solid	stranded	Ferrule	
Without / with plastic sleeve			
0.14 - 4	0.14 - 2.5	0.14 - 2.5	0.14 - 2.5
0.5			
0.34 - 4	-	0.34 - 2.5	0.34 - 2.5
10			
PA			
V0			

Technical data			
Width	Length	Height NS 35/7,5	
5.2	101	50.5	
I_{max} [A]	U_{max} [V]	max. Ø [mm ²]	AWG
30 ²⁾	400	0.14 - 4	26 - 12
IEC			
IEC	UL/CUL	CSA	IEC/EN 60079-7
400	300	-	-
24 / 4	20 / -	-	-
4	-	-	-
26 - 12	26-12	-	-
IEC	UL/CUL	CSA	IEC/EN 60079-7
16 / 1.5	20 / -	-	-
solid	stranded	Ferrule	
Without / with plastic sleeve			
0.14 - 4	0.14 - 4	0.14 - 2.5	0.14 - 2.5
0.5			
0.34 - 4	-	0.34 - 2.5	0.34 - 2.5
10			
PA			
V0			

Ordering data			
Type	I_{max}	Order No.	Pcs. / Pkt.
PT 2,5-TWIN-MTB		3210170	50
PT 2,5-TWIN-MTB BU		3210177	50

Ordering data			
Type	I_{max}	Order No.	Pcs. / Pkt.
PT 2,5-QUATTRO-MTB		3210184	50
PT 2,5-QUATTRO-MTB BU		3210191	50

Ordering data			
Type	I_{max}	Order No.	Pcs. / Pkt.
PTI 2,5-L/LTB		3213958	50
PTI 2,5-PE/L/LTB		3213957	50

Accessories			
D-PT 2,5-TWIN-MTB	3210202	50	
ISH 2,5/0,2	3002843	50	
ISH 2,5/0,5	3002856	50	
ISH 2,5/1,0	3002869	50	
FBS 2-5	24 A 3030161	50	
FBS 3-5	24 A 3030174	50	
FBS 4-5	24 A 3030187	50	
FBS 5-5	24 A 3030190	50	
FBS 10-5	24 A 3030213	10	
FBS 20-5	24 A 3030226	10	
S-MT	3247954	50	
PAI-4-N GY	3032871	10	
MPS-MT	0201744	10	
MPS-IH RD	0201676	10	
PS-5	3030983	10	
SZF 1-0,6X3,5	1204517	10	

Accessories			
D-PT 2,5-QUATTRO-MTB	3210209	50	
ISH 2,5/0,2	3002843	50	
ISH 2,5/0,5	3002856	50	
ISH 2,5/1,0	3002869	50	
FBS 2-5	24 A 3030161	50	
FBS 3-5	24 A 3030174	50	
FBS 4-5	24 A 3030187	50	
FBS 5-5	24 A 3030190	50	
FBS 10-5	24 A 3030213	10	
FBS 20-5	24 A 3030226	10	
S-MT	3247954	50	
PAI-4-N GY	3032871	10	
MPS-MT	0201744	10	
MPS-IH RD	0201676	10	
PS-5	3030983	10	
SZF 1-0,6X3,5	1204517	10	

Accessories			
D-PTI/3B	3213976	50	
FBS 2-5	24 A 3030161	50	
FBS 3-5	24 A 3030174	50	
FBS 4-5	24 A 3030187	50	
FBS 5-5	24 A 3030190	50	
FBS 10-5	24 A 3030213	10	
FBS 20-5	24 A 3030226	10	
S-MT	3247954	50	
PAI-4-N GY	3032871	10	
MPS-MT	0201744	10	
MPS-IH RD	0201676	10	
PS-5	3030983	10	
SZF 1-0,6X3,5	1204517	10	

UC-TM 5, UCT-TM 5 or ZB 5
(see Catalog 5)
UC-TMF 5, UCT-TMF 5 or ZBF 5
(see Catalog 5)

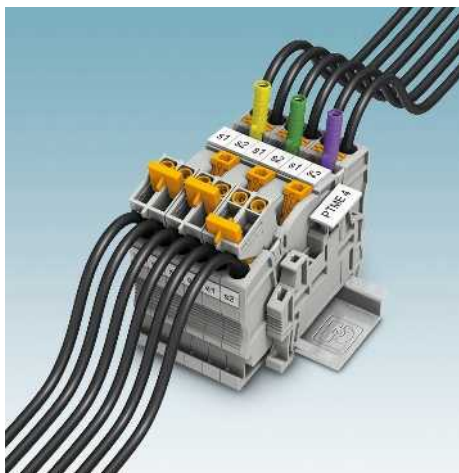
UC-TM 5, UCT-TM 5 or ZB 5
(see Catalog 5)
UC-TMF 5, UCT-TMF 5 or ZBF 5
(see Catalog 5)

UC-TM 5, UCT-TM 5 or ZB 5
(see Catalog 5)
UC-TMF 5, UCT-TMF 5 or ZBF 5
(see Catalog 5)

Modular terminal blocks - CLIPLINE complete

PT push-in connection terminal blocks

PTME 4 test disconnect terminal blocks

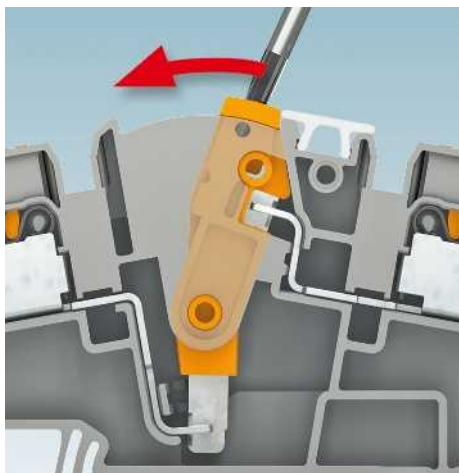


The PTME 4 test disconnect terminal blocks with push-in technology are characterized by:

- Compact design
- Easy operation
- Clear arrangement
- Flexible and comprehensive accessories
- Feed-through and ground terminal blocks of the same shape are available



- Current transformer measuring circuit can be created using just two PTME 4
 - Less space required compared to creating circuits with slide-type terminal blocks
- ① FBS... plug-in bridge for cross connection
 - ② 4 mm Ø PAI-4-FIX... test plug adapter
 - ③ S-ME 4 switching lock
 - ④ SB-ME... switching jumper
 - ⑤ C-ME 4/2 connection bridge



- Reliable contacting and latching of the longitudinal isolating switch in the relevant switching state
- Clear selection thanks to printed switching symbols
- Unintentional switching prevented by means of optional switching lock
- Simultaneous actuation of two switches using connection bridge



- SB-ME ... switching jumpers can be positioned and latched on both sides of the disconnect point in the bridge shaft
- Reliably snapped into the end positions
- Contact made via screw terminal points

Notes:

For current carrying capacity of DIN rails, see page 716.

For corresponding AP-ME and AH-ME terminal strip covers, see Catalog 5.

Dimensions

[mm]

Max. electrical data

Rated data

Rated voltage	[V]
Nominal current / cross section	[A] / [mm ²]
Rated cross section	[mm ²]
Cross section range	AWG

Connection capacity

1 conductor	[mm ²]
Two stranded conductors with a TWIN ferrule	[mm ²]
Direct plug-in connection cross sections	[mm ²]

General data

Stripping length	[mm]
Insulating material	
Inflammability class according to UL 94	

Description	No. of pos.	Color
Test disconnect terminal block , for mounting on NS 35		gray
Feed-through terminal block , for mounting on NS 35...		gray
Ground terminal block , for mounting on NS 35...		green-yellow

Cover, width 2.2 mm gray

Switching jumper, plug-in	No. of pos.	Color
	2	gray/orange
	3	gray/orange
	4	gray/orange

Plug-in bridge	No. of pos.	Color
	2	red
	3	red
	4	red
	5	red
	10	red
	20	red

Switching lock, plug-in white

Connection bridge, for connecting two test disconnect terminal blocks orange

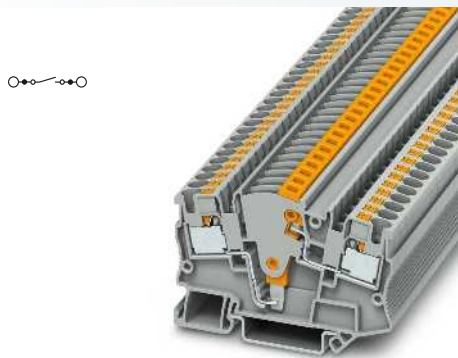
Test adapter, for 4 mm Ø safety test plugs, latches into the bridge shaft orange

	blue
	red
	yellow
	green
	violet
	black
	brown
	gray

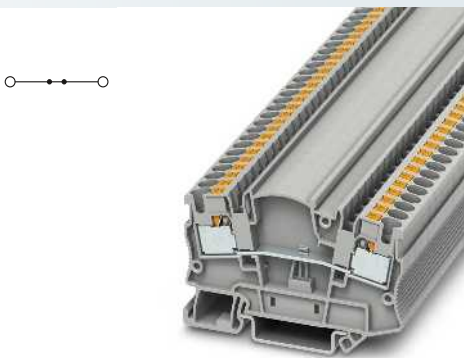
Screwdriver

Center groove labeling

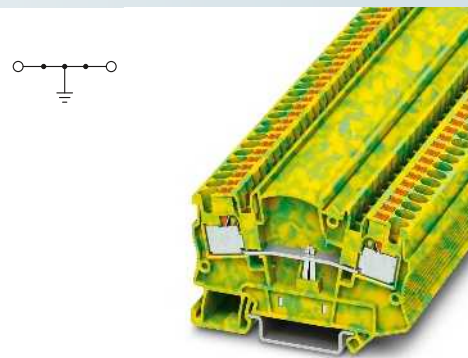
Center and lateral groove labeling



4 (6) mm², 24 A, test disconnect terminal block



4 (6) mm², 32 A, feed-through terminal block, same shape



4 (6) mm², ground terminal block, same shape



Technical data			
Width	Length	Height NS 35/7,5	
6.2	70.5	49.5	
I_{max} [A]	U_{max} [V]	max. \varnothing [mm ²]	AWG
24	500	0.2 - 6	24 - 10
IEC 60947-7-1			
IEC	UL/CUL	CSA	IEC/EN 60079-7
500	300	300	-
24 / 4	26 / -	26 / -	-
4	-	-	-
24 - 10	24-10	24-10	-
solid	stranded	Ferrule Without / with plastic sleeve	
0.2 - 6	0.2 - 4	0.25 - 4	0.25 - 4 0.5 - 1
0.5 - 6	-	0.5 - 4	0.5 - 4
12	PA	V0	

Technical data			
Width	Length	Height NS 35/7,5	
6.2	70.5	49.5	
I_{max} [A]	U_{max} [V]	max. \varnothing [mm ²]	AWG
32	500	0.2 - 6	24 - 10
IEC 60947-7-1			
IEC	UL/CUL	CSA	IEC/EN 60079-7
500	300	300	-
32 / 4	26 / -	26 / -	-
4	-	-	-
24 - 10	24-10	24-10	-
solid	stranded	Ferrule Without / with plastic sleeve	
0.2 - 6	0.2 - 4	0.25 - 4	0.25 - 4 0.5 - 1
0.5 - 6	-	0.5 - 4	0.5 - 4
12	PA	V0	

Technical data			
Width	Length	Height NS 35/7,5	
6.2	70.5	49.5	
		max. \varnothing [mm ²]	AWG
		0.2 - 6	24 - 10
IEC 60947-7-2			
IEC	UL/CUL	CSA	IEC/EN 60079-7
-	-	-	-
-	- / -	-	-
4	-	-	-
24 - 10	24-10	24-10	-
solid	stranded	Ferrule Without / with plastic sleeve	
0.2 - 6	0.2 - 4	0.25 - 4	0.25 - 4 0.5 - 1
0.5 - 6	-	0.5 - 4	0.5 - 4
12	PA	V0	

Ordering data			
Type	I_{max}	Order No.	Pcs. / Pkt.
PTME 4		3212139	50

Ordering data			
Type	I_{max}	Order No.	Pcs. / Pkt.
PTMED 4		3212141	50

Ordering data			
Type	Order No.	Pcs. / Pkt.	
PTMED 4-PE	3212154	50	

Accessories			
D-PTME 4		3212167	10
SB-ME 2-6	25 A	3035755	10
SB-ME 3-6	25 A	3035756	10
SB-ME 4-6	25 A	3035757	10
FBS 2-6	32 A	3030336	50
FBS 3-6	32 A	3030242	50
FBS 4-6	32 A	3030255	50
FBS 5-6	32 A	3030349	50
FBS 10-6	32 A	3030271	10
FBS 20-6	32 A	3030365	10
S-ME 4		3035758	10
C-ME 4/2		3035759	10
C-ME 4/3		3035760	10
PAI-4-FIX-5/6 OG		3035974	10
PAI-4-FIX-5/6 BU		3035975	10
PAI-4-FIX-5/6 RD		3035976	10
PAI-4-FIX-5/6 YE		3035977	10
PAI-4-FIX-5/6 GN		3035978	10
PAI-4-FIX-5/6 VT		3035979	10
PAI-4-FIX-5/6 BK		3035980	10
PAI-4-FIX-5/6 BN		3035981	10
PAI-4-FIX-5/6 GY		3035982	10
SZF 1-0,6X3,5		1204517	10

Accessories			
D-PTME 4		3212167	10
SB-ME 2-6	25 A	3035755	10
SB-ME 3-6	25 A	3035756	10
SB-ME 4-6	25 A	3035757	10
FBS 2-6	32 A	3030336	50
FBS 3-6	32 A	3030242	50
FBS 4-6	32 A	3030255	50
FBS 5-6	32 A	3030349	50
FBS 10-6	32 A	3030271	10
FBS 20-6	32 A	3030365	10
PAI-4-FIX-5/6 OG		3035974	10
PAI-4-FIX-5/6 BU		3035975	10
PAI-4-FIX-5/6 RD		3035976	10
PAI-4-FIX-5/6 YE		3035977	10
PAI-4-FIX-5/6 GN		3035978	10
PAI-4-FIX-5/6 VT		3035979	10
PAI-4-FIX-5/6 BK		3035980	10
PAI-4-FIX-5/6 BN		3035981	10
PAI-4-FIX-5/6 GY		3035982	10
SZF 1-0,6X3,5		1204517	10

Accessories			
FBS 2-6		3030336	50
FBS 3-6		3030242	50
FBS 4-6		3030255	50
FBS 5-6		3030349	50
FBS 10-6		3030271	10
FBS 20-6		3030365	10
PAI-4-FIX-5/6 OG		3035974	10
PAI-4-FIX-5/6 BU		3035975	10
PAI-4-FIX-5/6 RD		3035976	10
PAI-4-FIX-5/6 YE		3035977	10
PAI-4-FIX-5/6 GN		3035978	10
PAI-4-FIX-5/6 VT		3035979	10
PAI-4-FIX-5/6 BK		3035980	10
PAI-4-FIX-5/6 BN		3035981	10
PAI-4-FIX-5/6 GY		3035982	10
SZF 1-0,6X3,5		1204517	10

UC-TM 6, UCT-TM 6 or ZB 6
(see Catalog 5)
UC-TMF 6, UCT-TMF 6 or ZBF 6
(see Catalog 5)

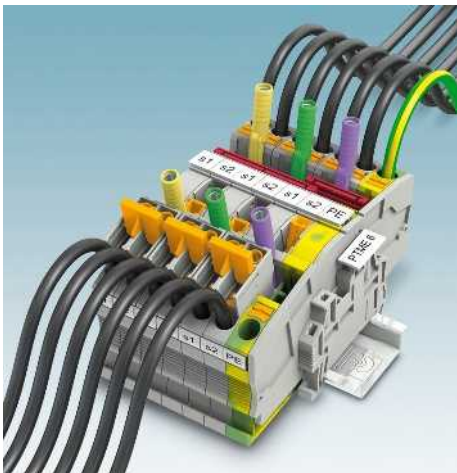
UC-TM 6, UCT-TM 6 or ZB 6
(see Catalog 5)
UC-TMF 6, UCT-TMF 6 or ZBF 6
(see Catalog 5)

UC-TM 6, UCT-TM 6 or ZB 6
(see Catalog 5)
UC-TMF 6, UCT-TMF 6 or ZBF 6
(see Catalog 5)

Modular terminal blocks - CLIPLINE complete

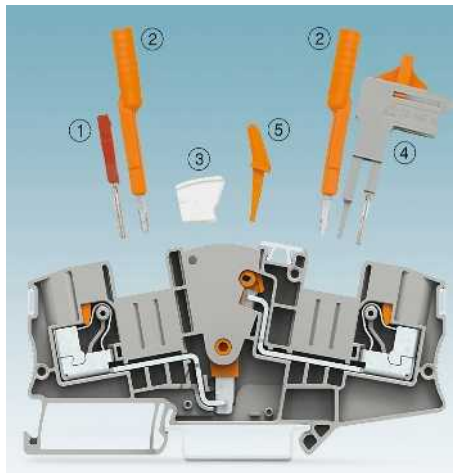
PT push-in connection terminal blocks

PTME 6 test disconnect terminal blocks

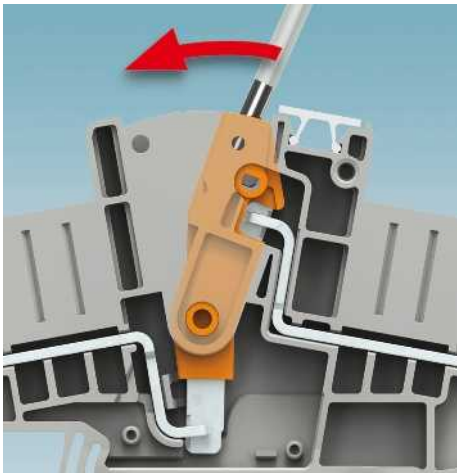


The new PTME 6 test disconnect terminal blocks with push-in technology are characterized by:

- Compact design
- Easy operation
- Clear arrangement
- Six function shafts
- Flexible and comprehensive accessories
- Feed-through terminal block of the same shape available



- Current transformer measuring circuit can be created using just two PTME 6
- Less space required compared to creating circuits with slide-type terminal blocks
- ① FBS... plug-in bridge for cross connection
- ② 4 mm Ø PAI-4-FIX... test plug adapter
- ③ S-ME 6 switching lock
- ④ SB-ME... switching jumper
- ⑤ C-ME 6/2 connection bridge



- Reliable contacting and latching of the longitudinal isolating switch in the relevant switching state
- Clear selection thanks to printed switching symbols
- Unintentional switching prevented by means of optional switching lock
- Simultaneous actuation of two switches using connection bridge



- SB-ME ... switching jumpers can be positioned and latched on both sides of the disconnect point in the bridge shaft
- Reliably snapped into the end positions
- Contact made via screw terminal points

Notes:	
For current carrying capacity of DIN rails, see page 716.	
For further test adapters, see page 479.	
For further plug-in bridges, see page 472.	
For COMBI plug-in test disconnect terminal blocks, see page 373.	
For corresponding AP-ME and AH-ME terminal strip covers, see Catalog 5.	

Dimensions		[mm]
Max. electrical data		
Rated data		
Rated voltage		[V]
Nominal current / cross section		[A] / [mm ²]
Rated cross section		[mm ²]
Cross section range		AWG
Connection capacity		
1 conductor		[mm ²]
Two stranded conductors with a TWIN ferrule		[mm ²]
Direct plug-in connection cross sections		[mm ²]
General data		
Stripping length		[mm]
Insulating material		
Inflammability class according to UL 94		

Description	No. of pos.	Color
Test disconnect terminal block , for mounting on NS 35		gray
Feed-through terminal block , for mounting on NS 35...		gray
Ground terminal block , for mounting on NS 35...		green-yellow

Cover , width 2,2 mm		gray
Switching jumper , plug-in		
	2	gray/orange
	3	gray/orange
	4	gray/orange

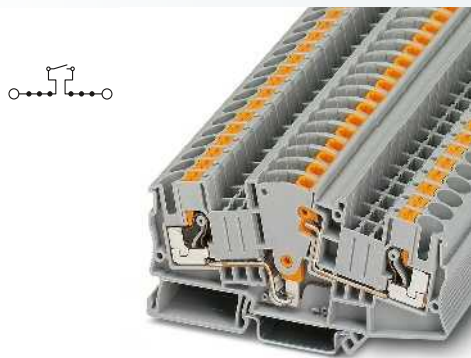
Plug-in bridge		
	2	red
	5	red
	10	red

Pre-assembled bridge , labeled		
3-pos., positions 1, 3	2	red
4-pos., positions 1, 4	2	red
5-pos., positions 1, 3, 5	3	red
10-pos. positions 1, 4, 7, 10	4	red

Switching lock , plug-in		white
Connection bridge , for connecting two test disconnect terminal blocks		orange
3-pos.		orange
Test adapter , for 4-mm-Ø safety test plug, snapped into bridge shaft		orange

		yellow
		green
		violet
Partition plate , with storage option for switching jumpers		gray

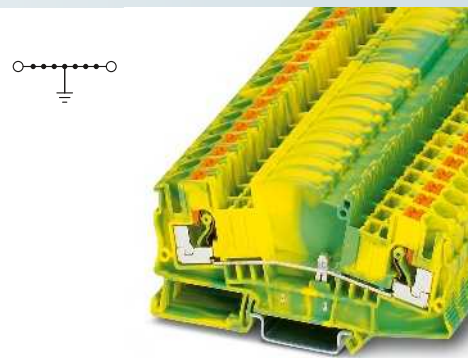
Screwdriver		
Center groove labeling		
Center and lateral groove labeling		



6 (10) mm², 30 A, test disconnect terminal block



6 (10) mm², 41 A, feed-through terminal block, same shape



6 (10) mm², ground terminal block, same shape



Technical data				
Width	Length	Height NS 35/7,5		
8.2	100.8	49.6		
I_{max} [A]	U_{max} [V]	max. Ø [mm ²]	AWG	
30	500	0.5 - 10	20 - 8	
IEC 60947-7-1				
IEC	UL/CUL	CSA	IEC/EN 60079-7	
500	600	600	-	
30/6	30/-	30/-	-	
6	-	-	-	
20-8	20-8	20-8	-	
solid	stranded	Ferrule		
Without / with plastic sleeve				
0.5 - 10	0.5 - 6	0.5 - 6	0.5 - 6	0.5 - 1.5
1 - 10	-	1 - 6	1 - 6	
12				
PA				
V0				

Technical data				
Width	Length	Height NS 35/7,5		
8.2	100.8	49.6		
I_{max} [A]	U_{max} [V]	max. Ø [mm ²]	AWG	
41	500	0.5 - 10	20 - 8	
IEC 60947-7-1				
IEC	UL/CUL	CSA	IEC/EN 60079-7	
500	600	600	-	
41/6	30/-	30/-	-	
6	-	-	-	
20-8	20-8	20-8	-	
solid	stranded	Ferrule		
Without / with plastic sleeve				
0.5 - 10	0.5 - 6	0.5 - 6	0.5 - 6	0.5 - 1.5
1 - 10	-	1 - 6	1 - 6	
12				
PA				
V0				

Technical data				
Width	Length	Height NS 35/7,5		
8.2	100.8	49.6		
I_{max} [A]	U_{max} [V]	max. Ø [mm ²]	AWG	
-	-	0.5 - 10	20 - 8	
IEC 60947-7-2				
IEC	UL/CUL	CSA	IEC/EN 60079-7	
-	-	-	-	
-	-/-	-	-	
6	-	-	-	
20-8	20-8	20-8	-	
solid	stranded	Ferrule		
Without / with plastic sleeve				
0.5 - 10	0.5 - 6	0.5 - 6	0.5 - 6	0.5 - 1.5
1 - 10	-	1 - 6	1 - 6	
12				
PA				
V0				

Ordering data			
Type	I_{max}	Order No.	Pcs. / Pkt.
PTME 6		3212170	50

Ordering data			
Type	I_{max}	Order No.	Pcs. / Pkt.
PTMED 6		3212183	50

Ordering data			
Type		Order No.	Pcs. / Pkt.
PTMED 6-PE		3212196	50

Accessories			
D-DTME 6		3034426	10
SB-ME 2-8	30 A	3034468	10
SB-ME 3-8	30 A	3032800	10
SB-ME 4-8	30 A	3034484	10
FBS 2-8	41 A	3030284	10
FBS 5-8	41 A	3030310	10
FBS 10-8	41 A	3030323	10
FBS 1/3-8	41 A	3032363	10
FBS 1/4-8	41 A	3032376	10
FBS 1/3/5-8	41 A	3032389	10
FBS 1/4/7/10-8	41 A	3032402	10
S-ME 6		3034439	10
C-ME 6/2		3034442	10
C-ME 6/3		3034390	50
PAI-4-FIX OG		3034455	10
PAI-4-FIX YE		3032745	10
PAI-4-FIX GN		3032758	10
PAI-4-FIX VT		3032761	10
CARRIER 35-8		3034387	10
SZF 2-0,8X4,0		1204520	10

Accessories			
D-DTME 6		3034426	10
SB-ME 2-8	30 A	3034468	10
SB-ME 3-8	30 A	3032800	10
SB-ME 4-8	30 A	3034484	10
FBS 2-8	41 A	3030284	10
FBS 5-8	41 A	3030310	10
FBS 10-8	41 A	3030323	10
FBS 1/3-8	41 A	3032363	10
FBS 1/4-8	41 A	3032376	10
FBS 1/3/5-8	41 A	3032389	10
FBS 1/4/7/10-8	41 A	3032402	10
PAI-4-FIX OG		3034455	10
PAI-4-FIX YE		3032745	10
PAI-4-FIX GN		3032758	10
PAI-4-FIX VT		3032761	10
CARRIER 35-8		3034387	10
SZF 2-0,8X4,0		1204520	10

Accessories			
D-DTME 6		3034426	10
FBS 2-8		3030284	10
FBS 5-8		3030310	10
FBS 10-8		3030323	10
FBS 1/3-8		3032363	10
FBS 1/4-8		3032376	10
FBS 1/3/5-8		3032389	10
FBS 1/4/7/10-8		3032402	10
PAI-4-FIX OG		3034455	10
PAI-4-FIX YE		3032745	10
PAI-4-FIX GN		3032758	10
PAI-4-FIX VT		3032761	10
CARRIER 35-8		3034387	10
SZF 2-0,8X4,0		1204520	10

UC-TM 8, UCT-TM 8 or ZB 8
(see Catalog 5)
UC-TMF 8, UCT-TMF 8 or ZBF 8
(see Catalog 5)

UC-TM 8, UCT-TM 8 or ZB 8
(see Catalog 5)
UC-TMF 8, UCT-TMF 8 or ZBF 8
(see Catalog 5)

UC-TM 8, UCT-TM 8 or ZB 8
(see Catalog 5)
UC-TMF 8, UCT-TMF 8 or ZBF 8
(see Catalog 5)

Modular terminal blocks - CLIPLINE complete

PT push-in connection terminal blocks

1000 V, PTME 6...HV disconnect and diode terminal blocks for photovoltaics

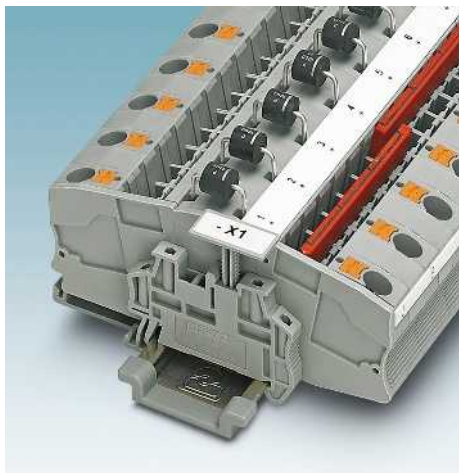


The new disconnect and diode terminal blocks were designed especially for applications in solar technology and are characterized by:

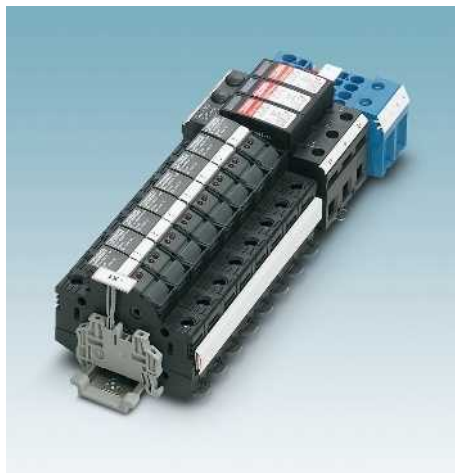
- A dielectric strength of up to 1000 V DC
- Continuous function shafts allow the individual PV lines to be easily grouped using plug-in bridges



- Connection of standard solar cables up to 6 mm² and with 7.5 mm outside diameter



- A space-saving design of the same shape for compact generator switching boxes
- The DP-STMED 6 spacer plate provides sufficient space between two neighboring diode terminal blocks, see figure below



- Fuse terminal blocks up to 1500 V are available for protecting monocrystalline and polycrystalline PV lines, see page 538

Notes:

If several diode terminal blocks need adding to the DIN rail, a spacer plate must be placed between them.

Covers should ensure that the parts are not touched.

For corresponding AP-ME and AH-ME terminal strip covers, see Catalog 5.

For further test adapters, see page 479.

For further plug-in bridges, see page 472.

For further fuse terminal blocks, see page 534.

¹⁾ If the diode is loaded with 5 A, the surface temperature reaches 140°C.

²⁾ 1000 V reverse voltage.

Dimensions

[mm]

Max. electrical data

Rated data

Rated voltage [V]

Nominal current / cross section [A] / [mm²]

Rated cross section [mm²]

Cross section range AWG

Connection capacity

1 conductor [mm²]

Two stranded conductors with a TWIN ferrule [mm²]

Direct plug-in connection cross sections [mm²]

General data

Stripping length [mm]

Insulating material

Inflammability class according to UL 94

Description	No. of pos.	Color
Terminal block , for mounting on NS 35...		gray blue
Spacer plate		gray
Terminal block , with integrated diode, conducting from left to right		gray
Terminal block , with integrated diode, conducting from right to left		gray
Terminal block , for soldering in a component		gray

Cover, width 2.2 mm gray

Switching jumper, plug-in	No. of pos.	Color
	2	gray/orange
	3	gray/orange
	4	gray/orange

Plug-in bridge	No. of pos.	Color
	2	red
	5	red
	6	red
	10	red

Switching lock, plug-in white

Connection bridge, for connecting two test disconnect terminal blocks orange

3-pos. orange

Test adapter, for 4-mm-Ø safety test plug, snapped into bridge shaft orange

yellow

green

violet

black

blue

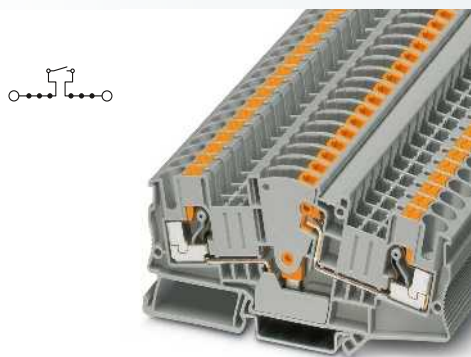
gray

Partition plate, with storage option for switching jumpers

Screwdriver

Center groove labeling

Center and lateral groove labeling



6 (10) mm², 30 A, 1000 V, disconnect terminal block



Technical data			
Width	Length	Height NS 35/7,5	
8.2	100.8	49.6	
I_{max} [A]	U_{max} [V]	max. Ø [mm ²]	AWG
30	1000	0.5 - 10	20 - 8
IEC 60947-7-1			
IEC	UL/CUL	CSA	IEC/EN 60079-7
1000	600	-	-
30 / 6	30 / -	-	-
6	-	-	-
20 - 8	20-8	-	-
solid	stranded	Ferrule Without / with plastic sleeve	
0.5 - 10	0.5 - 6	0.5 - 6	0.5 - 6 0.5 - 1.5
1 - 10	-	1 - 6	1 - 6
12	PA	V0	

Ordering data			
Type	I_{max}	Order No.	Pcs. / Pkt.
PTME 6 HV		3035696	50
PTME 6 HV BU		3035695	50

Accessories			
D-DTME 6		3034426	10
SB-ME 2-8	30 A	3034468	10
SB-ME 3-8	30 A	3032800	10
SB-ME 4-8	30 A	3034484	10
FBS 2-8	41 A	3030284	10
FBS 5-8	41 A	3030310	10
FBS 6-8	41 A	3032470	10
FBS 10-8	41 A	3030323	10
S-ME 6		3034439	10
C-ME 6/2		3034442	10
C-ME 6/3		3034390	50
PAI-4-FIX OG		3034455	10
PAI-4-FIX YE		3032745	10
PAI-4-FIX GN		3032758	10
PAI-4-FIX VT		3032761	10
PAI-4-FIX BK		3032774	10
PAI-4-FIX BU		3032729	10
CARRIER 35-8		3034387	10
SZF 2-0,8X4,0		1204520	10

UC-TM 8, UCT-TM 8 or ZB 8
(see Catalog 5)
UC-TMF 8, UCT-TMF 8 or ZBF 8
(see Catalog 5)



Spacer plate, same shape

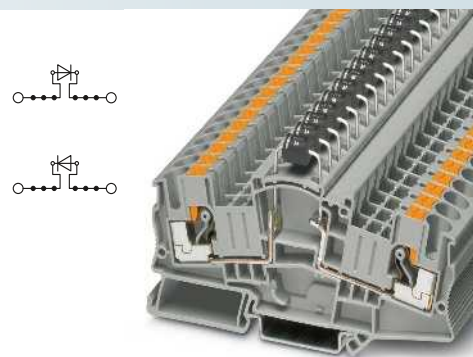


Technical data			
Width	Length	Height NS 35/7,5	
8.2	100.8	49.6	
		max. Ø [mm ²]	AWG
		-	-
IEC 60947-7-1			
IEC	UL/CUL	CSA	IEC/EN 60079-7
-	-	-	-
-	- / -	-	-
-	-	-	-
-	-	-	-
solid	stranded	Ferrule Without / with plastic sleeve	
-	-	-	-
-	-	-	-
12	PA	V0	

Ordering data			
Type	Order No.	Pcs. / Pkt.	
DP-STMED 6	3035690	50	

Accessories			
D-DTME 6		3034426	10
FBS 2-8	41 A	3030284	10
FBS 5-8	41 A	3030310	10
FBS 6-8	41 A	3032470	10
FBS 10-8	41 A	3030323	10
PAI-4-FIX OG		3034455	10
PAI-4-FIX YE		3032745	10
PAI-4-FIX GN		3032758	10
PAI-4-FIX VT		3032761	10
PAI-4-FIX BK		3032774	10
PAI-4-FIX BU		3032729	10
CARRIER 35-8		3034387	10
SZF 2-0,8X4,0		1204520	10

UC-TM 8, UCT-TM 8 or ZB 8
(see Catalog 5)
UC-TMF 8, UCT-TMF 8 or ZBF 8
(see Catalog 5)



6 (10) mm², 5 A, 1000 V, diode terminal block, same shape



Technical data			
Width	Length	Height NS 35/7,5	
8.2	100.8	60	
I_{max} [A]	U_{max} [V]	max. Ø [mm ²]	AWG
5 ¹⁾	1000 ²⁾	0.5 - 10	20 - 8
IEC 60947-7-1			
IEC	UL/CUL	CSA	IEC/EN 60079-7
1000 ²⁾	600	-	-
5 ¹⁾ / 6	10 / -	-	-
6	-	-	-
20 - 8	20-8	-	-
solid	stranded	Ferrule Without / with plastic sleeve	
0.5 - 10	0.5 - 6	0.5 - 6	0.5 - 6 0.5 - 1.5
1 - 10	-	1 - 6	1 - 6
12	PA	V0	

Ordering data			
Type	I_{max}	Order No.	Pcs. / Pkt.
PTME 6-DIO/L-R HV		3035697	50
PTME 6-DIO/R-L HV		3035698	50
PTME 6-BE		3035687	50

Accessories			
D-DTME 6		3034426	10
FBS 2-8	41 A	3030284	10
FBS 5-8	41 A	3030310	10
FBS 6-8	41 A	3032470	10
FBS 10-8	41 A	3030323	10
PAI-4-FIX OG		3034455	10
PAI-4-FIX YE		3032745	10
PAI-4-FIX GN		3032758	10
PAI-4-FIX VT		3032761	10
PAI-4-FIX BK		3032774	10
PAI-4-FIX BU		3032729	10
CARRIER 35-8		3034387	10
SZF 2-0,8X4,0		1204520	10

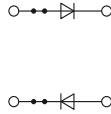
UC-TM 8, UCT-TM 8 or ZB 8
(see Catalog 5)
UC-TMF 8, UCT-TMF 8 or ZBF 8
(see Catalog 5)

Modular terminal blocks - CLIPLINE complete

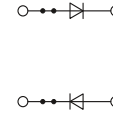
PT push-in connection terminal blocks

PT ...-DIO... diode terminal blocks

- Diode terminal blocks handle a large number of switching tasks
- Versions with diode conducting direction from left to right or vice versa
- Multi-conductor connection terminal blocks available



2.5 (4) mm², 0.5 A, diode terminal block



4 (6) mm², 1.5 A, diode terminal block with 1N 5408

Notes:
 1) The max. current is determined by the diode. Integrated: diode 1N 4007, reverse voltage: 1300 V, maximum continuous current: 0.5 A.
 2) The max. current is determined by the diode. Integrated: diode 1N 5408, reverse voltage: 1000 V, maximum continuous current 1.5 A.



Dimensions		[mm]
Max. electrical data		
Rated data		
Rated voltage	[V]	800
Nominal current / cross section	[A] / [mm ²]	0.5 ¹⁾ / 1
Rated cross section	[mm ²]	2.5
Cross section range	AWG	26 - 12
Connection capacity		
1 conductor	[mm ²]	0.14 - 4
Two stranded conductors with a TWIN ferrule	[mm ²]	0.14 - 2.5
Direct plug-in connection cross sections	[mm ²]	0.34 - 4
General data		
Stripping length	[mm]	10
Insulating material		PA
Inflammability class according to UL 94		V0

Technical data				
Width	Length	Height NS 35/7,5		
5.2	48.5	36.5		
I_{max} [A]	U_{max} [V]	max. Ø [mm ²]	AWG	
0.5 ¹⁾	800	0.14 - 4	26 - 12	
IEC	UL/CUL	CSA	IEC/EN 60079-7	
800	300	300	-	
0.5 ¹⁾ / 1	20 / -	0.5 / -	-	
2.5	-	-	-	
26 - 12	26-12	26-12	-	
solid		stranded		Ferrule
				Without / with plastic sleeve
0.14 - 4	0.14 - 2.5	0.14 - 2.5	0.14 - 2.5	0.5
0.34 - 4	-	0.34 - 2.5	0.34 - 2.5	-
10				
PA				
V0				

Technical data				
Width	Length	Height NS 35/7,5		
6.2	56	36.5		
I_{max} [A]	U_{max} [V]	max. Ø [mm ²]	AWG	
1.5 ²⁾	800	0.2 - 6	24 - 10	
IEC	UL/CUL	CSA	IEC/EN 60079-7	
800	600	600	-	
1.5 ²⁾ / 1	1.5 / -	1.5 / -	-	
4	-	-	-	
24 - 10	24-10	24-10	-	
solid		stranded		Ferrule
				Without / with plastic sleeve
0.2 - 6	0.2 - 4	0.25 - 4	0.25 - 4	0.5 - 1
0.5 - 6	-	0.5 - 4	0.5 - 4	-
12				
PA				
V0				

Description	No. of pos.	Color
Terminal block, with integrated diode, conducting from left to right		gray
Terminal block, with integrated diode, conducting from right to left		gray

Ordering data				
Type	I_{max}	Order No.	Pcs. / Pkt.	
PT 2,5-DIO/L-R		3210224	50	
PT 2,5-DIO/R-L		3210237	50	

Ordering data				
Type	I_{max}	Order No.	Pcs. / Pkt.	
PT 4-DIO 1N 5408/L-R		3212112	50	
PT 4-DIO 1N 5408/R-L		3212125	50	

Accessories		
Cover, width 2.2 mm	gray	
Cover, 0.8 mm width	orange	
End cover segment, for covering multi-conductor terminal blocks when two-conductor terminal blocks are aligned	gray	
Insulation stop sleeve, cross section range:		
0.08 - 0.2 mm ²	white	
0.25 - 0.5 mm ²	gray	
0.75 - 1 mm ²	black	
Plug-in bridge		
	2	red
	3	red
	4	red
	5	red
	10	red
	20	red
Partition plate, 2 mm width	gray	
Test adapter, 4-mm test socket hole	gray	
Test plug metal part, 2.3 mm Ø		
Insulating sleeve, for MPS metal part	red	
Modular test plug, for the individual assembly of test plug strips	red	

Accessories				
D-ST 2,5		3030417	50	
D-ST 2,5-0,8 OG		3030511	50	
ISH 2,5/0,2				
		3002843	50	
ISH 2,5/0,5				
		3002856	50	
ISH 2,5/1,0				
		3002869	50	
FBS 2-5				
	24 A	3030161	50	
FBS 3-5				
	24 A	3030174	50	
FBS 4-5				
	24 A	3030187	50	
FBS 5-5				
	24 A	3030190	50	
FBS 10-5				
	24 A	3030213	10	
FBS 20-5				
	24 A	3030226	10	
ATP-ST 4				
		3030721	50	
PAI-4-N GY				
		3032871	10	
MPS-MT				
		0201744	10	
MPS-IH RD				
		0201676	10	
PS-5				
		3030983	10	
SZF 1-0,6X3,5				
		1204517	10	

Accessories				
D-ST 4		3030420	50	
ISH 4/0,5				
		3002885	50	
ISH 4/1,0				
		3002898	50	
FBS 2-6				
	32 A	3030336	50	
FBS 3-6				
	32 A	3030242	50	
FBS 4-6				
	32 A	3030255	50	
FBS 5-6				
	32 A	3030349	50	
FBS 10-6				
	32 A	3030271	10	
FBS 20-6				
	32 A	3030365	10	
ATP-ST 4				
		3030721	50	
PAI-4-N GY				
		3032871	10	
MPS-MT				
		0201744	10	
MPS-IH RD				
		0201676	10	
PS-6				
		3030996	10	
SZF 1-0,6X3,5				
		1204517	10	

Center groove labeling
Center and lateral groove labeling

UC-TM 5, UCT-TM 5 or ZB 5 (see Catalog 5)
UC-TMF 5, UCT-TMF 5 or ZBF 5 (see Catalog 5)

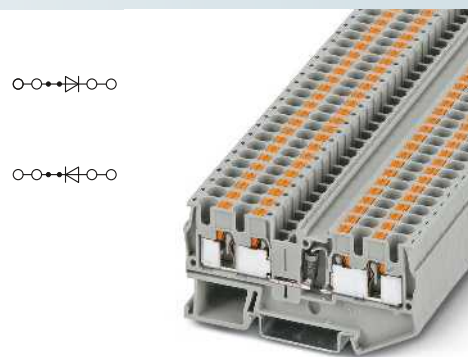
UC-TM 6, UCT-TM 6 or ZB 6 (see Catalog 5)
UC-TMF 6, UCT-TMF 6 or ZBF 6 (see Catalog 5)



2.5 (4) mm², 0.5 A, diode terminal block,
3 connections



2.5 (4) mm², 0.5 A, diode terminal block,
4 connections



4 (6) mm², 1.5 A, diode terminal block with
1N 5408



Technical data			
Width	Length	Height NS 35/7,5	
5.2	60.5	36.5	
I_{max} [A]	U_{max} [V]	max. Ø [mm ²]	AWG
0.5 ¹⁾	800	0.14 - 4	26 - 12
IEC	UL/CUL	CSA	IEC/ EN 60079-7
800	300	300	-
0.5 ¹⁾ / 1	20 / -	0.5 / -	-
2.5	-	-	-
26 - 12	26-12	26-12	-
solid	stranded	Ferrule Without / with plastic sleeve	
0.14 - 4	0.14 - 2.5	0.14 - 2.5	0.14 - 2.5 0.5
0.34 - 4	-	0.34 - 2.5	0.34 - 2.5
10	PA	V0	

Technical data			
Width	Length	Height NS 35/7,5	
5.2	72	36.5	
I_{max} [A]	U_{max} [V]	max. Ø [mm ²]	AWG
0.5 ¹⁾	800	0.14 - 4	26 - 12
IEC	UL/CUL	CSA	IEC/ EN 60079-7
800	300	300	-
0.5 ¹⁾ / 1	20 / -	0.5 / -	-
2.5	-	-	-
26 - 12	26-12	26-12	-
solid	stranded	Ferrule Without / with plastic sleeve	
0.14 - 4	0.14 - 2.5	0.14 - 2.5	0.14 - 2.5 0.5
0.34 - 4	-	0.34 - 2.5	0.34 - 2.5
10	PA	V0	

Technical data			
Width	Length	Height NS 35/7,5	
6.2	77	36.5	
I_{max} [A]	U_{max} [V]	max. Ø [mm ²]	AWG
1.5 ²⁾	800	0.2 - 6	24 - 10
IEC	UL/CUL	CSA	IEC/ EN 60079-7
800	600	600	-
1.5 ²⁾ / 1	1.5 / -	1.5 / -	-
4	-	-	-
24 - 10	24-10	24-10	-
solid	stranded	Ferrule Without / with plastic sleeve	
0.2 - 6	0.2 - 4	0.25 - 4	0.25 - 4 0.5 - 1
0.5 - 6	-	0.5 - 4	0.5 - 4
12	PA	V0	

Ordering data			
Type	I_{max}	Order No.	Pcs. / Pkt.
PT 2,5-TWIN-DIO/L-R		3210240	50
PT 2,5-TWIN-DIO/R-L		3210253	50

Ordering data			
Type	I_{max}	Order No.	Pcs. / Pkt.
PT 2,5-QUATTRO-DIO/L-R		3210266	50
PT 2,5-QUATTRO-DIO/R-L		3210279	50

Ordering data			
Type	I_{max}	Order No.	Pcs. / Pkt.
PT 4-QUATTRO-DIO 1N 5408/L-R		3211919	50
PT 4-QUATTRO-DIO 1N 5408/R-L		3211921	50

Accessories			
D-ST 2,5-TWIN	3030488	50	
D-ST 2,5-TWIN-0,8 OG	3030512	50	
DS-ST 2,5	3036602	10	
ISH 2,5/0,2	3002843	50	
ISH 2,5/0,5	3002856	50	
ISH 2,5/1,0	3002869	50	
FBS 2-5	24 A 3030161	50	
FBS 3-5	24 A 3030174	50	
FBS 4-5	24 A 3030187	50	
FBS 5-5	24 A 3030190	50	
FBS 10-5	24 A 3030213	10	
FBS 20-5	24 A 3030226	10	
ATP-ST-TWIN	3030789	50	
PAI-4-N GY	3032871	10	
MPS-MT	0201744	10	
MPS-IH RD	0201676	10	
PS-5	3030983	10	
SZF 1-0,6X3,5	1204517	10	

Accessories			
D-ST 2,5-QUATTRO	3030514	50	
D-ST 2,5-QUATTRO-0,8 OG	3030513	50	
DS-ST 2,5	3036602	10	
ISH 2,5/0,2	3002843	50	
ISH 2,5/0,5	3002856	50	
ISH 2,5/1,0	3002869	50	
FBS 2-5	24 A 3030161	50	
FBS 3-5	24 A 3030174	50	
FBS 4-5	24 A 3030187	50	
FBS 5-5	24 A 3030190	50	
FBS 10-5	24 A 3030213	10	
FBS 20-5	24 A 3030226	10	
ATP-ST QUATTRO	3030815	50	
PAI-4-N GY	3032871	10	
MPS-MT	0201744	10	
MPS-IH RD	0201676	10	
PS-5	3030983	10	
SZF 1-0,6X3,5	1204517	10	

Accessories			
D-PT 4-QUATTRO	3208979	50	
ISH 4/0,5	3002885	50	
ISH 4/1,0	3002898	50	
FBS 2-6	32 A 3030336	50	
FBS 3-6	32 A 3030242	50	
FBS 4-6	32 A 3030255	50	
FBS 5-6	32 A 3030349	50	
FBS 10-6	32 A 3030271	10	
FBS 20-6	32 A 3030365	10	
ATP-ST QUATTRO	3030815	50	
PAI-4-N GY	3032871	10	
MPS-MT	0201744	10	
MPS-IH RD	0201676	10	
PS-6	3030996	10	
SZF 1-0,6X3,5	1204517	10	

UC-TM 5, UCT-TM 5 or ZB 5
(see Catalog 5)
UC-TMF 5, UCT-TMF 5 or ZBF 5
(see Catalog 5)

UC-TM 5, UCT-TM 5 or ZB 5
(see Catalog 5)
UC-TMF 5, UCT-TMF 5 or ZBF 5
(see Catalog 5)

UC-TM 6, UCT-TM 6 or ZB 6
(see Catalog 5)
UC-TMF 6, UCT-TMF 6 or ZBF 6
(see Catalog 5)

PT push-in connection terminal blocks

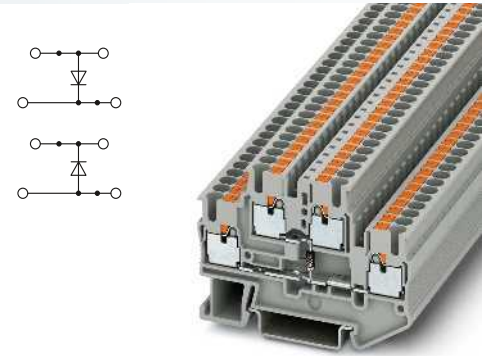
PTTB 2,5... diode and double-level terminal blocks with LED

- Double-level diode and light indicator terminal blocks carry out a great variety of switching tasks
- Compact design with 5.2 mm pitch
- The following can be implemented in tight spaces: freewheeling diode circuits, lamp test circuits, reporting and fault reporting circuits
- Bridgeable on both levels to implement different switching tasks

STP ... double marker carriers

- Optional, large labeling option using STP... double marker carriers

Notes:
1) The max. current is determined by the diode. Integrated: diode 1N 4007, reverse voltage: 1300 V, maximum continuous current: 0.5 A.
2) The operating voltage is determined by the LED version.



2.5 (4) mm², 26 A, double-level diode terminal block



Dimensions	
	[mm]
Max. electrical data	
	[mm]
Rated data	
Rated voltage	[V]
Nominal current / cross section	[A] / [mm ²]
Rated cross section	[mm ²]
Cross section range	AWG
Connection capacity	
1 conductor	[mm ²]
Two stranded conductors with a TWIN ferrule	[mm ²]
Direct plug-in connection cross sections	[mm ²]
General data	
Stripping length	[mm]
Insulating material	
Inflammability class according to UL 94	

Technical data				
Width	Length	Height NS 35/7,5		
5.2	68	47.5		
I _{max} [A]	U _{max} [V]	max. Ø [mm ²]	AWG	
26 ¹⁾	500	0.14 - 4	26 - 12	
IEC	UL/CUL	CSA	IEC/EN 60079-7	
500	300	300	-	
20 ¹⁾ / 2.5	20 / -	0.5 / -	-	
2.5	-	-	-	
26 - 12	26-12	26-12	-	
solid	stranded	Ferrule		
		Without / with plastic sleeve		
0.14 - 4	0.14 - 2.5	0.14 - 2.5	0.14 - 2.5	
		0.5		
0.34 - 4	-	0.34 - 2.5	0.34 - 2.5	
10				
PA				
V0				

Description	No. of pos.	Color
Terminal block, with integrated 1N 4007 diode, conducting from top to bottom		gray
Terminal block, with integrated 1N 4007 diode, conducting from bottom to top		gray
Terminal block, with integrated 1N 4007 diode, conducting from bottom left to bottom right		gray
Terminal block, with two integrated 1N 4007 diodes, conducting direction from top to bottom left and from bottom right to bottom left		gray
Terminal block, with two integrated 1N 4007 diodes, conducting direction from top to bottom left and from top to bottom right		gray
Terminal block, with LED for 12-30 V DC, 0.7-2.4 mA		gray
for 30-60 V DC, 0.8-1.8 mA		gray
for 110-250 V AC/DC, 0.1-0.5 mA		gray
Terminal block, for soldering in a component		gray
Terminal block, with built-in resistor between upper and lower levels, 499 ohms		gray

Ordering data			
Type	I _{max}	Order No.	Pcs. / Pkt.
PTTB 2,5-DIO/O-U		3210923	50
PTTB 2,5-DIO/U-O		3210936	50



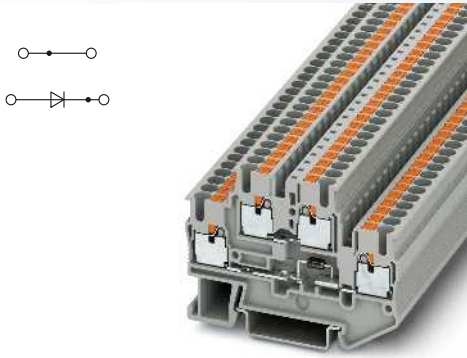
Cover, width 2.2 mm		gray
Plug-in bridge		
	2	red
	3	red
	4	red
	5	red
	10	red
	20	red
Partition plate, 2 mm width		gray
Screwdriver		

Accessories			
D-PTTB 2,5		Order No.	Pcs. / Pkt.
		3211634	50
FBS 2-5	20 A	3030161	50
FBS 3-5	20 A	3030174	50
FBS 4-5	20 A	3030187	50
FBS 5-5	20 A	3030190	50
FBS 10-5	20 A	3030213	10
FBS 20-5	20 A	3030226	10
ATP-STTB 4		3030747	50
SZF 1-0,6X3,5		1204517	10

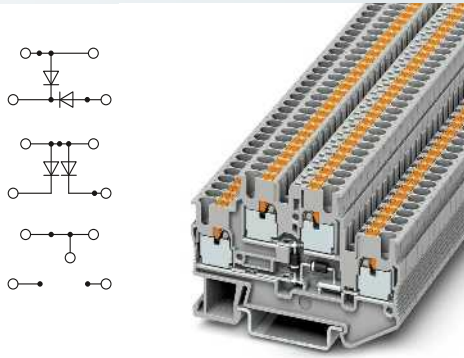
Center and lateral groove labeling

UC-TMF 5, UCT-TMF 5 or ZBF 5 (see Catalog 5)

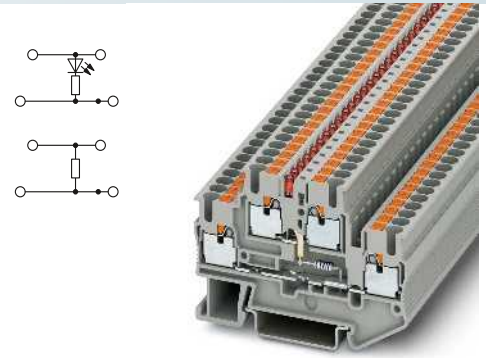
PT push-in connection terminal blocks



2.5 (4) mm², 26 A, double-level diode terminal block



2.5 (4) mm², 26 A, double-level diode terminal block



2.5 (4) mm², 24 A, double-level terminal block with light indicator or resistor



Technical data				
Width	Length	Height NS 35/7,5		
5.2	68	47.5		
I_{max} [A]	U_{max} [V]	max. Ø [mm ²]	AWG	
26 ¹⁾	500	0.14 - 4	26 - 12	
IEC	UL/CUL	CSA	IEC/EN 60079-7	
500	300	300	-	
20 ¹⁾ / 2.5	20 / -	0.5 / -	-	
2.5	-	-	-	
26 - 12	26-12	26-12	-	
solid	stranded	Ferrule		
		Without / with plastic sleeve		
0.14 - 4	0.14 - 2.5	0.14 - 2.5	0.14 - 2.5 0.5	
0.34 - 4	-	0.34 - 2.5	0.34 - 2.5	
10	PA	V0		

Technical data				
Width	Length	Height NS 35/7,5		
5.2	68	47.5		
I_{max} [A]	U_{max} [V]	max. Ø [mm ²]	AWG	
26 ¹⁾	250	0.14 - 4	26 - 12	
IEC	UL/CUL	CSA	IEC/EN 60079-7	
250	300	300	-	
20 ¹⁾ / 2.5	20 / -	0.5 / -	-	
2.5	-	-	-	
26 - 12	26-12	26-12	-	
solid	stranded	Ferrule		
		Without / with plastic sleeve		
0.14 - 4	0.14 - 2.5	0.14 - 2.5	0.14 - 2.5 0.5	
0.34 - 4	-	0.34 - 2.5	0.34 - 2.5	
10	PA	V0		

Technical data				
Width	Length	Height NS 35/7,5		
5.2	68	47.5		
I_{max} [A]	U_{max} [V]	max. Ø [mm ²]	AWG	
24	500 ²⁾	0.14 - 4	26 - 12	
IEC	UL/CUL	CSA	IEC/EN 60079-7	
500 ²⁾	300	30	-	
20 / 2.5	20 / -	20 / -	-	
2.5	-	-	-	
26 - 12	24-12	26-12	-	
solid	stranded	Ferrule		
		Without / with plastic sleeve		
0.14 - 4	0.14 - 2.5	0.14 - 2.5	0.14 - 2.5 0.5	
0.34 - 4	-	0.34 - 2.5	0.34 - 2.5	
12	PA	V0		

Ordering data			
Type	I_{max}	Order No.	Pcs. / Pkt.
PTTB 2,5-DIO/UL-UR		3211427	50
PTTB 2,5-2DIO/O-UL/UR-UL		3211430	50
PTTB 2,5-2DIO/O-UL/O-UR		3211443	50
PTTB 2,5-2BE		3211480	50

Ordering data			
Type	I_{max}	Order No.	Pcs. / Pkt.
PTTB 2,5-DIO/UL-UR		3211427	50
PTTB 2,5-2DIO/O-UL/UR-UL		3211430	50
PTTB 2,5-2DIO/O-UL/O-UR		3211443	50
PTTB 2,5-2BE		3211480	50
PTTB 2,5-LA 24 RD		3211456	50
PTTB 2,5-LA 60 RD		3211469	50
PTTB 2,5-LA 230		3211472	50
PTTB 2,5-R499/O-U		3210925	50

Ordering data			
Type	I_{max}	Order No.	Pcs. / Pkt.
PTTB 2,5-DIO/UL-UR		3211427	50
PTTB 2,5-2DIO/O-UL/UR-UL		3211430	50
PTTB 2,5-2DIO/O-UL/O-UR		3211443	50
PTTB 2,5-2BE		3211480	50
PTTB 2,5-LA 24 RD		3211456	50
PTTB 2,5-LA 60 RD		3211469	50
PTTB 2,5-LA 230		3211472	50
PTTB 2,5-R499/O-U		3210925	50

Accessories			
D-PTTB 2,5		Order No.	Pcs. / Pkt.
D-PTTB 2,5		3211634	50
FBS 2-5	20 A	3030161	50
FBS 3-5	20 A	3030174	50
FBS 4-5	20 A	3030187	50
FBS 5-5	20 A	3030190	50
FBS 10-5	20 A	3030213	10
FBS 20-5	20 A	3030226	10
ATP-STTB 4		3030747	50
SZF 1-0,6X3,5		1204517	10

Accessories			
D-PTTB 2,5		Order No.	Pcs. / Pkt.
D-PTTB 2,5		3211634	50
FBS 2-5	20 A	3030161	50
FBS 3-5	20 A	3030174	50
FBS 4-5	20 A	3030187	50
FBS 5-5	20 A	3030190	50
FBS 10-5	20 A	3030213	10
FBS 20-5	20 A	3030226	10
ATP-STTB 4		3030747	50
SZF 1-0,6X3,5		1204517	10

Accessories			
D-PTTB 2,5		Order No.	Pcs. / Pkt.
D-PTTB 2,5		3211634	50
FBS 2-5	20 A	3030161	50
FBS 3-5	20 A	3030174	50
FBS 4-5	20 A	3030187	50
FBS 5-5	20 A	3030190	50
FBS 10-5	20 A	3030213	10
FBS 20-5	20 A	3030226	10
ATP-STTB 4		3030747	50
SZF 1-0,6X3,5		1204517	10

UC-TMF 5, UCT-TMF 5 or ZBF 5
(see Catalog 5)

UC-TMF 5, UCT-TMF 5 or ZBF 5
(see Catalog 5)

UC-TMF 5, UCT-TMF 5 or ZBF 5
(see Catalog 5)

Modular terminal blocks - CLIPLINE complete

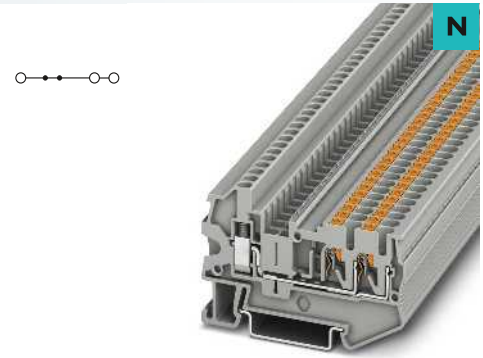
PT push-in connection terminal blocks

PTU ... hybrid terminal blocks with single-sided screw connection

- The advantages of the different connection methods are as follows:
- The push-in TWIN connection is used inside the control cabinet and the universal screw connection is used on the end customer side
- Compact design
- Can be consistently bridged to standard terminal blocks in the PT push-in terminal block series
- Operational large and continuous labeling
- Ground terminal blocks of the same shape meet all the requirements of standard IEC 60947-7-2

CLIP PROJECT Planning enables the quick and convenient planning and configuration of fault-free terminal strips.

Notes:
For current carrying capacity of DIN rails, see page 716.
For UDB 2X... trunk line branch terminals, see page 98.
¹⁾ The total current of all connected conductors must not exceed the max. load current.



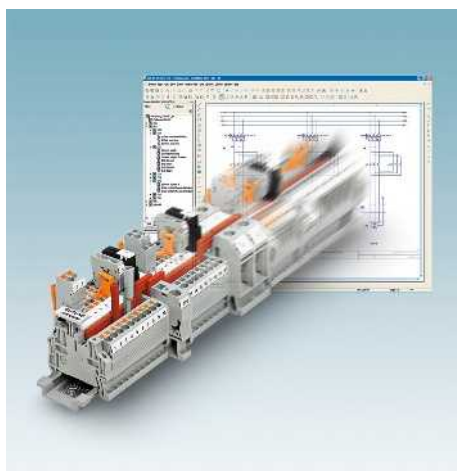
2.5 (4) mm², 28 A, feed-through terminal block

Dimensions		[mm]	
Max. electrical data			
Rated data, screw connection			
Rated voltage	[V]	800	-
Nominal current / cross section	[A] / [mm ²]	24 ¹⁾ / 2.5	-
Rated cross section	[mm ²]	2.5	-
Cross section range	AWG	28 - 12	-
Connection capacity of screw connection			
1 conductor	[mm ²]	0.14 - 4	0.14 - 2.5
Two conductors (of the same type)	[mm ²]	0.14 - 2.5	0.2 - 2.5
Two stranded conductors with a TWIN ferrule	[mm ²]		
Rated data of push-in connection			
Rated voltage	[V]	800	-
Nominal current / cross section	[A] / [mm ²]	24 / 2.5	-
Cross section range	AWG	26 - 12	-
Connection capacity of push-in connection			
1 conductor	[mm ²]	0.14 - 4	0.14 - 2.5
Two conductors with a TWIN ferrule	[mm ²]		0.5
Direct plug-in connection cross sections	[mm ²]	0.34 - 4	2.5
General data			
Stripping length, screw connection	[mm]	9	
Stripping length, push-in connection	[mm]	10	
Screw thread		M3	
Tightening torque	[Nm]	0.6 - 0.8	
Insulating material		PA	
Inflammability class according to UL 94		V0	

Technical data				
Width	Length	Height NS 35/7,5		
5.2	65.3	42.8		
I _{max} [A]	U _{max} [V]	max. Ø [mm ²]	AWG	
28 ¹⁾	800	0.14 - 4	28 - 12	
IEC 60947-7-1				
IEC	UL/CUL	CSA	IEC/EN 60079-7	
Connection capacity of screw connection				
solid	stranded	Ferrule		
		Without / with plastic sleeve		
0.14 - 4	0.14 - 2.5	0.14 - 2.5	0.14 - 2.5	
0.14 - 2.5	0.2 - 2.5	0.14 - 1.5	-	
		0.5 - 1		
IEC 60947-7-1				
IEC	UL/CUL	CSA	IEC/EN 60079-7	
Connection capacity of push-in connection				
solid	stranded	Ferrule		
		Without / with plastic sleeve		
0.14 - 4	0.14 - 2.5	0.14 - 2.5	0.14 - 2.5	
		0.5		
0.34 - 4	-	2.5	2.5	

Description	Color
Terminal block , for mounting on NS 35...	gray blue
Ground terminal block , for mounting on NS 35...	green-yellow

Ordering data			
Type	I _{max}	Order No.	Pcs. / Pkt.
PTU 2,5-TWIN		3209515	50
PTU 2,5-TWIN BU		3209516	50



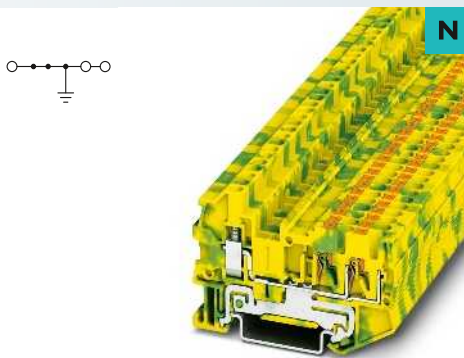
Cover , width 2.2 mm	gray
Insulation stop sleeve , cross section range:	
0.08 - 0.2 mm ²	white
0.25 - 0.5 mm ²	gray
0.75 - 1 mm ²	black
Plug-in bridge	
	2 red
	3 red
	4 red
	5 red
	10 red
	20 red
Partition plate , 2 mm width	gray
Screwdriver	

Accessories		
Type	Order No.	Pcs. / Pkt.
D-STU 2,5-TWIN	3033045	50
ISH 2,5/0,2	3002843	50
ISH 2,5/0,5	3002856	50
ISH 2,5/1,0	3002869	50
FBS 2-5	24 A 3030161	50
FBS 3-5	24 A 3030174	50
FBS 4-5	24 A 3030187	50
FBS 5-5	24 A 3030190	50
FBS 10-5	24 A 3030213	10
FBS 20-5	24 A 3030226	10
ATP-ST 4	3030721	50
SZF 1-0,6X3,5	1204517	10

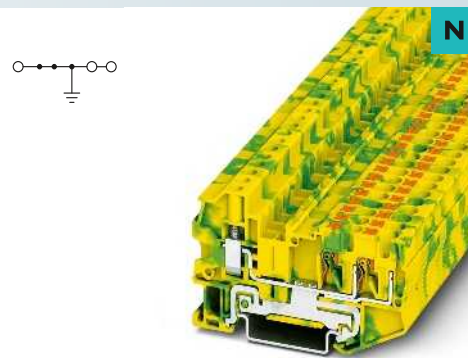
Center groove labeling	UC-TM 5, UCT-TM 5 or ZB 5 (see Catalog 5)
Center and lateral groove labeling	UC-TMF 5, UCT-TMF 5 or ZBF 5 (see Catalog 5)



4 (6) mm², 38 A, feed-through terminal block



2.5 (4) mm², ground terminal block



4 (6) mm², ground terminal block

Technical data			
Width	Length	Height NS 35/7,5	
6.2	69.3	42.8	
I_{max} [A]	U_{max} [V]	max. Ø [mm ²]	AWG
38*	800	0.14 - 6	28 - 10
IEC 60947-7-1			
IEC	UL/CUL	CSA	IEC/EN 60079-7
800	-	-	-
32 ¹⁾ / 4	-	-	-
4	-	-	-
28 - 10	-	-	-
solid	stranded	Ferrule Without / with plastic sleeve	
0.14 - 6	0.14 - 4	0.14 - 4	0.14 - 4
0.14 - 1.5	0.14 - 1.5	0.14 - 1.5	-
			0.5 - 2.5
IEC 60947-7-1			
IEC	UL/CUL	CSA	IEC/EN 60079-7
800	-	-	-
32 / 4	-	-	-
24 - 10	-	-	-
solid	stranded	Ferrule Without / with plastic sleeve	
0.2 - 6	0.2 - 4	0.25 - 4	0.25 - 4
			0.5 - 1
0.5 - 6	-	4	4
10			
12			
M3			
0.6 - 0.8			
PA			
V0			

Technical data			
Width	Length	Height NS 35/7,5	
5.2	65.3	42.8	
I_{max} [A]	U_{max} [V]	max. Ø [mm ²]	AWG
-	-	0.14 - 4	28 - 12
IEC 60947-7-2			
IEC	UL/CUL	CSA	IEC/EN 60079-7
-	-	-	-
-	-	-	-
2.5	-	-	-
28 - 12	-	-	-
solid	stranded	Ferrule Without / with plastic sleeve	
0.14 - 4	0.14 - 2.5	0.14 - 2.5	0.14 - 2.5
0.14 - 2.5	0.2 - 2.5	0.14 - 1.5	-
			0.5 - 1
IEC 60947-7-2			
IEC	UL/CUL	CSA	IEC/EN 60079-7
800	-	-	-
-	-	-	-
26 - 12	-	-	-
solid	stranded	Ferrule Without / with plastic sleeve	
0.14 - 4	0.14 - 2.5	0.14 - 2.5	0.14 - 2.5
			0.5
0.34 - 4	-	2.5	2.5
9			
10			
M3			
0.6 - 0.8			
PA			
V0			

Technical data			
Width	Length	Height NS 35/7,5	
6.2	69.3	42.8	
I_{max} [A]	U_{max} [V]	max. Ø [mm ²]	AWG
-	-	0.14 - 6	28 - 10
IEC 60947-7-2			
IEC	UL/CUL	CSA	IEC/EN 60079-7
-	-	-	-
-	-	-	-
4	-	-	-
28 - 10	-	-	-
solid	stranded	Ferrule Without / with plastic sleeve	
0.14 - 6	0.14 - 4	0.14 - 4	0.14 - 4
0.14 - 1.5	0.14 - 1.5	0.14 - 1.5	-
			0.5 - 2.5
IEC 60947-7-2			
IEC	UL/CUL	CSA	IEC/EN 60079-7
-	-	-	-
-	-	-	-
24 - 10	-	-	-
solid	stranded	Ferrule Without / with plastic sleeve	
0.2 - 6	0.2 - 4	0.25 - 4	0.25 - 4
			0.5 - 1
0.5 - 6	-	4	4
10			
12			
M3			
0.6 - 0.8			
PA			
V0			

Ordering data			
Type	I_{max}	Order No.	Pcs. / Pkt.
PTU 4-TWIN		3211859	50
PTU 4-TWIN BU		3211860	50

Ordering data		
Type	Order No.	Pcs. / Pkt.
PTU 2,5-TWIN-PE	3209517	50

Ordering data		
Type	Order No.	Pcs. / Pkt.
PTU 4-TWIN-PE	3211862	50

Accessories			
D-PTU 4-TWIN		3211863	50
ISH 4/0,5		3002885	50
ISH 4/1,0		3002898	50
FBS 2-6	32 A	3030336	50
FBS 3-6	32 A	3030242	50
FBS 4-6	32 A	3030255	50
FBS 5-6	32 A	3030349	50
FBS 10-6	32 A	3030271	10
FBS 20-6	32 A	3030365	10
ATP-ST 4		3030721	50
SZF 1-0,6X3,5		1204517	10

Accessories			
D-STU 2,5-TWIN		3033045	50
ISH 2,5/0,2		3002843	50
ISH 2,5/0,5		3002856	50
ISH 2,5/1,0		3002869	50
FBS 2-5		3030161	50
FBS 3-5		3030174	50
FBS 4-5		3030187	50
FBS 5-5		3030190	50
FBS 10-5		3030213	10
FBS 20-5		3030226	10
ATP-ST 4		3030721	50
SZF 1-0,6X3,5		1204517	10

Accessories			
D-PTU 4-TWIN		3211863	50
ISH 4/0,5		3002885	50
ISH 4/1,0		3002898	50
FBS 2-6		3030336	50
FBS 3-6		3030242	50
FBS 4-6		3030255	50
FBS 5-6		3030349	50
FBS 10-6		3030271	10
FBS 20-6		3030365	10
ATP-ST 4		3030721	50
SZF 1-0,6X3,5		1204517	10

UC-TM 6, UCT-TM 6 or ZB 6
(see Catalog 5)
UC-TMF 6, UCT-TMF 6 or ZBF 6
(see Catalog 5)

UC-TM 5, UCT-TM 5 or ZB 5
(see Catalog 5)
UC-TMF 5, UCT-TMF 5 or ZBF 5
(see Catalog 5)

UC-TM 6, UCT-TM 6 or ZB 6
(see Catalog 5)
UC-TMF 6, UCT-TMF 6 or ZBF 6
(see Catalog 5)

PT push-in connection terminal blocks

PTU ... hybrid terminal block bases for distribution of potential with single-sided screw connection



The terminal block bases are ideal for use in building installation and mechanical engineering applications, thanks to the following features:

- Quick and easy potential distribution with 14 push-in terminal points
- Compact design
- 25 mm² screw connection
- Large labeling option

The branch terminals from the UDB ... series are suitable for the simple voltage pick-off of main supply cables up to 35 mm², see page 98.



Notes:

1) The total current of all connected conductors must not exceed the max. load current.

1 ... 12
○-○-○-○-○-○-○-○-○-○-○-○-○-○-○-○



16 (25) mm², 80 A, terminal block base, 15 connections

Dimensions	
	[mm]
Max. electrical data	
Rated data, external screw connection	
Rated voltage	[V]
Nominal current / cross section	[A] / [mm ²]
Rated cross section	[mm ²]
Cross section range	AWG
Connection capacity of screw connection	
1 conductor	[mm ²]
Two conductors (of the same type)	[mm ²]
Two stranded conductors with a TWIN ferrule	[mm ²]
Rated data, 2 internal push-in connections	
Rated voltage	[V]
Nominal current / cross section	[A] / [mm ²]
Cross section range	AWG
Connection capacity, 2 internal push-in connections	
1 conductor	[mm ²]
Two conductors with a TWIN ferrule	[mm ²]
Direct plug-in connection cross sections	[mm ²]
Rated data, 12 external Push-in connections	
Rated voltage	[V]
Nominal current / cross section	[A] / [mm ²]
Cross section range	AWG
Connection capacity, 12 external Push-in connections	
1 conductor	[mm ²]
Two conductors with a TWIN ferrule	[mm ²]
Direct plug-in connection cross sections	[mm ²]
General data	
Stripping length, screw connection	[mm]
Stripping length, push-in connection	[mm]
Screw thread	
Tightening torque	[Nm]
Insulating material	
Inflammability class according to UL 94	

Technical data				
Width	Length	Height NS 35/7,5		
17.5	89.5	36		
I _{max} [A]	U _{max} [V]	max. Ø [mm ²]	AWG	
80 ¹⁾	690	1.5 - 25	16 - 4	
IEC 60998-1				
IEC	UL/CUL	CSA	IEC/EN 60079-7	
690	-	-	-	
76 ¹⁾ / 16	-	-	-	
16	-	-	-	
16 - 4	-	-	-	
Connection capacity of screw connection				
solid	stranded	Ferrule		
		Without / with plastic sleeve		
1.5 - 25	2.5 - 16	1.5 - 16	1.5 - 16	
1.5 - 10	1.5 - 6	1.5 - 6	-	
			1.5 - 6	
IEC 60998-2-2				
IEC	UL/CUL	CSA	IEC/EN 60079-7	
690	-	-	-	
20 ¹⁾ / 2.5	-	-	-	
14 - 12	-	-	-	
Connection capacity, 2 internal push-in connections				
solid	stranded	Ferrule		
		Without / with plastic sleeve		
1.5 - 4	-	1 - 2.5	1 - 2.5	
			0.5 - 1.5	
1.5 - 4	-	1	1	
IEC 60998-2-2				
IEC	UL/CUL	CSA	IEC/EN 60079-7	
690	-	-	-	
16 ¹⁾ / 1.5	-	-	-	
12 - 14	-	-	-	
Connection capacity, 12 external Push-in connections				
solid	stranded	Ferrule		
		Without / with plastic sleeve		
1 - 2.5	-	0.75 - 1.5	0.75 - 1.5	
			0.25 - 0.75	
1 - 2.5	-	1.5	1.5	

Description	Color
Terminal block, for mounting on NS 35...	gray blue green

Three-compartment marker carrier, can be snapped into ST 2,5-3... and PT 2,5-3... three-level terminal blocks, can be labeled with UC-TMF 5 and ZBF 5 or ...TM 5 and ZB 5	gray
---	------

Ordering data		
Type	Order No.	Pcs. / Pkt.
PTU 16/14X2,5 GY	3214016	10

Accessories		
STP 5-3	0810562	100

1 ... 12



16 (25) mm², 80 A, terminal block base,
15 connections

1 ... 12



16 (25) mm², 80 A, terminal block base,
15 connections

Technical data			
Width	Length	Height NS 35/7,5	
17.5	89.5	36	
I_{max} [A]	U_{max} [V]	max. Ø [mm ²]	AWG
80 ¹⁾	690	1.5 - 25	16 - 4
IEC 60998-1			
IEC	UL/CUL	CSA	IEC/ EN 60079-7
690	-	-	-
76 ¹⁾ / 16	-	-	-
16	-	-	-
16 - 4	-	-	-
solid	stranded	Ferrule Without / with plastic sleeve	
1.5 - 25	2.5 - 16	1.5 - 16	1.5 - 16
1.5 - 10	1.5 - 6	1.5 - 6	-
			1.5 - 6
IEC 60998-2-2			
IEC	UL/CUL	CSA	IEC/ EN 60079-7
690	-	-	-
20 ¹⁾ / 2.5	-	-	-
14 - 12	-	-	-
solid	stranded	Ferrule Without / with plastic sleeve	
1.5 - 4	-	1 - 2.5	1 - 2.5
			0.5 - 1.5
1.5 - 4	-	1	1
IEC 60998-2-2			
IEC	UL/CUL	CSA	IEC/ EN 60079-7
690	-	-	-
16 ¹⁾ / 1.5	-	-	-
12 - 14	-	-	-
solid	stranded	Ferrule Without / with plastic sleeve	
1 - 2.5	-	0.75 - 1.5	0.75 - 1.5
			0.25 - 0.75
1 - 2.5	-	1.5	1.5
12			
12			
M5			
2 - 3			
PA			
V0			

Technical data			
Width	Length	Height NS 35/7,5	
17.5	89.5	36	
I_{max} [A]	U_{max} [V]	max. Ø [mm ²]	AWG
80 ¹⁾	690	1.5 - 25	16 - 4
IEC 60998-1			
IEC	UL/CUL	CSA	IEC/ EN 60079-7
690	-	-	-
76 ¹⁾ / 16	-	-	-
16	-	-	-
16 - 4	-	-	-
solid	stranded	Ferrule Without / with plastic sleeve	
1.5 - 25	2.5 - 16	1.5 - 16	1.5 - 16
1.5 - 10	1.5 - 6	1.5 - 6	-
			1.5 - 6
IEC 60998-2-2			
IEC	UL/CUL	CSA	IEC/ EN 60079-7
690	-	-	-
20 ¹⁾ / 2.5	-	-	-
14 - 12	-	-	-
solid	stranded	Ferrule Without / with plastic sleeve	
1.5 - 4	-	1 - 2.5	1 - 2.5
			0.5 - 1.5
1.5 - 4	-	1	1
IEC 60998-2-2			
IEC	UL/CUL	CSA	IEC/ EN 60079-7
690	-	-	-
16 ¹⁾ / 1.5	-	-	-
12 - 14	-	-	-
solid	stranded	Ferrule Without / with plastic sleeve	
1 - 2.5	-	0.75 - 1.5	0.75 - 1.5
			0.25 - 0.75
1 - 2.5	-	1.5	1.5
12			
12			
M5			
2 - 3			
PA			
V0			

Ordering data		
Type	Order No.	Pcs. / Pkt.
PTU 16/14X2,5 BU	3214014	10

Ordering data		
Type	Order No.	Pcs. / Pkt.
PTU 16/14X2,5 GN	3214015	10

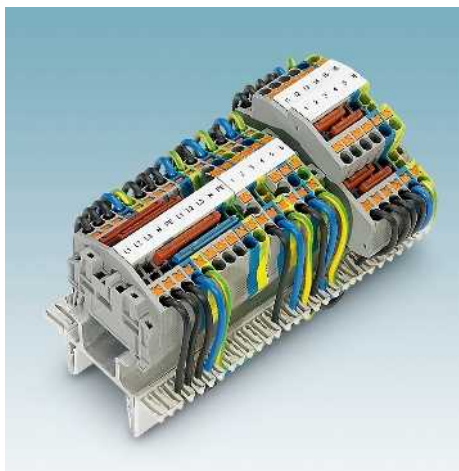
Accessories		
STP 5-3	Order No.	Pcs. / Pkt.
	0810562	100

Accessories		
STP 5-3	Order No.	Pcs. / Pkt.
	0810562	100

Modular terminal blocks - CLIPLINE complete

PT push-in connection terminal blocks

PTS ..., PTS ...-TWIN feed-through and multi-conductor desk-design terminal blocks



The angled push-in terminal blocks in desk design were developed for wiring systems where space is saved by means of underfloor wiring. They are characterized by:

- Compact design also with 3.5 mm pitch
- Uniform, touch-proof plug-in zone
- For nominal currents up to 30 A
- For nominal voltages up to 800 V
- Angled conductor entry for use in flat terminal boxes
- Two and three-conductor terminal blocks of the same shape
- Four function shafts enable all potential distribution tasks to be carried out in a convenient manner

Terminal strip service

We produce fully pre-assembled terminal strips for fitting straight into the control cabinet or switch system. This simplifies installation, saves time, and cuts costs.

Notes:

1) The total current of all connected conductors must not exceed the max. load current.



1.5 (1.5) mm², 17.5 A, feed-through terminal block, 2 connections



Dimensions	
	[mm]
Max. electrical data	
Rated data	
Rated voltage	[V]
Nominal current / cross section	[A] / [mm ²]
Rated cross section	[mm ²]
Cross section range	AWG
Connection capacity	
1 conductor	[mm ²]
Two stranded conductors with a TWIN ferrule	[mm ²]
Direct plug-in connection cross sections	[mm ²]
General data	
Stripping length	[mm]
Insulating material	
Inflammability class according to UL 94	

Technical data				
Width	Length	Height NS 35/7,5		
3.5	50.7	38.5		
I _{max} [A]	U _{max} [V]	max. Ø [mm ²]	AWG	
17.5	500	0.14 - 1.5	26 - 14	
IEC 60947-7-1				
IEC	UL/CUL	CSA	IEC/EN 60079-7	
Rated voltage	600	-	-	
Nominal current / cross section	17.5 / 1.5	15 / -	-	
Rated cross section	1.5	-	-	
Cross section range	26 - 14	26-14	-	
Connection capacity		solid	stranded	Ferrule
		Without / with plastic sleeve		
1 conductor	0.14 - 1.5	0.14 - 1.5	0.14 - 1.5	0.14 - 1
Two stranded conductors with a TWIN ferrule				
Direct plug-in connection cross sections	0.25 - 1.5	-	0.34 - 1.5	0.34 - 1
General data				
Stripping length	8			
Insulating material	PA			
Inflammability class according to UL 94	V0			

Description	No. of pos.	Color
Terminal block, for mounting on NS 35...		gray blue

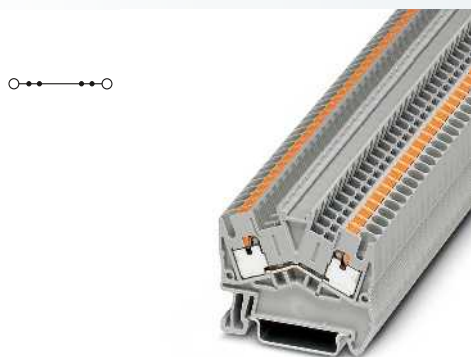
Ordering data			
Type	I _{max}	Order No.	Pcs. / Pkt.
PTS 1,5/S		3214547	50
PTS 1,5/S BU		3214550	50

Cover, width 2.2 mm		gray
Insulation stop sleeve, cross section range:		
0.08 - 0.2 mm ²		white
0.25 - 0.5 mm ²		gray
0.75 - 1 mm ²		black
Plug-in bridge		
	2	red
	3	red
	4	red
	5	red
	10	red
	20	red
Partition plate, 2 mm width		gray
Test adapter, 4-mm test socket hole		gray
Test plug metal part, 2.3 mm Ø		
Insulating sleeve, for MPS metal part		red
Modular test plug, for the individual assembly of test plug strips		red
Screwdriver		

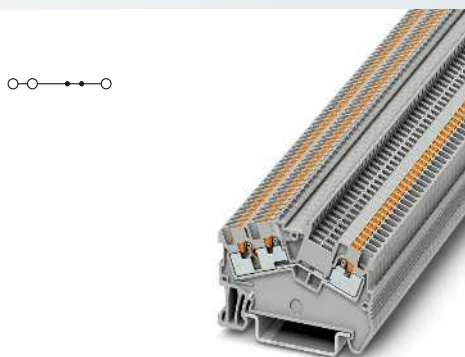
Accessories			
D-PTS 1,5/S		3214576	50
FBS 2-3,5	17.5 A	3213014	50
FBS 3-3,5	17.5 A	3213027	50
FBS 4-3,5	17.5 A	3213030	50
FBS 5-3,5	17.5 A	3213043	50
FBS 10-3,5	17.5 A	3213056	50
FBS 20-3,5	17.5 A	3213069	50
ATP-ST 4		3030721	50
MPS-MT		0201744	10
MPS-IH RD		0201676	10
SZF 0-0,4X2,5		1204504	10

Center groove labeling
Center groove labeling

UCT-TM 3,5 or ZB 3,5 (see Catalog 5)
UCT-TMF 3,5 or ZBF 3,5 (see Catalog 5)



2.5 (4) mm², 30 A, feed-through terminal block, 2 connections



1.5 (1.5) mm², 17.5 A, feed-through terminal block, 3 connections



2.5 (4) mm², 28 A, feed-through terminal block, 3 connections



Technical data			
Width	Length	Height NS 35/7,5	
5.2	49	43	
I_{max} [A]	U_{max} [V]	max. Ø [mm ²]	AWG
30	800	0.14 - 4	26 - 12
IEC 60947-7-1			
IEC	UL/CUL	CSA	IEC/EN 60079-7
800	600	600	-
24 / 2.5	20 / -	20 / -	-
2.5	-	-	-
26 - 12	26-12	26-12	-
solid	stranded	Ferrule Without / with plastic sleeve	
0.14 - 4	0.14 - 2.5	0.14 - 2.5	0.14 - 2.5 0.5
0.34 - 4	-	0.34 - 2.5	0.34 - 2.5
10	PA	V0	

Technical data			
Width	Length	Height NS 35/7,5	
3.5	50.7	38.5	
I_{max} [A]	U_{max} [V]	max. Ø [mm ²]	AWG
17.5 ¹⁾	500	0.14 - 1.5	26 - 14
IEC 60947-7-1			
IEC	UL/CUL	CSA	IEC/EN 60079-7
500	600	-	-
17.5 ¹⁾ / 1.5	15 / -	-	-
1.5	-	-	-
26 - 14	26-14	-	-
solid	stranded	Ferrule Without / with plastic sleeve	
0.14 - 1.5	0.14 - 1.5	0.14 - 1.5	0.14 - 1
0.25 - 1.5	-	0.34 - 1.5	0.34 - 1
8	PA	V0	

Technical data			
Width	Length	Height NS 35/7,5	
5.2	49	43	
I_{max} [A]	U_{max} [V]	max. Ø [mm ²]	AWG
28 ¹⁾	800	0.14 - 4	26 - 12
IEC 60947-7-1			
IEC	UL/CUL	CSA	IEC/EN 60079-7
800	600	600	-
24 ¹⁾ / 2.5	20 / -	20 / -	-
2.5	-	-	-
26 - 12	26-12	26-12	-
solid	stranded	Ferrule Without / with plastic sleeve	
0.14 - 4	0.14 - 2.5	0.14 - 2.5	0.14 - 2.5 0.5
0.34 - 4	-	0.34 - 2.5	0.34 - 2.5
10	PA	V0	

Ordering data			
Type	I_{max}	Order No.	Pcs. / Pkt.
PTS 2,5		3211799	50
PTS 2,5 BU		3211812	50

Ordering data			
Type	I_{max}	Order No.	Pcs. / Pkt.
PTS 1,5/S-TWIN		3214589	50
PTS 1,5/S-TWIN BU		3214592	50

Ordering data			
Type	I_{max}	Order No.	Pcs. / Pkt.
PTS 2,5-TWIN		3211896	50
PTS 2,5-TWIN BU		3211906	50

Accessories			
D-ST5 2,5		3031762	50
ISH 2,5/0,2		3002843	50
ISH 2,5/0,5		3002856	50
ISH 2,5/1,0		3002869	50
FBS 2-5	24 A	3030161	50
FBS 3-5	24 A	3030174	50
FBS 4-5	24 A	3030187	50
FBS 5-5	24 A	3030190	50
FBS 10-5	24 A	3030213	10
FBS 20-5	24 A	3030226	10
ATP-QTC		3206209	50
PAI-4-N GY		3032871	10
MPS-MT		0201744	10
MPS-IH RD		0201676	10
PS-5		3030983	10
SZF 1-0,6X3,5		1204517	10

Accessories			
D-PTS 1,5/S		3214576	50
FBS 2-3,5	17.5 A	3213014	50
FBS 3-3,5	17.5 A	3213027	50
FBS 4-3,5	17.5 A	3213030	50
FBS 5-3,5	17.5 A	3213043	50
FBS 10-3,5	17.5 A	3213056	50
FBS 20-3,5	17.5 A	3213069	50
ATP-ST 4		3030721	50
MPS-MT		0201744	10
MPS-IH RD		0201676	10
SZF 0-0,4X2,5		1204504	10

Accessories			
D-ST5 2,5		3031762	50
ISH 2,5/0,2		3002843	50
ISH 2,5/0,5		3002856	50
ISH 2,5/1,0		3002869	50
FBS 2-5	24 A	3030161	50
FBS 3-5	24 A	3030174	50
FBS 4-5	24 A	3030187	50
FBS 5-5	24 A	3030190	50
FBS 10-5	24 A	3030213	10
FBS 20-5	24 A	3030226	10
ATP-QTC		3206209	50
PAI-4-N GY		3032871	10
MPS-MT		0201744	10
MPS-IH RD		0201676	10
PS-5		3030983	10
SZF 1-0,6X3,5		1204517	10

UC-TM 5, UCT-TM 5 or ZB 5
(see Catalog 5)
UC-TMF 5, UCT-TMF 5 or ZBF 5
(see Catalog 5)

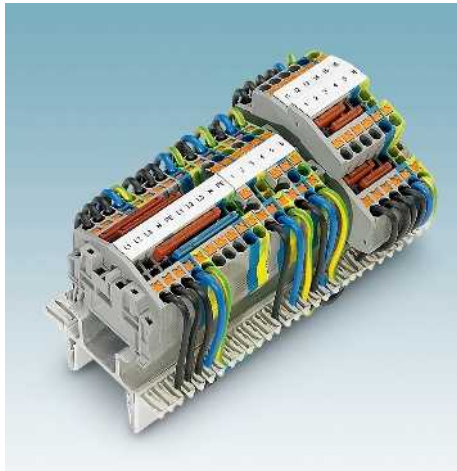
UCT-TM 3,5 or ZB 3,5
(see Catalog 5)
UCT-TMF 3,5 or ZBF 3,5
(see Catalog 5)

UC-TM 5, UCT-TM 5 or ZB 5
(see Catalog 5)
UC-TMF 5, UCT-TMF 5 or ZBF 5
(see Catalog 5)

Modular terminal blocks - CLIPLINE complete

PT push-in connection terminal blocks

PTS ..., PTTBS ... multi-conductor and double-level desk-design terminal blocks



The angled push-in terminal blocks in desk design were developed for wiring systems where space is saved by means of underfloor wiring. They are characterized by:

PTS ...

- Angled conductor entry for use in flat terminal boxes
- Large space saving when used in concealed wiring systems
- 2, 3, and 4-wire terminal blocks of the same shape
- Ground terminal blocks of the same shape are available

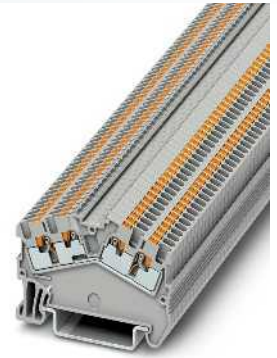
PTTBS ...

- Amount of space required is reduced by 50% compared to single-level terminal blocks
- Two bridge shafts on both levels for all potential distribution tasks
- Two large-surface labeling options
- Potential bridging of levels using the **FBS...-PV** vertical potential bridge, see figure below



Notes:

¹⁾ The total current of all connected conductors must not exceed the max. load current.



1.5 (1.5) mm², 17.5 A, feed-through terminal block, 4 connections



Dimensions		[mm]	
Max. electrical data			
Rated data			
Rated voltage	[V]	500	600
Nominal current / cross section	[A] / [mm ²]	17.5 ¹⁾ / 1.5	15 / -
Rated cross section	[mm ²]	1.5	-
Cross section range	AWG	26 - 14	26-14
Connection capacity			
1 conductor	[mm ²]	0.14 - 1.5	0.14 - 1.5
Two stranded conductors with a TWIN ferrule	[mm ²]	0.25 - 1.5	-
Direct plug-in connection cross sections	[mm ²]	0.25 - 1.5	-
General data			
Stripping length	[mm]	8	8
Insulating material		PA	PA
Inflammability class according to UL 94		V0	V0

Technical data				
Width	Length	Height NS 35/7,5		
3.5	50.7	38.5		
I _{max} [A]	U _{max} [V]	max. Ø [mm ²]	AWG	
17.5 ¹⁾	500	0.14 - 1.5	26 - 14	
IEC 60947-7-1				
IEC	UL/CUL	CSA	IEC/EN 60079-7	
Rated voltage		Ferrule		
Nominal current / cross section		Without / with plastic sleeve		
Rated cross section		0.14 - 1.5 0.14 - 1.5 0.14 - 1.5 0.14 - 1		
Cross section range		0.25 - 1.5 - 0.34 - 1.5 0.34 - 1		
Connection capacity		8		
Stripping length		PA		
Insulating material		V0		

Description	No. of pos.	Color
Terminal block, for mounting on NS 35...		gray blue
Terminal block, with equipotential bond, for mounting on NS 35... ¹⁾		gray

Ordering data			
Type	I _{max}	Order No.	Pcs. / Pkt.
PTS 1,5/S-QUATTRO		3214615	50
PTS 1,5/S-QUATTRO BU		3214631	50

Cover, width 2.2 mm	gray
Insulation stop sleeve, cross section range:	
0.08 - 0.2 mm ²	white
0.25 - 0.5 mm ²	gray
0.75 - 1 mm ²	black
Plug-in bridge	
	2 red
	3 red
	4 red
	5 red
	10 red
	20 red

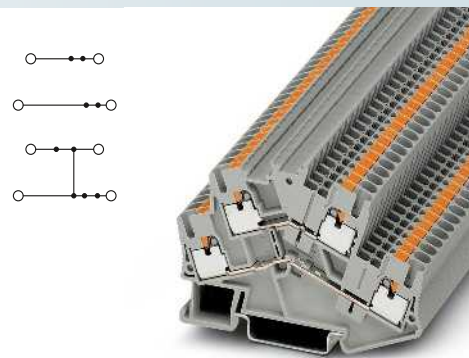
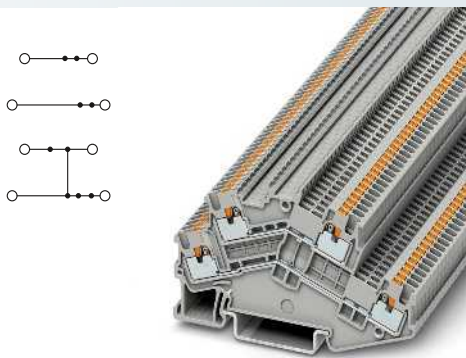
Accessories		
D-PTS 1,5/S	3214576	50

Vertical potential bridge, to connect the upper and lower level	black
Partition plate, 2 mm width	gray
Test adapter, 4-mm test socket hole	gray
Test plug metal part, 2.3 mm Ø	
Insulating sleeve, for MPS metal part	red
Modular test plug, for the individual assembly of test plug strips	red

ATP-ST 4	3030721	50
MPS-MT	0201744	10
MPS-IH RD	0201676	10
SZF 0-0,4X2,5	1204504	10

Screwdriver	UCT-TM 3,5 or ZB 3,5 (see Catalog 5)
Center groove labeling	UCT-TMF 3,5 or ZBF 3,5 (see Catalog 5)

PT push-in connection terminal blocks



2.5 (4) mm², 28 A, feed-through terminal block, 4 connections

1.5 (1.5) mm², 16 A, double-level terminal block

2.5 (4) mm², 24 A, double-level terminal block



Technical data			
Width	Length	Height NS 35/7,5	
5.2	49	43	
I_{max} [A]	U_{max} [V]	max. Ø [mm ²]	AWG
28 ¹⁾	800	0.14 - 4	26 - 12
IEC 60947-7-1			
IEC	UL/CUL	CSA	IEC/EN 60079-7
800	600	600	-
24 ¹⁾ / 2.5	20 / -	20 / -	-
2.5	-	-	-
26 - 12	26-12	26-12	-
solid	stranded	Ferrule	
Without / with plastic sleeve			
0.14 - 4	0.14 - 2.5	0.14 - 2.5	0.14 - 2.5
			0.5
0.34 - 4	-	0.34 - 2.5	0.34 - 2.5
10	PA	V0	

Technical data			
Width	Length	Height NS 35/7,5	
3.5	78.8	48.2	
I_{max} [A]	U_{max} [V]	max. Ø [mm ²]	AWG
16	500	0.14 - 1.5	26 - 14
IEC 60947-7-1			
IEC	UL/CUL	CSA	IEC/EN 60079-7
500	600	-	-
16 / 1.5	15 / -	-	-
1.5	-	-	-
26 - 14	26-14	-	-
solid	stranded	Ferrule	
Without / with plastic sleeve			
0.14 - 1.5	0.14 - 1.5	0.14 - 1.5	0.14 - 1
0.25 - 1.5	-	0.34 - 1.5	0.34 - 1
8	PA	V0	

Technical data			
Width	Length	Height NS 35/7,5	
5.2	78	55	
I_{max} [A]	U_{max} [V]	max. Ø [mm ²]	AWG
24	500	0.14 - 4	26 - 12
IEC 60947-7-1			
IEC	UL/CUL	CSA	IEC/EN 60079-7
500	600	600	-
22 / 2.5	20 / -	20 / -	-
2.5	-	-	-
26 - 12	26-12	26-12	-
solid	stranded	Ferrule	
Without / with plastic sleeve			
0.14 - 4	0.14 - 2.5	0.14 - 2.5	0.14 - 2.5
			0.5
0.34 - 4	-	0.34 - 2.5	0.34 - 2.5
10	PA	V0	

Ordering data		
Type	Order No.	Pcs. / Pkt.
PTS 2,5-QUATTRO	3211993	50
PTS 2,5-QUATTRO BU	3212002	50

Ordering data			
Type	I_{max}	Order No.	Pcs. / Pkt.
PTTBS 1,5/S		3214657	50
PTTBS 1,5/S BU		3214660	50
PTTBS 1,5/S-PV		3214686	50

Ordering data			
Type	I_{max}	Order No.	Pcs. / Pkt.
PTTBS 2,5		3209604	50
PTTBS 2,5 BU		3209617	50
PTTBS 2,5-PV		3210211	50

Accessories		
D-ST5 2,5	3031762	50
ISH 2,5/0,2	3002843	50
ISH 2,5/0,5	3002856	50
ISH 2,5/1,0	3002869	50
ATP-QTC	3206209	50
SZF 1-0,6X3,5	1204517	10

Accessories			
D-PTTBS 1,5/S		3214699	50
FBS 2-3,5	17.5 A	3213014	50
FBS 3-3,5	17.5 A	3213027	50
FBS 4-3,5	17.5 A	3213030	50
FBS 5-3,5	17.5 A	3213043	50
FBS 10-3,5	17.5 A	3213056	50
FBS 20-3,5	17.5 A	3213069	50
FBS 1,5/S-PV		3216263	10
ATP-STTB 4		3030747	50
MPS-MT		0201744	10
MPS-IH RD		0201676	10
PS-5		3030983	10
SZF 0-0,4X2,5		1204504	10

Accessories			
D-STTBS 2,5		3038503	50
ISH 2,5/0,2		3002843	50
ISH 2,5/0,5		3002856	50
ISH 2,5/1,0		3002869	50
FBS 2-5	20 A	3030161	50
FBS 3-5	20 A	3030174	50
FBS 4-5	20 A	3030187	50
FBS 5-5	20 A	3030190	50
FBS 10-5	20 A	3030213	10
FBS 20-5	20 A	3030226	10
FBS-PV		3032185	50
ATP-STTB 4		3030747	50
PAI-4-N GY		3032871	10
MPS-MT		0201744	10
MPS-IH RD		0201676	10
PS-5		3030983	10
SZF 1-0,6X3,5		1204517	10

UC-TM 5, UCT-TM 5 or ZB 5 (see Catalog 5)
UC-TMF 5, UCT-TMF 5 or ZBF 5 (see Catalog 5)

UCT-TM 3,5 or ZB 3,5 (see Catalog 5)
UCT-TMF 3,5 or ZBF 3,5 (see Catalog 5)

UC-TM 5, UCT-TM 5 or ZB 5 (see Catalog 5)
UC-TMF 5, UCT-TMF 5 or ZBF 5 (see Catalog 5)

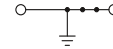
Modular terminal blocks - CLIPLINE complete

PT push-in connection terminal blocks

PTS 2,5 ...-PE, PTS 2,5-TWIN-PE desk-design ground terminal blocks

- Same shape and pitch as the feed-through terminal blocks
- Contact is made free from mechanical and electrical errors by simply snapping onto the DIN rail
- All the requirements of standard IEC 60947-7-2 are met

Notes:
For current carrying capacity of DIN rails, see page 716.



1.5 (1.5) mm², ground terminal block, 2 connections



Dimensions		[mm]
Max. electrical data		
Rated data		
Rated voltage	[V]	-
Nominal current / cross section	[A] / [mm ²]	- / -
Rated cross section	[mm ²]	1.5
Cross section range	AWG	26 - 14
Connection capacity		
1 conductor	[mm ²]	0.14 - 1.5
Two stranded conductors with a TWIN ferrule	[mm ²]	0.14 - 1.5
Direct plug-in connection cross sections	[mm ²]	0.25 - 1.5
General data		
Stripping length	[mm]	8
Insulating material		PA
Inflammability class according to UL 94		V0

Technical data				
Width	Length	Height NS 35/7,5		
3.5	50.7	38.5		
		max. Ø [mm ²]	AWG	
		0.14 - 1.5	26 - 14	
IEC 60947-7-2				
IEC	UL/CUL	CSA	IEC/EN 60079-7	
-	-	-	-	
Ferrule				
		Without / with plastic sleeve		
0.14 - 1.5	0.14 - 1.5	0.14 - 1.5	0.14 - 1	
0.25 - 1.5	-	0.34 - 1.5	0.34 - 1	

Description	No. of pos.	Color
Ground terminal block , for mounting on NS 35...		green-yellow

Ordering data		
Type	Order No.	Pcs. / Pkt.
PTS 1,5/S-PE	3214563	50

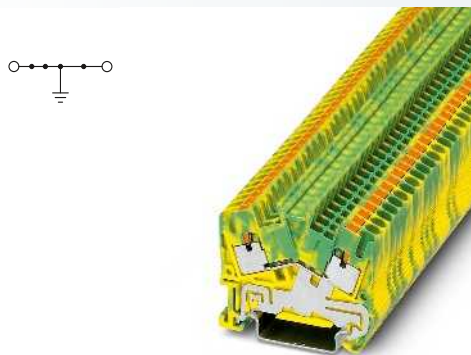
Cover , width 2.2 mm		gray
Insulation stop sleeve , cross section range:		
0.08 - 0.2 mm ²		white
0.25 - 0.5 mm ²		gray
0.75 - 1 mm ²		black
Plug-in bridge		
	2	red
	3	red
	4	red
	5	red
	10	red
	20	red
Partition plate , 2 mm width		gray
Test adapter , 4-mm test socket hole		gray
Test plug metal part , 2.3 mm Ø		
Insulating sleeve , for MPS metal part		red
Modular test plug , for the individual assembly of test plug strips		red
Screwdriver		

Accessories		
D-PTS 1,5/S	3214576	50
FBS 2-3,5	3213014	50
FBS 3-3,5	3213027	50
FBS 4-3,5	3213030	50
FBS 5-3,5	3213043	50
FBS 10-3,5	3213056	50
FBS 20-3,5	3213069	50
ATP-ST 4	3030721	50
MPS-MT	0201744	10
MPS-IH RD	0201676	10
SZF 0-0,4X2,5	1204504	10

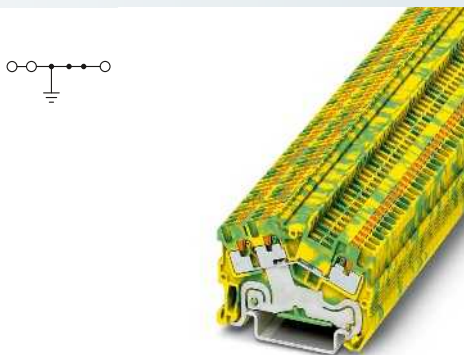
Center groove labeling
Center groove labeling

UCT-TM 3,5 or ZB 3,5 (see Catalog 5)
UCT-TMF 3,5 or ZBF 3,5 (see Catalog 5)

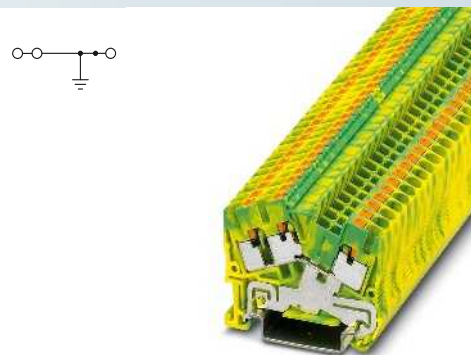
PT push-in connection terminal blocks



2.5 (4) mm², ground terminal block,
2 connections



1.5 (1.5) mm², ground terminal block,
3 connections



2.5 (4) mm², ground terminal block,
3 connections



Technical data			
Width	Length	Height NS 35/7,5	
5.2	49	43	
		max. Ø [mm ²]	AWG
		0.14 - 4	26 - 12
IEC 60947-7-2			
IEC	UL/CUL	CSA	IEC/EN 60079-7
-	-	-	-
-	-/-	-	-
2.5	-	-	-
26 - 12	26-12	26-12	-
solid	stranded	Ferrule Without / with plastic sleeve	
0.14 - 4	0.14 - 2.5	0.14 - 2.5	0.14 - 2.5 0.5
0.34 - 4	-	0.34 - 2.5	0.34 - 2.5
10	PA	V0	

Technical data			
Width	Length	Height NS 35/7,5	
3.5	50.7	38.5	
		max. Ø [mm ²]	AWG
		0.14 - 1.5	26 - 14
IEC 60947-7-2			
IEC	UL/CUL	CSA	IEC/EN 60079-7
-	-	-	-
-	-/-	-	-
1.5	-	-	-
26 - 14	26-14	-	-
solid	stranded	Ferrule Without / with plastic sleeve	
0.14 - 1.5	0.14 - 1.5	0.14 - 1.5	0.14 - 1
0.25 - 1.5	-	0.34 - 1.5	0.34 - 1
10	PA	V0	

Technical data			
Width	Length	Height NS 35/7,5	
5.2	49	43	
		max. Ø [mm ²]	AWG
		0.14 - 4	26 - 12
IEC 60947-7-2			
IEC	UL/CUL	CSA	IEC/EN 60079-7
-	-	-	-
-	-/-	-	-
2.5	-	-	-
26 - 12	26-12	26-12	-
solid	stranded	Ferrule Without / with plastic sleeve	
0.14 - 4	0.14 - 2.5	0.14 - 2.5	0.14 - 2.5 0.5
0.34 - 4	-	0.34 - 2.5	0.34 - 2.5
10	PA	V0	

Ordering data		
Type	Order No.	Pcs. / Pkt.
PTS 2,5-PE	3211867	50

Ordering data		
Type	Order No.	Pcs. / Pkt.
PTS 1,5/S-TWIN-PE	3214602	50

Ordering data		
Type	Order No.	Pcs. / Pkt.
PTS 2,5-TWIN-PE	3211935	50

Accessories		
D-ST5 2,5	3031762	50
ISH 2,5/0,2	3002843	50
ISH 2,5/0,5	3002856	50
ISH 2,5/1,0	3002869	50
FBS 2-5	3030161	50
FBS 3-5	3030174	50
FBS 4-5	3030187	50
FBS 5-5	3030190	50
FBS 10-5	3030213	10
FBS 20-5	3030226	10
ATP-QTC	3206209	50
PAI-4-N GY	3032871	10
MPS-MT	0201744	10
MPS-IH RD	0201676	10
PS-5	3030983	10
SZF 1-0,6X3,5	1204517	10

Accessories		
D-PTS 1,5/S	3214576	50
FBS 2-3,5	3213014	50
FBS 3-3,5	3213027	50
FBS 4-3,5	3213030	50
FBS 5-3,5	3213043	50
FBS 10-3,5	3213056	50
FBS 20-3,5	3213069	50
ATP-ST 4	3030721	50
MPS-MT	0201744	10
MPS-IH RD	0201676	10
SZF 0-0,4X2,5	1204504	10

Accessories		
D-ST5 2,5	3031762	50
ISH 2,5/0,2	3002843	50
ISH 2,5/0,5	3002856	50
ISH 2,5/1,0	3002869	50
FBS 2-5	3030161	50
FBS 3-5	3030174	50
FBS 4-5	3030187	50
FBS 5-5	3030190	50
FBS 10-5	3030213	10
FBS 20-5	3030226	10
ATP-QTC	3206209	50
PAI-4-N GY	3032871	10
MPS-MT	0201744	10
MPS-IH RD	0201676	10
PS-5	3030983	10
SZF 1-0,6X3,5	1204517	10

UC-TM 5, UCT-TM 5 or ZB 5
(see Catalog 5)
UC-TMF 5, UCT-TMF 5 or ZBF 5
(see Catalog 5)

UCT-TM 3,5 or ZB 3,5
(see Catalog 5)
UCT-TMF 3,5 or ZBF 3,5
(see Catalog 5)

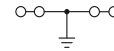
UC-TM 5, UCT-TM 5 or ZB 5
(see Catalog 5)
UC-TMF 5, UCT-TMF 5 or ZBF 5
(see Catalog 5)

PT push-in connection terminal blocks

PTS ...-QUATTRO-PE, PTTBS ...-PE multi-conductor and double-level desk-design ground terminal blocks

- Same shape and pitch as the feed-through terminal blocks
- Contact is made free from mechanical and electrical errors by simply snapping onto the DIN rail
- All the requirements of standard IEC 60947-7-2 are met

Notes:
For current carrying capacity of DIN rails, see page 716.



1.5 (1.5) mm², ground terminal block, 4 connections



Dimensions		
		[mm]
Max. electrical data		
Rated data		
Rated voltage		[V]
Nominal current / cross section		[A] / [mm ²]
Rated cross section		[mm ²]
Cross section range		AWG
Connection capacity		
1 conductor		[mm ²]
Two stranded conductors with a TWIN ferrule		[mm ²]
Direct plug-in connection cross sections		[mm ²]
General data		
Stripping length		[mm]
Insulating material		
Inflammability class according to UL 94		

Technical data				
Width	Length	Height NS 35/7,5		
3.5	50.7	38.5		
		max. Ø [mm ²]	AWG	
		0.14 - 1.5	26 - 14	
IEC 60947-7-2				
IEC	UL/CUL	CSA	IEC/EN 60079-7	
-	-	-	-	
-	-/-	-	-	
1.5	-	-	-	
26 - 14	26-14	-	-	
solid		stranded		Ferrule
				Without / with plastic sleeve
0.14 - 1.5	0.14 - 1.5	0.14 - 1.5	0.14 - 1	
0.25 - 1.5	-	0.34 - 1.5	0.34 - 1	
8				
PA				
V0				

Description	No. of pos.	Color
Ground terminal block, for mounting on NS 35...		green-yellow

Ordering data		
Type	Order No.	Pcs. / Pkt.
PTS 1,5/S-QUATTRO-PE	3214644	50

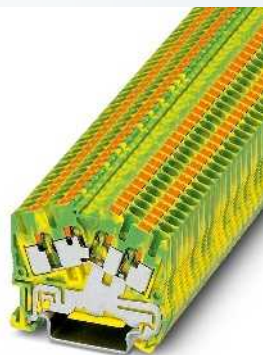
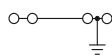
Cover, width 2.2 mm		gray
Insulation stop sleeve, cross section range:		
0.08 - 0.2 mm ²		white
0.25 - 0.5 mm ²		gray
0.75 - 1 mm ²		black
Plug-in bridge		
	2	red
	3	red
	4	red
	5	red
	10	red
	20	red
Partition plate, 2 mm width		gray
Test adapter, 4-mm test socket hole		gray
Test plug metal part, 2.3 mm Ø		
Insulating sleeve, for MPS metal part		red
Modular test plug, for the individual assembly of test plug strips		red
Screwdriver		

Accessories		
D-PTS 1,5/S	3214576	50
ATP-ST 4	3030721	50
MPS-MT	0201744	10
MPS-IH RD	0201676	10
SZF 0-0,4X2,5	1204504	10

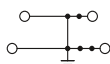
Center groove labeling
Center groove labeling

UCT-TM 3,5 or ZB 3,5 (see Catalog 5)
UCT-TMF 3,5 or ZBF 3,5 (see Catalog 5)

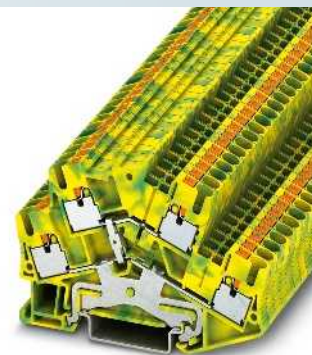
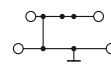
PT push-in connection terminal blocks



2.5 (4) mm², ground terminal block,
4 connections



1.5 (1.5) mm², double-level ground terminal
block



2.5 (4) mm², double-level ground terminal
block



Technical data			
Width	Length	Height NS 35/7,5	
5.2	49	43	
		max. Ø [mm ²]	AWG
		0.14 - 4	26 - 12
IEC 60947-7-2			
IEC	UL/CUL	CSA	IEC/EN 60079-7
-	-	-	-
-	-/-	-	-
2.5	-	-	-
26 - 12	26-12	26-12	-
solid	stranded	Ferrule	
		Without / with plastic sleeve	
0.14 - 4	0.14 - 2.5	0.14 - 2.5	0.14 - 2.5
			0.5
0.34 - 4	-	0.34 - 2.5	0.34 - 2.5
10	PA	V0	

Technical data			
Width	Length	Height NS 35/7,5	
3.5	78.8	48.2	
		max. Ø [mm ²]	AWG
		0.14 - 1.5	26 - 14
IEC 60947-7-2			
IEC	UL/CUL	CSA	IEC/EN 60079-7
-	-	-	-
-	-/-	-	-
1.5	-	-	-
26 - 14	26-14	-	-
solid	stranded	Ferrule	
		Without / with plastic sleeve	
0.14 - 1.5	0.14 - 1.5	0.14 - 1.5	0.14 - 1
0.25 - 1.5	-	0.34 - 1.5	0.34 - 1
8	PA	V0	

Technical data			
Width	Length	Height NS 35/7,5	
5.2	78	55	
		max. Ø [mm ²]	AWG
		0.14 - 4	26 - 12
IEC 60947-7-2			
IEC	UL/CUL	CSA	IEC/EN 60079-7
-	-	-	-
-	-/-	-	-
2.5	-	-	-
26 - 12	26-12	26-12	-
solid	stranded	Ferrule	
		Without / with plastic sleeve	
0.14 - 4	0.14 - 2.5	0.14 - 2.5	0.14 - 2.5
			0.5
0.34 - 4	-	0.34 - 2.5	0.34 - 2.5
10	PA	V0	

Ordering data		
Type	Order No.	Pcs. / Pkt.
PTS 2,5-QUATTRO-PE	3212011	50

Ordering data		
Type	Order No.	Pcs. / Pkt.
PTTBS 1,5/S-PE	3214673	50

Ordering data		
Type	Order No.	Pcs. / Pkt.
PTTBS 2,5-PE	3209620	50

Accessories		
D-ST5 2,5	3031762	50
ISH 2,5/0,2	3002843	50
ISH 2,5/0,5	3002856	50
ISH 2,5/1,0	3002869	50
ATP-QTC	3206209	50
SZF 1-0,6X3,5	1204517	10

Accessories		
D-PTTBS 1,5/S	3214699	50
FBS 2-3,5	3213014	50
FBS 3-3,5	3213027	50
FBS 4-3,5	3213030	50
FBS 5-3,5	3213043	50
FBS 10-3,5	3213056	50
FBS 20-3,5	3213069	50
ATP-STTB 4	3030747	50
MPS-MT	0201744	10
MPS-IH RD	0201676	10
PS-5	3030983	10
SZF 0-0,4X2,5	1204504	10

Accessories		
D-STTBS 2,5	3038503	50
ISH 2,5/0,2	3002843	50
ISH 2,5/0,5	3002856	50
ISH 2,5/1,0	3002869	50
FBS 2-5	3030161	50
FBS 3-5	3030174	50
FBS 4-5	3030187	50
FBS 5-5	3030190	50
FBS 10-5	3030213	10
FBS 20-5	3030226	10
ATP-STTB 4	3030747	50
PAI-4-N GY	3032871	10
MPS-MT	0201744	10
MPS-IH RD	0201676	10
PS-5	3030983	10
SZF 1-0,6X3,5	1204517	10

UC-TM 5, UCT-TM 5 or ZB 5
(see Catalog 5)
UC-TMF 5, UCT-TMF 5 or ZBF 5
(see Catalog 5)

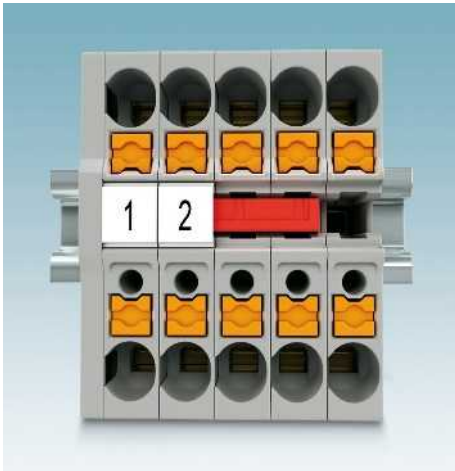
UCT-TM 3,5 or ZB 3,5
(see Catalog 5)
UCT-TMF 3,5 or ZBF 3,5
(see Catalog 5)

UC-TM 5, UCT-TM 5 or ZB 5
(see Catalog 5)
UC-TMF 5, UCT-TMF 5 or ZBF 5
(see Catalog 5)

Modular terminal blocks - CLIPLINE complete

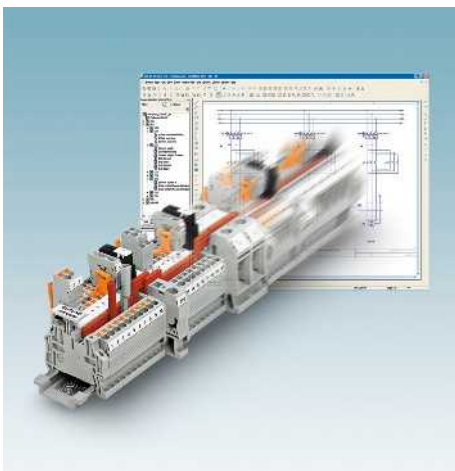
PT push-in connection terminal blocks

MPT ... mini feed-through and ground terminal blocks, for mounting on NS 15



- Save space and can be used in smaller control boxes
- Ideal for connecting smaller motors and wiring in the lower power spectrum
- Simple bridging and potential distribution using the patented plug-in bridges of the CLIPLINE complete system
- Ground terminal block of the same shape makes contact when simply snapped on and meets the high requirements of IEC 60947-7-2

CLIP PROJECT Planning enables the quick and convenient planning and configuration of fault-free terminal strips.



Notes:
For current carrying capacity of DIN rails, see page 716.
A plug-in version is described in the "COMBI plug-in connection solutions" section; see page 348.



1.5 (1.5) mm², 17.5 A, mini feed-through terminal block

Dimensions	
	[mm]
Max. electrical data	
Rated data	
Rated voltage	[V]
Nominal current / cross section	[A] / [mm ²]
Rated cross section	[mm ²]
Cross section range	AWG
Connection capacity	
1 conductor	[mm ²]
Two stranded conductors with a TWIN ferrule	[mm ²]
Direct plug-in connection cross sections	[mm ²]
General data	
Stripping length	[mm]
Insulating material	
Inflammability class according to UL 94	

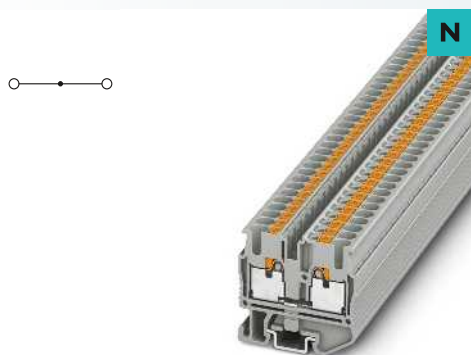
Technical data				
Width	Length	Height NS 15		
3.5	33.55	28.1		
I _{max} [A]	U _{max} [V]	max. Ø [mm ²]	AWG	
17.5	500	0.14 - 1.5	26 - 14	
IEC 60947-7-1				
IEC	UL/CUL	CSA	IEC/EN 60079-7	
Rated voltage	500	-	-	-
Nominal current / cross section	17.5 / 1.5	- / -	-	-
Rated cross section	1.5	-	-	-
Cross section range	26 - 14	-	-	-
Connection capacity		solid	stranded	Ferrule
		Without / with plastic sleeve		
1 conductor	0.14 - 1.5	0.14 - 1.5	0.14 - 1.5	0.14 - 1
Two stranded conductors with a TWIN ferrule				
Direct plug-in connection cross sections	0.25 - 1.5	-	0.34 - 1.5	0.34 - 1
General data				
Stripping length	8			
Insulating material	PA			
Inflammability class according to UL 94	V0			

Description	No. of pos.	Color
Terminal block, for mounting on NS 15		gray blue
Ground terminal block, for mounting on NS 15		green-yellow

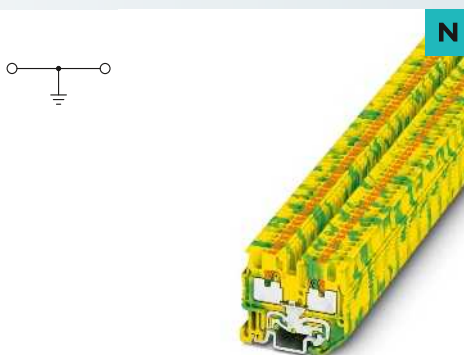
Ordering data		
Type	Order No.	Pcs. / Pkt.
MPT 1,5/S	3248100	50
MPT 1,5/S BU	3248101	50

Cover, width 2.2 mm	gray
Insulation stop sleeve, cross section range:	
0.08 - 0.2 mm ²	white
0.25 - 0.5 mm ²	gray
0.75 - 1 mm ²	black
Plug-in bridge	
	2 red
	3 red
	4 red
	5 red
	10 red
	20 red
Partition plate, 2 mm width	gray
Test plug metal part, 2.3 mm Ø	
Insulating sleeve, for MPS metal part	red
Modular test plug, for the individual assembly of test plug strips	red
Screwdriver	
Center and lateral groove labeling	

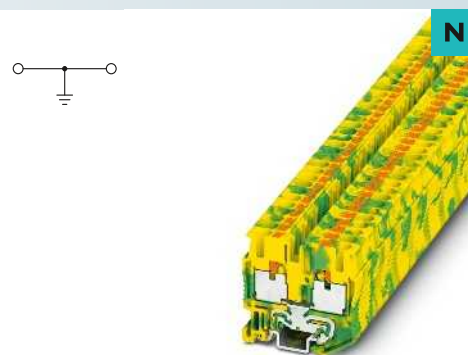
Accessories		
D-MPT 1,5/S	Order No.	Pcs. / Pkt.
	3248120	50
FBS 2-3,5	3213014	50
FBS 3-3,5	3213027	50
FBS 4-3,5	3213030	50
FBS 5-3,5	3213043	50
FBS 10-3,5	3213056	50
FBS 20-3,5	3213069	50
ATP-ST 4	3030721	50
MPS-MT	0201744	10
MPS-IH RD	0201676	10
SZF 0-0,4X2,5	1204504	10
UCT-TMF 3,5 or ZBF 3,5 (see Catalog 5)		



2.5 (4) mm², 30 A, mini feed-through terminal block



1.5 (1.5) mm², mini ground terminal block



2.5 (4) mm², mini ground terminal block

Technical data			
Width	Length	Height NS 15	
5.2	36	32.3	
I_{max} [A]	U_{max} [V]	max. Ø [mm ²]	AWG
30	500	0.14 - 4	26 - 12
IEC 60947-7-1			
IEC	UL/CUL	CSA	IEC/EN 60079-7
500	-	-	-
24 / 2.5	- / -	-	-
2.5	-	-	-
26 - 12	-	-	-
solid	stranded	Ferrule Without / with plastic sleeve	
0.14 - 4	0.14 - 2.5	0.14 - 2.5	0.14 - 2.5 0.5
0.34 - 4	-	0.34 - 2.5	0.34 - 2.5
10	PA	V0	

Technical data			
Width	Length	Height NS 15	
3.5	33.55	28.1	
I_{max} [A]	U_{max} [V]	max. Ø [mm ²]	AWG
-	-	0.14 - 1.5	26 - 14
IEC 60947-7-2			
IEC	UL/CUL	CSA	IEC/EN 60079-7
-	-	-	-
-	- / -	-	-
1.5	-	-	-
26 - 14	-	-	-
solid	stranded	Ferrule Without / with plastic sleeve	
0.14 - 1.5	0.14 - 1.5	0.14 - 1.5	0.14 - 1
0.25 - 1.5	-	0.34 - 1.5	0.34 - 1
8	PA	V0	

Technical data			
Width	Length	Height NS 15	
5.2	36	32.3	
I_{max} [A]	U_{max} [V]	max. Ø [mm ²]	AWG
-	-	0.14 - 4	26 - 12
IEC 60947-7-2			
IEC	UL/CUL	CSA	IEC/EN 60079-7
-	-	-	-
-	- / -	-	-
2.5	-	-	-
26 - 12	-	-	-
solid	stranded	Ferrule Without / with plastic sleeve	
0.14 - 4	0.14 - 2.5	0.14 - 2.5	0.14 - 2.5 0.5
0.34 - 4	-	0.34 - 2.5	0.34 - 2.5
10	PA	V0	

Ordering data		
Type	Order No.	Pcs. / Pkt.
MPT 2,5	3248125	50
MPT 2,5 BU	3248126	50

Ordering data		
Type	Order No.	Pcs. / Pkt.
MPT 1,5/S-PE	3248110	50

Ordering data		
Type	Order No.	Pcs. / Pkt.
MPT 2,5-PE	3248130	50

Accessories		
D-MPT 2,5	3248140	50
ISH 2,5/0,2	3002843	50
ISH 2,5/0,5	3002856	50
ISH 2,5/1,0	3002869	50
FBS 2-5	3030161	50
FBS 3-5	3030174	50
FBS 4-5	3030187	50
FBS 5-5	3030190	50
FBS 10-5	3030213	10
FBS 20-5	3030226	10
ATP-ST 4	3030721	50
MPS-MT	0201744	10
MPS-IH RD	0201676	10
PS-5	3030983	10
SZF 1-0,6X3,5	1204517	10

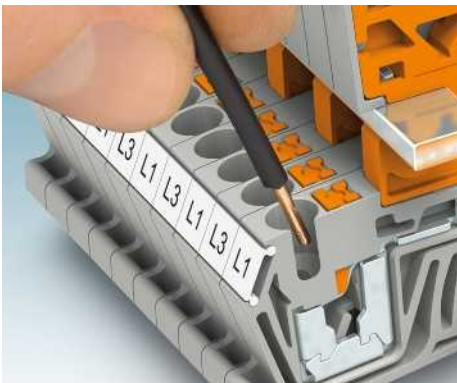
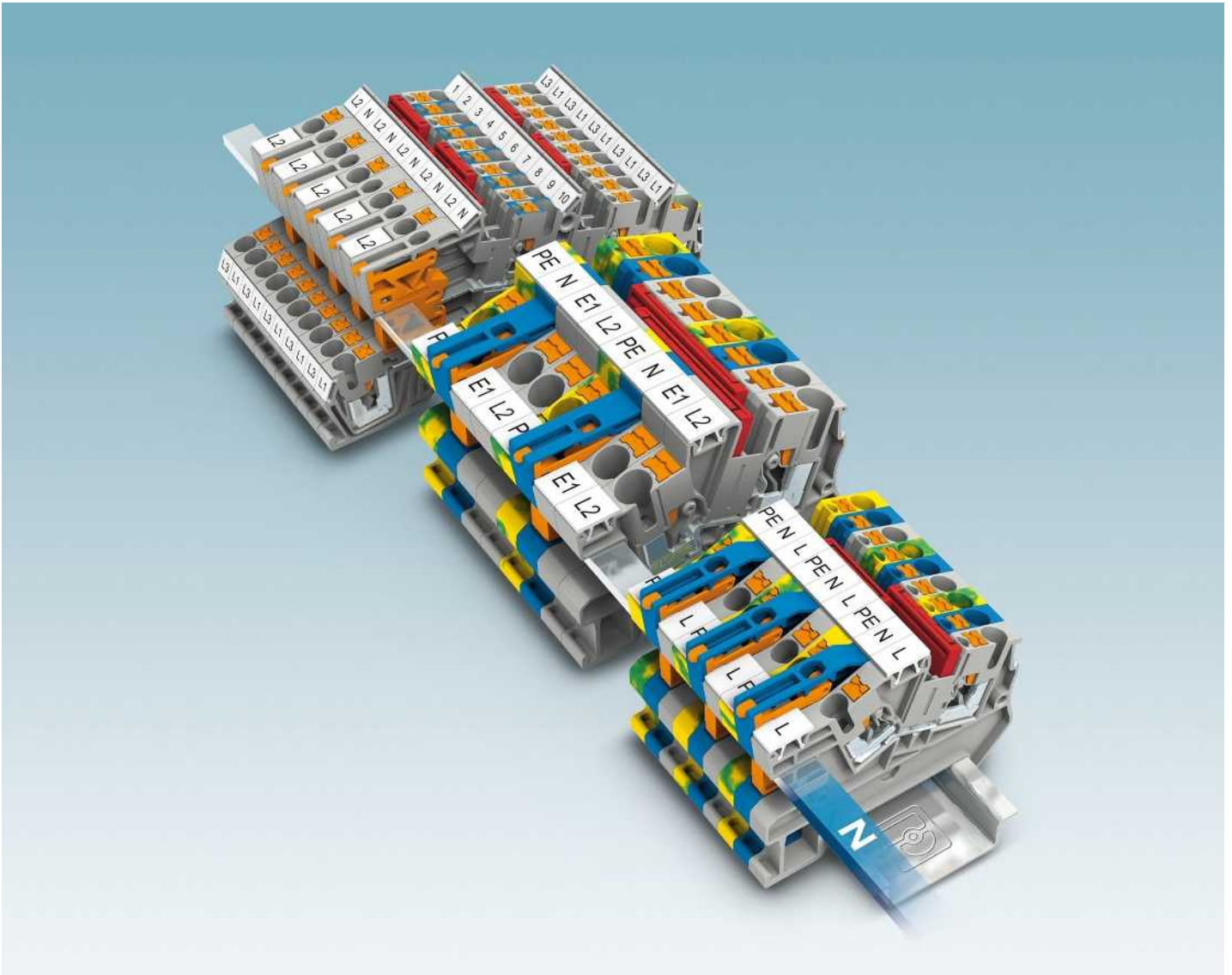
Accessories		
D-MPT 1,5/S	3248120	50
ATP-ST 4	3030721	50
MPS-MT	0201744	10
MPS-IH RD	0201676	10
SZF 0-0,4X2,5	1204504	10

Accessories		
D-MPT 2,5	3248140	50
ISH 2,5/0,2	3002843	50
ISH 2,5/0,5	3002856	50
ISH 2,5/1,0	3002869	50
ATP-ST 4	3030721	50
MPS-MT	0201744	10
MPS-IH RD	0201676	10
PS-5	3030983	10
SZF 1-0,6X3,5	1204517	10

UC-TMF 5, UCT-TMF 5 or ZBF 5 (see Catalog 5)

UCT-TMF 3,5 or ZBF 3,5 (see Catalog 5)

UC-TMF 5, UCT-TMF 5 or ZBF 5 (see Catalog 5)



Strip, insert, and you're done!

Given the limited space for wiring with this installation method, simple handling is a key benefit. The up to 50 percent reduction in insertion force offered by the new push-in connection method supports simple and direct insertion of solid and stranded conductors featuring ferrules with a cross section of 0.34 mm² or higher.



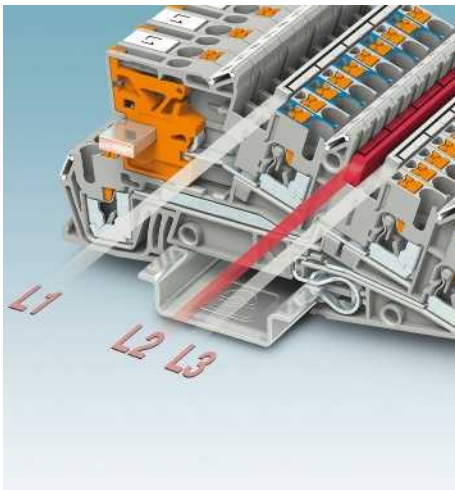
Fully-insulated actuation

The integrated latch allows you to release connections with any type of tool – easily and without direct contact with live parts.



Clear labeling

Large and clear marking is essential for reliable and quick installation. Every terminal point in the new push-in installation terminal blocks can be clearly labeled and clearly seen in every terminal block installation position in the installation distributor.



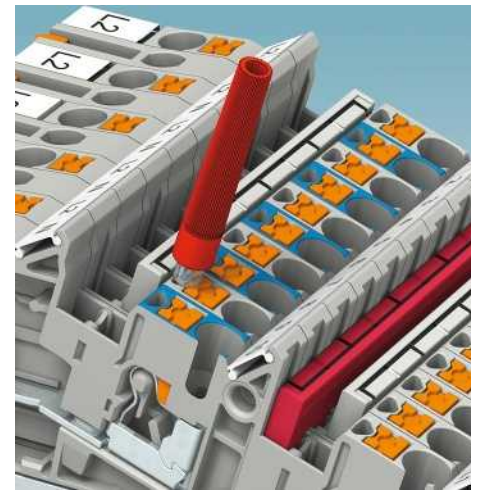
Double function shaft

Two function shafts are provided per level to allow fast and individual potential distribution. Cross connections can be reproduced any number of times with the standard bridges from the CLIPLINE complete system, e.g., three-phase systems with L1/L2/L3 potentials within a terminal strip.



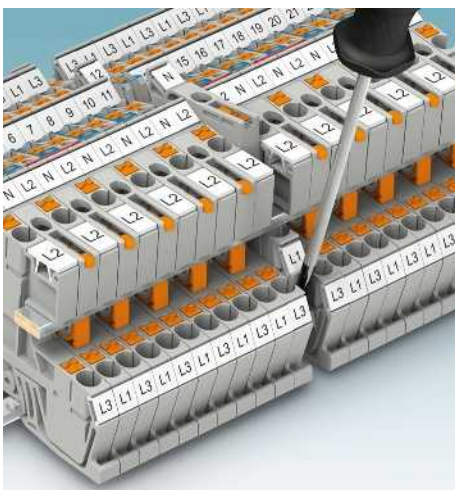
Fast and safe neutral conductor disconnect connection

All push-in neutral conductor disconnect terminal blocks are fitted with a robust, screwless disconnect slide. When this is levered over with a standard screwdriver, the contact fork slides onto the busbar. Engaging the slide in the end positions provides additional protection against accidental actuation. The disconnect slide is clearly visible in the respective location.



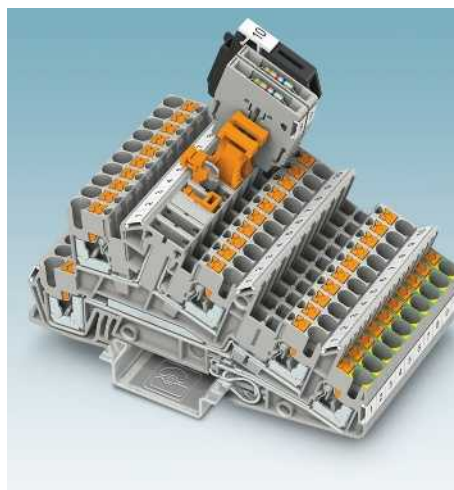
Testing facility on each terminal point

The CLIPLINE complete system features an extensive range of test accessories. All test plugs and adapters make contact in the function shaft. Furthermore, each terminal point has a 2.3 mm test contact. All measurement and test work can therefore be undertaken with ease and at speed with function shafts fitted with bridges.



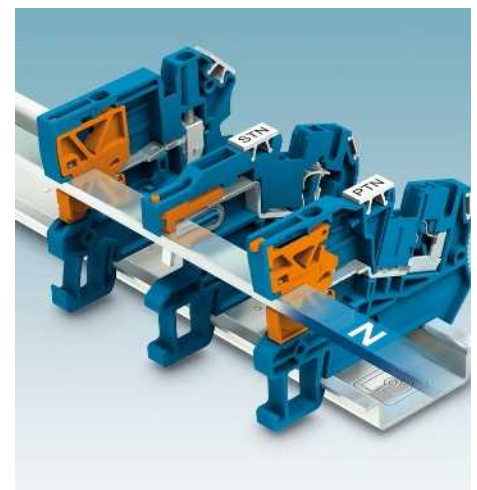
Easy to install

The push-in installation terminal blocks can be easily switched from the group, even once fitted, without the PEN conductor busbar having to be removed.



Safe individual circuit disconnection

Three-level terminal blocks with function blocks are available for special switching tasks. Disconnect element, component or fuse plugs can be easily and flexibly integrated in the standardized, universal disconnect zone. The terminal block versions with disconnect knife for individual circuit disconnection meet the safety requirements of DIN VDE 0100-718.



Any combination

All installation terminal blocks with the various STI ... spring-cage connection and UTI ... and PIK ... screw connections from Phoenix Contact can be combined in any way. The neutral busbar is on one level in all installation terminal blocks.

PTI push-in installation terminal blocks

PTI ... installation terminal blocks

The push-in installation terminal blocks are characterized by the system features of the CLIPLINE complete system and the following features:

- The new push-in connection method supports simple and direct insertion of solid and stranded conductors featuring ferrules with a cross section of 0.34 mm² or higher
- Compact design tailored to installation distributor
- Every terminal point can be clearly labeled and clearly seen in every terminal block installation position
- As well the testing facility in the function shaft, each terminal point has a test contact
- Compatible with all Phoenix Contact installation terminal blocks

Terminal strip service

We manufacture fully pre-assembled terminal strips for fitting straight in the installation distributor. This simplifies installation, saves time, and cuts costs.

CLIP PROJECT Planning enables the quick and convenient planning and configuration of fault-free terminal strips.

Notes:

Assembly instructions:

For secure fastening of the neutral busbar, supports must be set at the beginning and end of each terminal strip as well as every 20 cm on longer terminal strips.



4 (4) mm², 24 A, feed-through terminal block

Dimensions	
	[mm]
Max. electrical data	
	[mm]
Rated data	
Rated voltage	[V]
Nominal current / cross section	[A] / [mm ²]
Rated cross section	[mm ²]
Cross section range	AWG
Connection capacity	
1 conductor	[mm ²]
Two stranded conductors with a TWIN ferrule	[mm ²]
Direct plug-in connection cross sections	[mm ²]
General data	
Stripping length	[mm]
Insulating material	
Inflammability class according to UL 94	



Technical data

Width	Length	Height NS 35/7,5		
5.2	59.5	44		
I _{max} [A]	U _{max} [V]	max. Ø [mm ²]	AWG	
24	800	0.14 - 4	26 - 12	
IEC 60947-7-1				
IEC	UL/CUL	CSA	IEC/EN 60079-7	
800	600	-	-	
24 / 4	20 / -	-	-	
4	-	-	-	
26 - 12	26-12	-	-	
Connection capacity		Ferrule		
solid	stranded	Without / with plastic sleeve		
0.14 - 4	0.14 - 4	0.14 - 2.5	0.14 - 2.5	
			0.5	
0.34 - 4	-	0.34 - 2.5	0.34 - 2.5	
General data				
Stripping length	[mm]	10		
Insulating material		PA		
Inflammability class according to UL 94		V0		

Description	No. of pos.	Color
Terminal block, for mounting on NS 35...		gray blue

Ordering data

Type	I _{max}	Order No.	Pcs. / Pkt.
PTI 2,5		3213968	50
PTI 2,5 BU		3213969	50

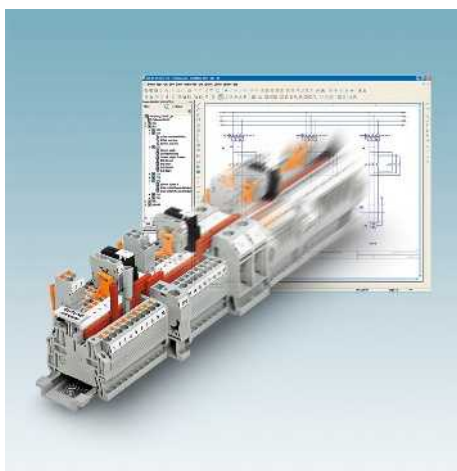
Cover, width 2.2 mm		gray
Insulation stop sleeve, cross section range:		
0.08 - 0.2 mm ²		white
0.25 - 0.5 mm ²		gray
0.75 - 1 mm ²		black
Plug-in bridge		
	2	red
	3	red
	4	red
	5	red
	10	red
	20	red
PEN conductor busbar, 3 x 10 mm, 1 m long, material: copper, tin-plated, nominal current: 140 A		silver

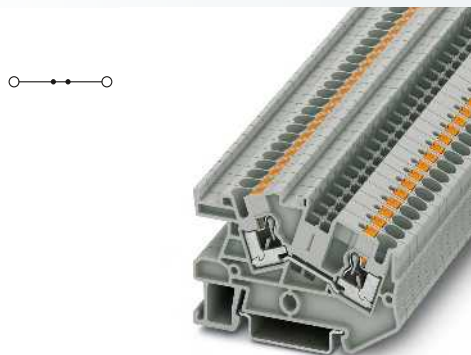
Accessories

D-DTI 2,5		3034824	50
ISH 2,5/0,2		3002843	50
ISH 2,5/0,5		3002856	50
ISH 2,5/1,0		3002869	50
FBS 2-5	24 A	3030161	50
FBS 3-5	24 A	3030174	50
FBS 4-5	24 A	3030187	50
FBS 5-5	24 A	3030190	50
FBS 10-5	24 A	3030213	10
FBS 20-5	24 A	3030226	10
NLS-CU 3/10 SN 1000MM	140 A	0402174	10
PAI-4-N GY		3032871	10
MPS-MT		0201744	10
MPS-IH RD		0201676	10
PS-5		3030983	10
AB-PTI		3214006	50
SZF 1-0,6X3,5		1204517	10

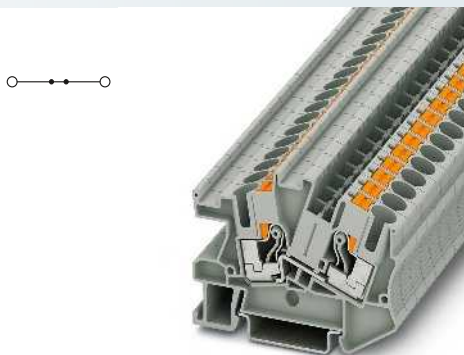
Test adapter, 4-mm test socket hole		gray
Test plug metal part, 2.3 mm Ø		
Insulating sleeve, for MPS metal part		red
Modular test plug, for the individual assembly of test plug strips		red
Support, blue insulating material, for holding the neutral busbar, must be set every 20 cm, 2 mm wide		blue
Screwdriver		

Center groove labeling	UC-TM 5, UCT-TM 5 or ZB 5 (see Catalog 5)
Center and lateral groove labeling	UC-TMF 5, UCT-TMF 5 or ZBF 5 (see Catalog 5)





4 (6) mm², 32 A, feed-through terminal block



6 (10) mm², 41 A, feed-through terminal block

Technical data			
Width	Length	Height NS 35/7,5	
6.2	66	44	
I_{max} [A]	U_{max} [V]	max. Ø [mm²]	AWG
32	800	0.2 - 6	24 - 10
IEC 60947-7-1			
IEC	UL/CUL	CSA	IEC/EN 60079-7
800	-	-	-
32 / 4	- / -	-	-
4	-	-	-
24 - 10	-	-	-
solid	stranded	Ferrule Without / with plastic sleeve	
0.2 - 6	0.2 - 4	0.25 - 4	0.25 - 4 0.5 - 1
0.5 - 6	-	0.5 - 4	0.5 - 4
12			
PA			
V0			

Technical data			
Width	Length	Height NS 35/7,5	
8.2	66	50	
I_{max} [A]	U_{max} [V]	max. Ø [mm²]	AWG
41	800	0.5 - 10	20 - 8
IEC 60947-7-1			
IEC	UL/CUL	CSA	IEC/EN 60079-7
800	-	-	-
41 / 6	- / -	-	-
6	-	-	-
20 - 8	-	-	-
solid	stranded	Ferrule Without / with plastic sleeve	
0.5 - 10	0.5 - 6	0.5 - 6	0.5 - 6 0.5 - 1.5
1 - 10	-	1 - 6	1 - 6
12			
PA			
V0			

Ordering data			
Type	I_{max}	Order No.	Pcs. / Pkt.
PTI 4		3213970	50
PTI 4 BU		3213971	50

Ordering data			
Type	I_{max}	Order No.	Pcs. / Pkt.
PTI 6		3213972	50
PTI 6 BU		3213973	50

Accessories			
D-DTI 4		3034895	50
ISH 4/0,5		3002885	50
ISH 4/1,0		3002898	50
FBS 2-6	32 A	3030336	50
FBS 3-6	32 A	3030242	50
FBS 4-6	32 A	3030255	50
FBS 5-6	32 A	3030349	50
FBS 10-6	32 A	3030271	10
FBS 20-6	32 A	3030365	10
NLS-CU 3/10 SN 1000MM	140 A	0402174	10
PAI-4-N GY		3032871	10
MPS-MT		0201744	10
MPS-IH RD		0201676	10
PS-6		3030996	10
AB-PTI		3214006	50
SZF 1-0,6X3,5		1204517	10

Accessories			
D-DTI 6		3034947	50
FBS 2-8	41 A	3030284	10
FBS 3-8	41 A	3030297	10
FBS 4-8	41 A	3030307	10
FBS 5-8	41 A	3030310	10
FBS 10-8	41 A	3030323	10
NLS-CU 3/10 SN 1000MM	140 A	0402174	10
PAI-4-N GY		3032871	10
MPS-MT		0201744	10
MPS-IH RD		0201676	10
PS-8		3031005	10
AB-PTI 6		3214008	50
SZF 2-0,8X4,0		1204520	10

UC-TM 6, UCT-TM 6 or ZB 6
(see Catalog 5)
UC-TMF 6, UCT-TMF 6 or ZBF 6
(see Catalog 5)

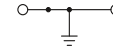
UC-TM 8, UCT-TM 8 or ZB 8
(see Catalog 5)
UC-TMF 8, UCT-TMF 8 or ZBF 8
(see Catalog 5)

PTI push-in installation terminal blocks

PTI ...-PE installation ground terminal blocks

- Same shape and pitch as the feed-through terminal blocks
- Contact is made free from mechanical and electrical errors by simply snapping onto the DIN rail
- All the requirements of standard IEC 60947-7-2 are met

Notes:
For current carrying capacity of DIN rails, see page 716.



4 (4) mm², ground terminal block



Dimensions	
	[mm]
Max. electrical data	
Rated data	
Rated voltage	[V]
Nominal current / cross section	[A] / [mm ²]
Rated cross section	[mm ²]
Cross section range	AWG
Connection capacity	
1 conductor	[mm ²]
Two stranded conductors with a TWIN ferrule	[mm ²]
Direct plug-in connection cross sections	[mm ²]
General data	
Stripping length	[mm]
Insulating material	
Inflammability class according to UL 94	

Technical data			
Width	Length	Height NS 35/7,5	
5,2	59,5	44	
		max. Ø [mm ²]	AWG
		0.14 - 4	26 - 12
IEC 60947-7-2			
IEC	UL/CUL	CSA	IEC/EN 60079-7
-	-	-	-
-	-/-	-	-
4	-	-	-
26 - 12	26-12	-	-
Connection capacity		Ferrule	
		Without / with plastic sleeve	
1 conductor	0.14 - 4	0.14 - 4	0.14 - 2.5 0.14 - 2.5
Two stranded conductors with a TWIN ferrule	-	-	0.5
Direct plug-in connection cross sections	0.34 - 4	-	0.34 - 2.5 0.34 - 2.5
General data			
Stripping length	10		
Insulating material	PA		
Inflammability class according to UL 94	V0		

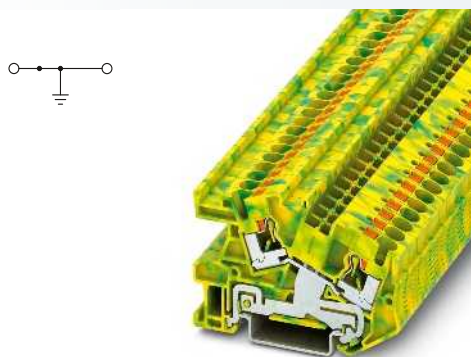
Description	No. of pos.	Color
Ground terminal block , for mounting on NS 35...		green-yellow

Ordering data			
Type	I _{max}	Order No.	Pcs. / Pkt.
PTI 2,5-PE		3213962	50

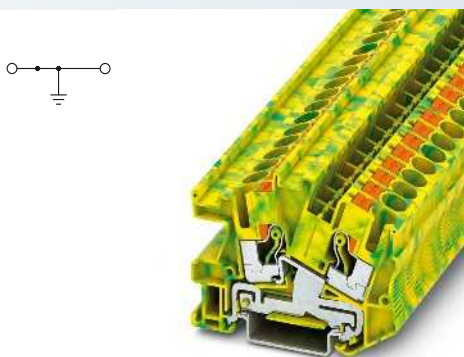
Cover , width 2.2 mm	gray
Insulation stop sleeve , cross section range:	
0.08 - 0.2 mm ²	white
0.25 - 0.5 mm ²	gray
0.75 - 1 mm ²	black
Plug-in bridge	
	2 red
	3 red
	4 red
	5 red
	10 red
	20 red
PEN conductor busbar , 3 x 10 mm, 1 m long, material: copper, tin-plated, nominal current: 140 A	silver
Test adapter , 4-mm test socket hole	gray
Test plug metal part , 2.3 mm Ø	
Insulating sleeve , for MPS metal part	red
Modular test plug , for the individual assembly of test plug strips	red
Support , blue insulating material, for holding the neutral busbar, must be set every 20 cm, 2 mm wide	blue
Screwdriver	

Accessories			
D-DTI 2,5		3034824	50
ISH 2,5/0,2		3002843	50
ISH 2,5/0,5		3002856	50
ISH 2,5/1,0		3002869	50
FBS 2-5		3030161	50
FBS 3-5		3030174	50
FBS 4-5		3030187	50
FBS 5-5		3030190	50
FBS 10-5		3030213	10
FBS 20-5		3030226	10
NLS-CU 3/10 SN 1000MM	140 A	0402174	10
PAI-4-N GY		3032871	10
MPS-MT		0201744	10
MPS-IH RD		0201676	10
PS-5		3030983	10
AB-PTI		3214006	50
SZF 1-0,6X3,5		1204517	10

Center groove labeling	UC-TM 5, UCT-TM 5 or ZB 5 (see Catalog 5)
Center and lateral groove labeling	UC-TMF 5, UCT-TMF 5 or ZBF 5 (see Catalog 5)



4 (6) mm², ground terminal block



6 (10) mm², ground terminal block

Technical data			
Width	Length	Height NS 35/7,5	
6.2	65.9	44	
		max. Ø [mm ²]	AWG
		0.2 - 6	24 - 10
IEC 60947-7-2			
IEC	UL/CUL	CSA	IEC/EN 60079-7
-	-	-	-
-	-/-	-	-
4	-	-	-
24 - 10	-	-	-
solid	stranded	Ferrule Without / with plastic sleeve	
0.2 - 6	0.2 - 4	0.25 - 4	0.25 - 4 0.5 - 1
0.5 - 6	-	0.5 - 4	0.5 - 4
12			
PA			
V0			

Technical data			
Width	Length	Height NS 35/7,5	
8.2	66	50	
		max. Ø [mm ²]	AWG
		0.5 - 10	20 - 8
IEC 60947-7-2			
IEC	UL/CUL	CSA	IEC/EN 60079-7
-	-	-	-
-	-/-	-	-
6	-	-	-
20 - 8	-	-	-
solid	stranded	Ferrule Without / with plastic sleeve	
0.5 - 10	0.5 - 6	0.5 - 6	0.5 - 6 0.5 - 1.5
1 - 10	-	1 - 6	1 - 6
12			
PA			
V0			

Ordering data			
Type	I _{max}	Order No.	Pcs. / Pkt.
PTI 4-PE		3213964	50

Ordering data			
Type	I _{max}	Order No.	Pcs. / Pkt.
PTI 6-PE		3213966	50

Accessories			
D-DTI 4		3034895	50
ISH 4/0,5		3002885	50
ISH 4/1,0		3002898	50
FBS 2-6		3030336	50
FBS 3-6		3030242	50
FBS 4-6		3030255	50
FBS 5-6		3030349	50
FBS 10-6		3030271	10
FBS 20-6		3030365	10
NLS-CU 3/10 SN 1000MM	140 A	0402174	10
PAI-4-N GY		3032871	10
MPS-MT		0201744	10
MPS-IH RD		0201676	10
PS-6		3030996	10
AB-PTI		3214006	50
SZF 1-0,6X3,5		1204517	10

Accessories			
D-DTI 6		3034947	50
FBS 2-8		3030284	10
FBS 3-8		3030297	10
FBS 4-8		3030307	10
FBS 5-8		3030310	10
FBS 10-8		3030323	10
NLS-CU 3/10 SN 1000MM	140 A	0402174	10
PAI-4-N GY		3032871	10
MPS-MT		0201744	10
MPS-IH RD		0201676	10
PS-8		3031005	10
AB-PTI 6		3214008	50
SZF 2-0,8X4,0		1204520	10

UC-TM 6, UCT-TM 6 or ZB 6
(see Catalog 5)
UC-TMF 6, UCT-TMF 6 or ZBF 6
(see Catalog 5)

UC-TM 8, UCT-TM 8 or ZB 8
(see Catalog 5)
UC-TMF 8, UCT-TMF 8 or ZBF 8
(see Catalog 5)

PTI push-in installation terminal blocks

PTN ... neutral conductor disconnect terminal blocks

All neutral conductor disconnect terminal blocks are fitted with a screwless disconnect slide and offer:

- Fast and reliable neutral conductor disconnect
- Secure latching of slide in end positions
- Clear view of the slide position

Notes:
Assembly instructions: For secure fastening of the neutral busbar, supports must be set at the beginning and end of each terminal strip as well as every 20 cm on longer terminal strips.
For L/N/PE AKG ... connection terminal blocks, see page 94.



4 (4) mm², 24 A, neutral disconnect terminal block



Dimensions	
	[mm]
Max. electrical data	
Rated data	
Rated voltage	[V]
Nominal current / cross section	[A] / [mm ²]
Rated cross section	[mm ²]
Cross section range	AWG
Connection capacity	
1 conductor	[mm ²]
Two stranded conductors with a TWIN ferrule	[mm ²]
Direct plug-in connection cross sections	[mm ²]
General data	
Stripping length	[mm]
Insulating material	
Inflammability class according to UL 94	

Technical data				
Width	Length	Height NS 35/7,5		
5,2	59	46,3		
I _{max} [A]	U _{max} [V]	max. Ø [mm ²]	AWG	
24	250	0.14 - 4	26 - 12	
IEC 60947-7-1				
IEC	UL/CUL	CSA	IEC/EN 60079-7	
250	600	-	-	
24 / 2,5	20 / -	-	-	
4	-	-	-	
26 - 12	26-12	-	-	
solid		stranded		Ferrule
		Without / with plastic sleeve		
0.14 - 4	0.14 - 4	0.14 - 2.5	0.14 - 2.5	
			0.5	
0.34 - 4	-	0.34 - 2.5	0.34 - 2.5	

Description	No. of pos.	Color
Neutral disconnect terminal block, for mounting on NS 35...		blue

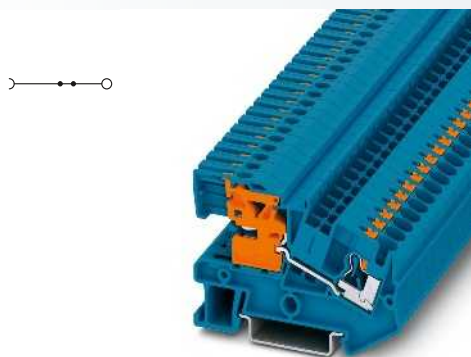
Ordering data			
Type	I _{max}	Order No.	Pcs. / Pkt.
PTN 2,5		3213963	50

Cover, width 2.2 mm		blue
Insulation stop sleeve, cross section range:		
0.08 - 0.2 mm ²		white
0.25 - 0.5 mm ²		gray
0.75 - 1 mm ²		black
Plug-in bridge		
	2	red
	3	red
	4	red
	5	red
	10	red
	20	red
PEN conductor busbar, 3 x 10 mm, 1 m long, material: copper, tin-plated, nominal current: 140 A		silver
Test adapter, 4-mm test socket hole		gray
Test plug metal part, 2.3 mm Ø		
Insulating sleeve, for MPS metal part		red
Modular test plug, for the individual assembly of test plug strips		red
Support, blue insulating material, for holding the neutral busbar, must be set every 20 cm, 2 mm wide		blue
Screwdriver		

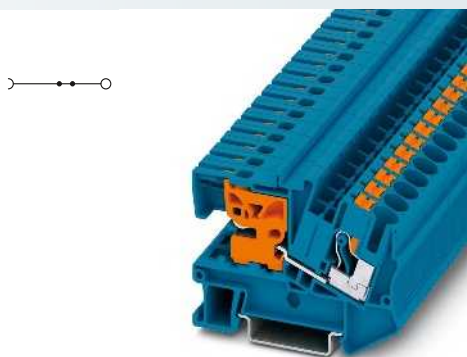
Accessories			
D-PTN 2,5		Order No.	Pcs. / Pkt.
		3213977	50
ISH 2,5/0,2		3002843	50
ISH 2,5/0,5		3002856	50
ISH 2,5/1,0		3002869	50
FBS 2-5	24 A	3030161	50
FBS 3-5	24 A	3030174	50
FBS 4-5	24 A	3030187	50
FBS 5-5	24 A	3030190	50
FBS 10-5	24 A	3030213	10
FBS 20-5	24 A	3030226	10
NLS-CU 3/10 SN 1000MM	140 A	0402174	10
PAI-4-N GY		3032871	10
MPS-MT		0201744	10
MPS-IH RD		0201676	10
PS-5		3030983	10
AB-PTI		3214006	50
SZF 1-0,6X3,5		1204517	10

Center groove labeling	UC-TM 5, UCT-TM 5 or ZB 5 (see Catalog 5)
Center and lateral groove labeling	UC-TMF 5, UCT-TMF 5 or ZBF 5 (see Catalog 5)

UC-TM 5, UCT-TM 5 or ZB 5 (see Catalog 5)
UC-TMF 5, UCT-TMF 5 or ZBF 5 (see Catalog 5)



4 (6) mm², 32 A, neutral disconnect terminal block



6 (10) mm², 41 A, neutral disconnect terminal block

Technical data			
Width	Length	Height NS 35/7,5	
6.2	66	46.3	
I _{max} [A]	U _{max} [V]	max. Ø [mm ²]	AWG
32	250	0.2 - 6	24 - 10
IEC 60947-7-1			
IEC	UL/CUL	CSA	IEC/EN 60079-7
250	-	-	-
32 / 4	- / -	-	-
4	-	-	-
24 - 10	-	-	-
solid	stranded	Ferrule Without / with plastic sleeve	
0.2 - 6	0.2 - 4	0.25 - 4	0.25 - 4 0.5 - 1
0.5 - 6	-	0.5 - 4	0.5 - 4
12	PA	V0	

Technical data			
Width	Length	Height NS 35/7,5	
8.2	66.3	50	
I _{max} [A]	U _{max} [V]	max. Ø [mm ²]	AWG
41	400	0.5 - 10	20 - 8
IEC 60947-7-1			
IEC	UL/CUL	CSA	IEC/EN 60079-7
400	-	-	-
41 / 6	- / -	-	-
6	-	-	-
20 - 8	-	-	-
solid	stranded	Ferrule Without / with plastic sleeve	
0.5 - 10	0.5 - 6	0.5 - 6	0.5 - 6 0.5 - 1.5
1 - 10	-	1 - 6	1 - 6
12	PA	V0	

Ordering data			
Type	I _{max}	Order No.	Pcs. / Pkt.
PTN 4		3213965	50

Ordering data			
Type	I _{max}	Order No.	Pcs. / Pkt.
PTN 6		3213967	50

Accessories			
D-PTN 4		3213978	50
ISH 4/0,5		3002885	50
ISH 4/1,0		3002898	50
FBS 2-6	32 A	3030336	50
FBS 3-6	32 A	3030242	50
FBS 4-6	32 A	3030255	50
FBS 5-6	32 A	3030349	50
FBS 10-6	32 A	3030271	10
FBS 20-6	32 A	3030365	10
NLS-CU 3/10 SN 1000MM	140 A	0402174	10
PAI-4-N GY		3032871	10
MPS-MT		0201744	10
MPS-IH RD		0201676	10
PS-6		3030996	10
AB-PTI		3214006	50
SZF 1-0,6X3,5		1204517	10

Accessories			
D-PTN 6		3213979	50
FBS 2-8	41 A	3030284	10
FBS 3-8	41 A	3030297	10
FBS 4-8	41 A	3030307	10
FBS 5-8	41 A	3030310	10
FBS 10-8	41 A	3030323	10
NLS-CU 3/10 SN 1000MM	140 A	0402174	10
PS-8		3031005	10
AB-PTI 6		3214008	50
SZF 2-0,8X4,0		1204520	10

UC-TM 6, UCT-TM 6 or ZB 6
(see Catalog 5)
UC-TMF 6, UCT-TMF 6 or ZBF 6
(see Catalog 5)

UC-TM 8, UCT-TM 8 or ZB 8
(see Catalog 5)
UC-TMF 8, UCT-TMF 8 or ZBF 8
(see Catalog 5)

PTI push-in installation terminal blocks

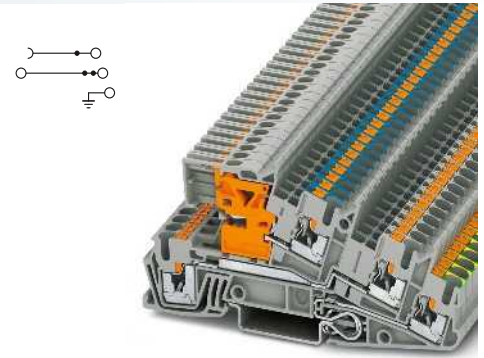
PTI ... three-level installation terminal blocks



- Optimum operating convenience with extremely compact design
- Quickly wire load circuits with a pitch of just 5.2 mm
- Double function shafts on all levels
- Every terminal point can be clearly labeled and clearly seen in every terminal block installation position

CLIP PROJECT Planning enables the quick and convenient planning and configuration of fault-free terminal strips.

Notes:
Assembly instructions: For secure fastening of the neutral busbar, supports must be set at the beginning and end of each terminal strip as well as every 20 cm on longer terminal strips.
For L/N/PE AKG ... connection terminal blocks and further accessories, see page 94.
1) 3-pos. termination block.



4 (4) mm², 30 A, three-level terminal block, 1 x L phase conductor, 1 x N conductor can be disconnected, 1 x PE



Dimensions		[mm]
Max. electrical data		
Rated data		
Rated voltage	[V]	400
Phase conductor / phase conductor	[V]	400
Phase conductor / PE	[V]	250
Phase conductor / N	[V]	250
Nominal current / cross section	[A] / [mm ²]	24 / 4
Rated cross section	[mm ²]	4
Cross section range	AWG	26 - 12
Connection capacity		
1 conductor	[mm ²]	0.14 - 4
Two stranded conductors with a TWIN ferrule	[mm ²]	0.14 - 4
Direct plug-in connection cross sections	[mm ²]	0.34 - 4
General data		
Stripping length	[mm]	10
Insulating material		PA
Inflammability class according to UL 94		V0

Technical data				
Width	Length	Height NS 35/7,5		
5.2	101	50.5		
I _{max} [A]	U _{max} [V]	max. Ø [mm ²]	AWG	
30 ¹⁾	400	0.14 - 4	26 - 12	
IEC	UL/CUL	CSA	IEC/EN 60079-7	
400	300	-	-	
400	-	-	-	
250	-	-	-	
250	-	-	-	
24 / 4	20 / -	-	-	
4	-	-	-	
26 - 12	26-12	-	-	
solid	stranded	Ferrule		
		Without / with plastic sleeve		
0.14 - 4	0.14 - 4	0.14 - 2.5	0.14 - 2.5	
		0.5		
0.34 - 4	-	0.34 - 2.5	0.34 - 2.5	

Description	No. of pos.	Color
Terminal block , for mounting on NS 35...		gray

Cover , width 2.2 mm		gray
Plug-in bridge		

	2	red
	3	red
	4	red
	5	red
	10	red
	20	red
PEN conductor busbar , 3 x 10 mm, 1 m long, material: copper, tin-plated, nominal current: 140 A		silver

Connection terminal block , steel, is pushed onto the NLS neutral busbar, can be labeled using ZB, with insulating cap, solid up to 16 mm ² , 10 mm wide		blue
--	--	------

Up to 35 mm ² solid, 14.3 mm wide		blue
Test plug metal part , 2.3 mm Ø		red

Insulating sleeve , for MPS metal part		red
---	--	-----

Modular test plug , for the individual assembly of test plug strips		red
--	--	-----

Support , to hold the neutral busbar, set every 20 cm, 2 mm wide		blue
---	--	------

Partition plate , 2.2 mm wide		gray
--------------------------------------	--	------

Screwdriver		
--------------------	--	--

Center groove labeling		
-------------------------------	--	--

Center and lateral groove labeling		
---	--	--

Ordering data			
Type	I _{max}	Order No.	Pcs. / Pkt.
PTI 2,5-PE/L/NT		3213946	50

Accessories			
-------------	--	--	--

D-PTI/3		3213975	50
----------------	--	---------	----

FBS 2-5	24 A	3030161	50
----------------	------	---------	----

FBS 3-5	24 A	3030174	50
----------------	------	---------	----

FBS 4-5	24 A	3030187	50
----------------	------	---------	----

FBS 5-5	24 A	3030190	50
----------------	------	---------	----

FBS 10-5	24 A	3030213	10
-----------------	------	---------	----

FBS 20-5	24 A	3030226	10
-----------------	------	---------	----

NLS-CU 3/10 SN 1000MM	140 A	0402174	10
------------------------------	-------	---------	----

AKG 16 BU		0423014	50
------------------	--	---------	----

AKG 35 BU		0424013	50
------------------	--	---------	----

MPS-MT		0201744	10
---------------	--	---------	----

MPS-IH RD		0201676	10
------------------	--	---------	----

PS-5		3030983	10
-------------	--	---------	----

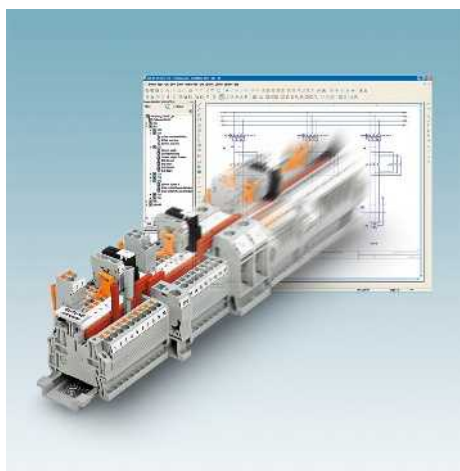
AB-PTI/3		3213974	50
-----------------	--	---------	----

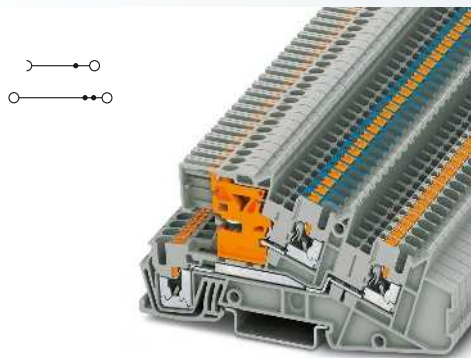
ATP-PTI/3		3213990	50
------------------	--	---------	----

SZF 1-0,6X3,5		1204517	10
----------------------	--	---------	----

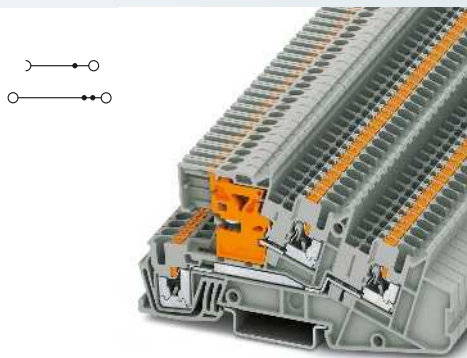
UC-TM 5, UCT-TM 5 or ZB 5 (see Catalog 5)			
---	--	--	--

UC-TMF 5, UCT-TMF 5 or ZBF 5 (see Catalog 5)			
--	--	--	--





4 (4) mm², 30 A, three-level terminal block, 1 x L phase conductor, 1 x N conductor can be disconnected



4 (4) mm², 30 A, three-level terminal block, 1 x L phase conductor, 1 x L phase conductor can be disconnected



Technical data			
Width	Length	Height NS 35/7,5	
5.2	101	50.5	
I_{max} [A]	U_{max} [V]	max. Ø [mm ²]	AWG
30 ¹⁾	400	0.14 - 4	26 - 12
IEC	UL/CUL	CSA	IEC/EN 60079-7
400	300	-	-
400	-	-	-
-	-	-	-
250	-	-	-
24 / 4	20 / -	-	-
4	-	-	-
26 - 12	26-12	-	-
solid	stranded	Ferrule Without / with plastic sleeve	
0.14 - 4	0.14 - 4	0.14 - 2.5	0.14 - 2.5 0.5
0.34 - 4	-	0.34 - 2.5	0.34 - 2.5
10	PA	V0	

Technical data			
Width	Length	Height NS 35/7,5	
5.2	101	50.5	
I_{max} [A]	U_{max} [V]	max. Ø [mm ²]	AWG
30 ¹⁾	400	0.14 - 4	26 - 12
IEC	UL/CUL	CSA	IEC/EN 60079-7
400	300	-	-
400	-	-	-
-	-	-	-
250	-	-	-
24 / 4	20 / -	-	-
4	-	-	-
26 - 12	26-12	-	-
solid	stranded	Ferrule Without / with plastic sleeve	
0.14 - 4	0.14 - 4	0.14 - 2.5	0.14 - 2.5 0.5
0.34 - 4	-	0.34 - 2.5	0.34 - 2.5
10	PA	V0	

Ordering data			
Type	I_{max}	Order No.	Pcs. / Pkt.
PTI 2,5-L/NT		3213947	50

Ordering data			
Type	I_{max}	Order No.	Pcs. / Pkt.
PTI 2,5-L/LT		3213948	50

Accessories			
D-PTI/3		3213975	50
FBS 2-5	24 A	3030161	50
FBS 3-5	24 A	3030174	50
FBS 4-5	24 A	3030187	50
FBS 5-5	24 A	3030190	50
FBS 10-5	24 A	3030213	10
FBS 20-5	24 A	3030226	10
NLS-CU 3/10 SN 1000MM	140 A	0402174	10
AKG 16 BU		0423014	50
AKG 35 BU		0424013	50
MPS-MT		0201744	10
MPS-IH RD		0201676	10
PS-5		3030983	10
AB-PTI/3		3213974	50
ATP-PTI/3		3213990	50
SZF 1-0,6X3,5		1204517	10

Accessories			
D-PTI/3		3213975	50
FBS 2-5	24 A	3030161	50
FBS 3-5	24 A	3030174	50
FBS 4-5	24 A	3030187	50
FBS 5-5	24 A	3030190	50
FBS 10-5	24 A	3030213	10
FBS 20-5	24 A	3030226	10
NLS-CU 3/10 SN 1000MM	140 A	0402174	10
AKG 16 BU		0423014	50
AKG 35 BU		0424013	50
MPS-MT		0201744	10
MPS-IH RD		0201676	10
PS-5		3030983	10
AB-PTI/3		3213974	50
ATP-PTI/3		3213990	50
SZF 1-0,6X3,5		1204517	10

UC-TM 5, UCT-TM 5 or ZB 5
(see Catalog 5)
UC-TMF 5, UCT-TMF 5 or ZBF 5
(see Catalog 5)

UC-TM 5, UCT-TM 5 or ZB 5
(see Catalog 5)
UC-TMF 5, UCT-TMF 5 or ZBF 5
(see Catalog 5)

Modular terminal blocks - CLIPLINE complete

PTI push-in installation terminal blocks

PTI ... three-level installation terminal blocks

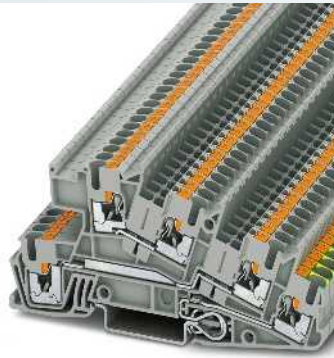
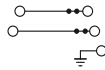
Notes:

Assembly instructions:

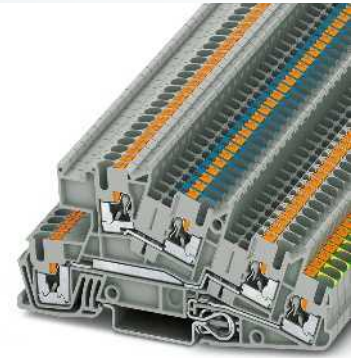
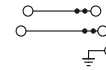
For secure fastening of the neutral busbar, supports must be set at the beginning and end of each terminal strip as well as every 20 cm on longer terminal strips.

For L/N/PE AKG ... connection terminal blocks and further accessories, see page 94.

1) 3-pos. termination block.



4 (4) mm², 30 A, three-level terminal block,
2 x L phase conductor, 1 x PE



4 (4) mm², 30 A, three-level terminal block,
1 x L phase conductor, 1 x N conductor, 1 x PE



Technical data				
Width	Length	Height NS 35/7,5		
5.2	101	50.5		
I_{max} [A]	U_{max} [V]	max. Ø [mm ²]	AWG	
30	400	0.14 - 4	26 - 12	
Rated data	IEC	UL/CUL	CSA	IEC/EN 60079-7
Rated voltage [V]	400	300	-	-
Phase conductor / phase conductor [V]	400	-	-	-
Phase conductor / PE [V]	250	-	-	-
Phase conductor / N [V]	-	-	-	-
Nominal current / cross section [A] / [mm ²]	24 / 4	20 / -	-	-
Rated cross section [mm ²]	4	-	-	-
Cross section range AWG	26 - 12	26-12	-	-
Connection capacity	solid	stranded	Ferrule Without / with plastic sleeve	
1 conductor [mm ²]	0.14 - 4	0.14 - 4	0.14 - 2.5	0.14 - 2.5
Two stranded conductors with a TWIN ferrule [mm ²]	-	-	-	0.5
Direct plug-in connection cross sections [mm ²]	0.34 - 4	-	0.34 - 2.5	0.34 - 2.5
General data				
Stripping length [mm]	10			
Insulating material	PA			
Inflammability class according to UL 94	V0			

Ordering data						
Description	No. of pos.	Color	Type	I_{max}	Order No.	Pcs. / Pkt.
Terminal block, for mounting on NS 35...		gray gray/blue	PTI 2,5-PE/L/L		3213949	50

Accessories						
Cover, width 2.2 mm	gray	D-PTI/3		3213975	50	
Plug-in bridge		FBS 2-5	24 A	3030161	50	
	2	red				
	3	red		3030174	50	
	4	red		3030187	50	
	5	red		3030190	50	
	10	red		3030213	10	
	20	red		3030226	10	
PEN conductor busbar, 3 x 10 mm, 1 m long, material: copper, tin-plated, nominal current: 140 A	silver	NLS-CU 3/10 SN 1000MM	140 A	0402174	10	
Connection terminal block, steel, is pushed onto the NLS neutral busbar, can be labeled using ZB, with insulating cap, solid up to 16 mm ² , 10 mm wide	blue	AKG 16 BU		0423014	50	
Up to 35 mm ² solid, 14.3 mm wide	blue	AKG 35 BU		0424013	50	
Test plug metal part, 2.3 mm Ø		MPS-MT		0201744	10	
Insulating sleeve, for MPS metal part	red	MPS-IH RD		0201676	10	
Modular test plug, for the individual assembly of test plug strips	red	PS-5		3030983	10	
Support, to hold the neutral busbar, set every 20 cm, 2 mm wide	blue	AB-PTI/3		3213974	50	
Partition plate, 2.2 mm wide	gray	ATP-PTI/3		3213990	50	
Screwdriver		SZF 1-0,6X3,5		1204517	10	

Center groove labeling	UC-TM 5, UCT-TM 5 or ZB 5 (see Catalog 5)
Center and lateral groove labeling	UC-TMF 5, UCT-TMF 5 or ZBF 5 (see Catalog 5)

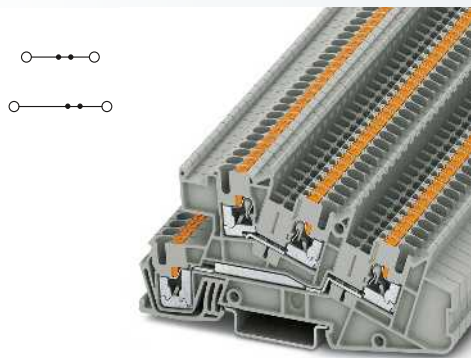


Technical data				
Width	Length	Height NS 35/7,5		
5.2	101	50.5		
I_{max} [A]	U_{max} [V]	max. Ø [mm ²]	AWG	
30	400	0.14 - 4	26 - 12	
Rated data	IEC	UL/CUL	CSA	IEC/EN 60079-7
Rated voltage [V]	400	300	-	-
Phase conductor / phase conductor [V]	400	-	-	-
Phase conductor / PE [V]	250	-	-	-
Phase conductor / N [V]	250	-	-	-
Nominal current / cross section [A] / [mm ²]	24 / 4	20 / -	-	-
Rated cross section [mm ²]	4	-	-	-
Cross section range AWG	26 - 12	26-12	-	-
Connection capacity	solid	stranded	Ferrule Without / with plastic sleeve	
1 conductor [mm ²]	0.14 - 4	0.14 - 4	0.14 - 2.5	0.14 - 2.5
Two stranded conductors with a TWIN ferrule [mm ²]	-	-	-	0.5
Direct plug-in connection cross sections [mm ²]	0.34 - 4	-	0.34 - 2.5	0.34 - 2.5
General data				
Stripping length [mm]	10			
Insulating material	PA			
Inflammability class according to UL 94	V0			

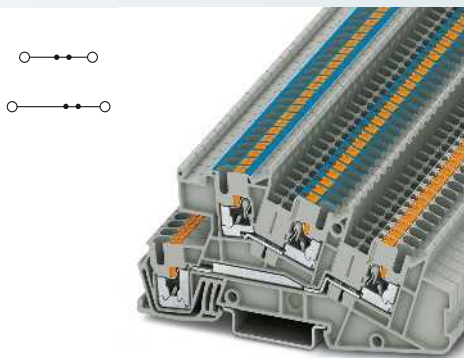
Ordering data						
Description	No. of pos.	Color	Type	I_{max}	Order No.	Pcs. / Pkt.
Terminal block, for mounting on NS 35...		gray gray/blue	PTI 2,5-PE/L/N		3213950	50

Accessories						
Cover, width 2.2 mm	gray	D-PTI/3		3213975	50	
Plug-in bridge		FBS 2-5	24 A	3030161	50	
	2	red				
	3	red		3030174	50	
	4	red		3030187	50	
	5	red		3030190	50	
	10	red		3030213	10	
	20	red		3030226	10	
PEN conductor busbar, 3 x 10 mm, 1 m long, material: copper, tin-plated, nominal current: 140 A	silver	NLS-CU 3/10 SN 1000MM	140 A	0402174	10	
Connection terminal block, steel, is pushed onto the NLS neutral busbar, can be labeled using ZB, with insulating cap, solid up to 16 mm ² , 10 mm wide	blue	AKG 16 BU		0423014	50	
Up to 35 mm ² solid, 14.3 mm wide	blue	AKG 35 BU		0424013	50	
Test plug metal part, 2.3 mm Ø		MPS-MT		0201744	10	
Insulating sleeve, for MPS metal part	red	MPS-IH RD		0201676	10	
Modular test plug, for the individual assembly of test plug strips	red	PS-5		3030983	10	
Support, to hold the neutral busbar, set every 20 cm, 2 mm wide	blue	AB-PTI/3		3213974	50	
Partition plate, 2.2 mm wide	gray	ATP-PTI/3		3213990	50	
Screwdriver		SZF 1-0,6X3,5		1204517	10	

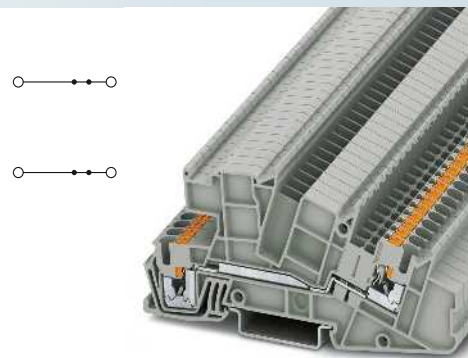
Center groove labeling	UC-TM 5, UCT-TM 5 or ZB 5 (see Catalog 5)
Center and lateral groove labeling	UC-TMF 5, UCT-TMF 5 or ZBF 5 (see Catalog 5)



4 (4) mm², 30 A, three-level terminal block,
2 x L phase conductor



4 (4) mm², 30 A, three-level terminal block,
1 x L phase conductor, 1 x N conductor



4 (4) mm², 30 A, three-level terminal block,
1 x L phase conductor



Technical data			
Width	Length	Height NS 35/7,5	
5.2	101	50.5	
I_{max} [A]	U_{max} [V]	max. \varnothing [mm ²]	AWG
30	400	0.14 - 4	26 - 12
IEC	UL/CUL	CSA	IEC/ EN 60079-7
400	300	-	-
400	-	-	-
-	-	-	-
24 / 4	20 / -	-	-
4	-	-	-
26 - 12	26-12	-	-
solid	stranded	Ferrule Without / with plastic sleeve	
0.14 - 4	0.14 - 4	0.14 - 2.5	0.14 - 2.5 0.5
0.34 - 4	-	0.34 - 2.5	0.34 - 2.5
10	PA	V0	

Technical data			
Width	Length	Height NS 35/7,5	
5.2	101	50.5	
I_{max} [A]	U_{max} [V]	max. \varnothing [mm ²]	AWG
30 ¹⁾	400	0.14 - 4	26 - 12
IEC	UL/CUL	CSA	IEC/ EN 60079-7
400	300	-	-
400	-	-	-
-	-	-	-
250	-	-	-
24 / 4	20 / -	-	-
4	-	-	-
26 - 12	26-12	-	-
solid	stranded	Ferrule Without / with plastic sleeve	
0.14 - 4	0.14 - 4	0.14 - 2.5	0.14 - 2.5 0.5
0.34 - 4	-	0.34 - 2.5	0.34 - 2.5
10	PA	V0	

Technical data			
Width	Length	Height NS 35/7,5	
5.2	101	50.5	
I_{max} [A]	U_{max} [V]	max. \varnothing [mm ²]	AWG
30	400	0.14 - 4	26 - 12
IEC	UL/CUL	CSA	IEC/ EN 60079-7
400	300	-	-
400	-	-	-
-	-	-	-
24 / 4	20 / -	-	-
4	-	-	-
26 - 12	26-12	-	-
solid	stranded	Ferrule Without / with plastic sleeve	
0.14 - 4	0.14 - 4	0.14 - 2.5	0.14 - 2.5 0.5
0.34 - 4	-	0.34 - 2.5	0.34 - 2.5
10	PA	V0	

Ordering data			
Type	I_{max}	Order No.	Pcs. / Pkt.
PTI 2,5-L/L		3213953	50

Ordering data			
Type	I_{max}	Order No.	Pcs. / Pkt.
PTI 2,5-L/N		3213954	50

Ordering data			
Type	I_{max}	Order No.	Pcs. / Pkt.
PTI 2,5-L		3213951	50
PTI 2,5-N		3213952	50

Accessories			
D-PTI/3		3213975	50
FBS 2-5	24 A	3030161	50
FBS 3-5	24 A	3030174	50
FBS 4-5	24 A	3030187	50
FBS 5-5	24 A	3030190	50
FBS 10-5	24 A	3030213	10
FBS 20-5	24 A	3030226	10
NLS-CU 3/10 SN 1000MM	140 A	0402174	10
AKG 16 BU		0423014	50
AKG 35 BU		0424013	50
MPS-MT		0201744	10
MPS-IH RD		0201676	10
PS-5		3030983	10
AB-PTI/3		3213974	50
ATP-PTI/3		3213990	50
SZF 1-0,6X3,5		1204517	10

Accessories			
D-PTI/3		3213975	50
FBS 2-5	24 A	3030161	50
FBS 3-5	24 A	3030174	50
FBS 4-5	24 A	3030187	50
FBS 5-5	24 A	3030190	50
FBS 10-5	24 A	3030213	10
FBS 20-5	24 A	3030226	10
NLS-CU 3/10 SN 1000MM	140 A	0402174	10
AKG 16 BU		0423014	50
AKG 35 BU		0424013	50
MPS-MT		0201744	10
MPS-IH RD		0201676	10
PS-5		3030983	10
AB-PTI/3		3213974	50
ATP-PTI/3		3213990	50
SZF 1-0,6X3,5		1204517	10

Accessories			
D-PTI/3		3213975	50
FBS 2-5	24 A	3030161	50
FBS 3-5	24 A	3030174	50
FBS 4-5	24 A	3030187	50
FBS 5-5	24 A	3030190	50
FBS 10-5	24 A	3030213	10
FBS 20-5	24 A	3030226	10
NLS-CU 3/10 SN 1000MM	140 A	0402174	10
AKG 16 BU		0423014	50
AKG 35 BU		0424013	50
MPS-MT		0201744	10
MPS-IH RD		0201676	10
PS-5		3030983	10
AB-PTI/3		3213974	50
ATP-PTI/3		3213990	50
SZF 1-0,6X3,5		1204517	10

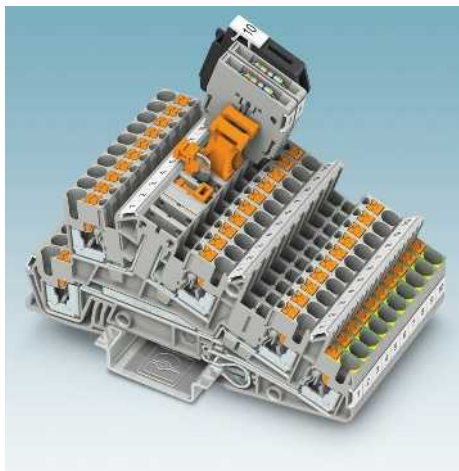
UC-TM 5, UCT-TM 5 or ZB 5
(see Catalog 5)
UC-TMF 5, UCT-TMF 5 or ZBF 5
(see Catalog 5)

UC-TM 5, UCT-TM 5 or ZB 5
(see Catalog 5)
UC-TMF 5, UCT-TMF 5 or ZBF 5
(see Catalog 5)

UC-TM 5, UCT-TM 5 or ZB 5
(see Catalog 5)
UC-TMF 5, UCT-TMF 5 or ZBF 5
(see Catalog 5)

PTI push-in installation terminal blocks

PTI ... three-level installation terminal blocks



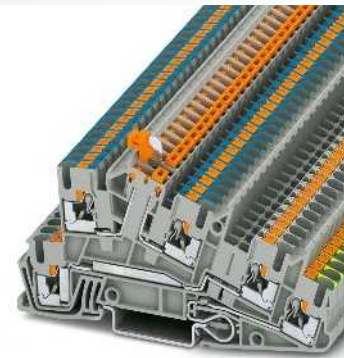
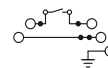
- Knife disconnect terminal block with a current carrying capacity of 16 A
- Seamless and can be double bridged for all tasks in time-saving potential supply and distribution
- Testing facility on both sides of the disconnect point
- Optimum operating convenience with extremely compact design
- Quickly wire load circuits with a pitch of just 5.2 mm
- Double function shafts on all levels
- Every terminal point can be clearly labeled and clearly seen in every terminal block installation position

S-MT switching lock

- The optional switching lock snaps in and effectively prevents accidental switching

Notes:

- 1) 3-pos. termination block.
- 2) Also see page 480.



4 (4) mm², 30 A, three-level terminal block, 1 x L phase conductor, 1 x N conductor can be disconnected, 1 x PE



Dimensions		[mm]	
Max. electrical data			
I_{max} [A]	U_{max} [V]	max. Ø [mm ²]	AWG
30 ¹⁾	400	0.14 - 4	26 - 12
Rated data			
Rated voltage	[V]	400	300
Phase conductor / phase conductor	[V]	400	-
Phase conductor / PE	[V]	250	-
Phase conductor / N	[V]	250	-
Nominal current / cross section	[A] / [mm ²]	24 / 4	20 / -
Rated cross section	[mm ²]	4	-
Cross section range	AWG	26 - 12	26-12
Disconnect level rated data			
IEC	UL/CUL	CSA	IEC/EN 60079-7
Nominal current / cross section	[A] / [mm ²]	16 / 1.5	20 / -
Connection capacity			
1 conductor	[mm ²]	0.14 - 4	0.14 - 4
Two stranded conductors with a TWIN ferrule	[mm ²]	-	0.14 - 2.5
Direct plug-in connection cross sections	[mm ²]	0.34 - 4	-
General data			
Stripping length	[mm]	10	
Insulating material		PA	
Inflammability class according to UL 94		V0	

Technical data				
Width	Length	Height NS 35/7,5		
5.2	101	50.5		
I_{max} [A]	U_{max} [V]	max. Ø [mm ²]	AWG	
30 ¹⁾	400	0.14 - 4	26 - 12	
IEC	UL/CUL	CSA	IEC/EN 60079-7	
16 / 1.5	20 / -	-	-	
Connection capacity		Ferrule		
		Without / with plastic sleeve		
1 conductor	Two stranded conductors with a TWIN ferrule	0.14 - 4	0.14 - 4	0.14 - 2.5
Direct plug-in connection cross sections		0.34 - 4	-	0.34 - 2.5
Stripping length	Insulating material	10	PA	V0

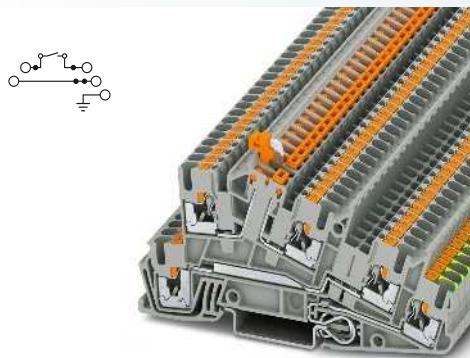
Description	No. of pos.	Color
Terminal block , for mounting on NS 35...		gray

Cover , width 2.2 mm		gray
Insulation stop sleeve , cross section range:		
0.08 - 0.2 mm ²		white
0.25 - 0.5 mm ²		gray
0.75 - 1 mm ²		black
Plug-in bridge		
	2	red
	3	red
	4	red
	5	red
	10	red
	20	red
Switching lock , plug-in ²⁾		white
Test plug metal part , 2.3 mm Ø		
Insulating sleeve , for MPS metal part		red
Modular test plug , for the individual assembly of test plug strips		red

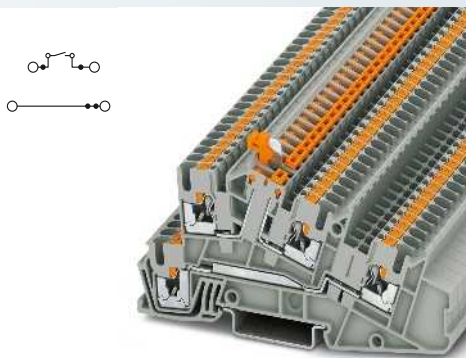
Screwdriver	Center and lateral groove labeling
SZF 1-0,6X3,5	UC-TMF 5, UCT-TMF 5 or ZBF 5 (see Catalog 5)

Ordering data			
Type	I_{max}	Order No.	Pcs. / Pkt.
PTI 2,5-PE/L/NTB		3213955	50

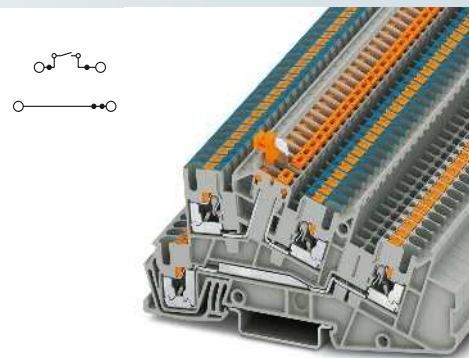
Accessories			
Type		Order No.	Pcs. / Pkt.
D-PTI/3B		3213976	50
ISH 2,5/0,2		3002843	50
ISH 2,5/0,5		3002856	50
ISH 2,5/1,0		3002869	50
FBS 2-5	24 A	3030161	50
FBS 3-5	24 A	3030174	50
FBS 4-5	24 A	3030187	50
FBS 5-5	24 A	3030190	50
FBS 10-5	24 A	3030213	10
FBS 20-5	24 A	3030226	10
S-MT		3247954	50
MPS-MT		0201744	10
MPS-IH RD		0201676	10
PS-5		3030983	10
SZF 1-0,6X3,5		1204517	10



4 (4) mm², 30 A, three-level terminal block, 1 x L phase conductor, 1 x L phase conductor can be disconnected, 1 x PE



4 (4) mm², 30 A, three-level terminal block, 1 x L phase conductor, 1 x L phase conductor can be disconnected



4 (4) mm², 30 A, three-level terminal block, 1 x L phase conductor, 1 x N conductor can be disconnected



Technical data			
Width	Length	Height NS 35/7,5	
5.2	101	50.5	
I_{max} [A]	U_{max} [V]	max. Ø [mm ²]	AWG
30 ¹⁾	400	0.14 - 4	26 - 12
IEC	UL/CUL	CSA	IEC/EN 60079-7
400	300	-	-
400	-	-	-
250	-	-	-
-	-	-	-
24 / 4	20 / -	-	-
4	-	-	-
26 - 12	26-12	-	-
IEC	UL/CUL	CSA	IEC/EN 60079-7
16 / 1.5	20 / -	-	-
solid	stranded	Ferrule	
		Without / with plastic sleeve	
0.14 - 4	0.14 - 4	0.14 - 2.5	0.14 - 2.5
			0.5
0.34 - 4	-	0.34 - 2.5	0.34 - 2.5
10	PA	V0	

Technical data			
Width	Length	Height NS 35/7,5	
5.2	101	50.5	
I_{max} [A]	U_{max} [V]	max. Ø [mm ²]	AWG
30 ¹⁾	400	0.14 - 4	26 - 12
IEC	UL/CUL	CSA	IEC/EN 60079-7
400	300	-	-
400	-	-	-
-	-	-	-
24 / 4	20 / -	-	-
4	-	-	-
26 - 12	26-12	-	-
IEC	UL/CUL	CSA	IEC/EN 60079-7
16 / 1.5	20 / -	-	-
solid	stranded	Ferrule	
		Without / with plastic sleeve	
0.14 - 4	0.14 - 4	0.14 - 2.5	0.14 - 2.5
			0.5
0.34 - 4	-	0.34 - 2.5	0.34 - 2.5
10	PA	V0	

Technical data			
Width	Length	Height NS 35/7,5	
5.2	101	50.5	
I_{max} [A]	U_{max} [V]	max. Ø [mm ²]	AWG
30 ¹⁾	400	0.14 - 4	26 - 12
IEC	UL/CUL	CSA	IEC/EN 60079-7
400	-	-	-
400	-	-	-
-	-	-	-
24 / 4	- / -	-	-
4	-	-	-
26 - 12	-	-	-
IEC	UL/CUL	CSA	IEC/EN 60079-7
16 / 1.5	- / -	-	-
solid	stranded	Ferrule	
		Without / with plastic sleeve	
0.14 - 4	0.14 - 4	0.14 - 2.5	0.14 - 2.5
			0.5
0.34 - 4	-	0.34 - 2.5	0.34 - 2.5
10	PA	V0	

Ordering data			
Type	I_{max}	Order No.	Pcs. / Pkt.
PTI 2,5-PE/L/LTB		3213957	50

Ordering data			
Type	I_{max}	Order No.	Pcs. / Pkt.
PTI 2,5-L/LTB		3213958	50

Ordering data			
Type	I_{max}	Order No.	Pcs. / Pkt.
PTI 2,5-L/NTB		3213956	50

Accessories			
D-PTI/3B		3213976	50
ISH 2,5/0,2		3002843	50
ISH 2,5/0,5		3002856	50
ISH 2,5/1,0		3002869	50
FBS 2-5	24 A	3030161	50
FBS 3-5	24 A	3030174	50
FBS 4-5	24 A	3030187	50
FBS 5-5	24 A	3030190	50
FBS 10-5	24 A	3030213	10
FBS 20-5	24 A	3030226	10
S-MT		3247954	50
MPS-MT		0201744	10
MPS-IH RD		0201676	10
PS-5		3030983	10
SZF 1-0,6X3,5		1204517	10

Accessories			
D-PTI/3B		3213976	50
ISH 2,5/0,2		3002843	50
ISH 2,5/0,5		3002856	50
ISH 2,5/1,0		3002869	50
FBS 2-5	24 A	3030161	50
FBS 3-5	24 A	3030174	50
FBS 4-5	24 A	3030187	50
FBS 5-5	24 A	3030190	50
FBS 10-5	24 A	3030213	10
FBS 20-5	24 A	3030226	10
S-MT		3247954	50
MPS-MT		0201744	10
MPS-IH RD		0201676	10
PS-5		3030983	10
SZF 1-0,6X3,5		1204517	10

Accessories			
D-PTI/3B		3213976	50
ISH 2,5/0,2		3002843	50
ISH 2,5/0,5		3002856	50
ISH 2,5/1,0		3002869	50
FBS 2-5	24 A	3030161	50
FBS 3-5	24 A	3030174	50
FBS 4-5	24 A	3030187	50
FBS 5-5	24 A	3030190	50
FBS 10-5	24 A	3030213	10
FBS 20-5	24 A	3030226	10
S-MT		3247954	50
MPS-MT		0201744	10
MPS-IH RD		0201676	10
PS-5		3030983	10
SZF 1-0,6X3,5		1204517	10

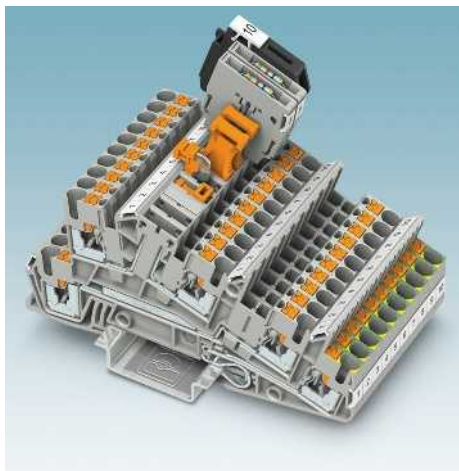
UC-TMF 5, UCT-TMF 5 or ZBF 5 (see Catalog 5)

UC-TMF 5, UCT-TMF 5 or ZBF 5 (see Catalog 5)

UC-TMF 5, UCT-TMF 5 or ZBF 5 (see Catalog 5)

PTI push-in installation terminal blocks

PTI ... three-level installation terminal blocks

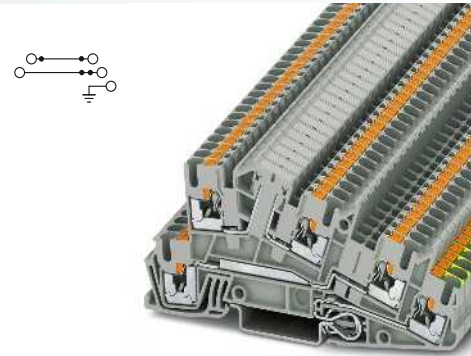


- Disconnect terminal block with universal disconnect zone for accommodating isolating plugs, feed-through connectors, component plugs, and fuse plugs
- Seamless and can be double bridged for all tasks in time-saving potential supply and distribution
- Testing facility on both sides of the disconnect point

P-FU 5X20-5 fuse plug

- When offset, the fuse plug fits on the disconnect terminal blocks with a 5.2 mm pitch
- Appropriate for short-circuit and overload protection

Notes:
For corresponding function plugs, see page 480.
1) Observe max. load current.
2) Observe max. load current, depending on the power dissipation of the components. Max. 0.5 W with single arrangement.
3) For max. power dissipation, see page 724.
4) Current and voltage are determined by the plug used.
5) 3-pos. termination block.



4 (4) mm², 30 A, three-level terminal block, 2 x L phase conductor, 1 x PE



Dimensions		
		[mm]
Max. electrical data		
Rated data		
Rated voltage	[V]	400
Phase conductor / phase conductor	[V]	400
Phase conductor / PE	[V]	250
Nominal current / cross section	[A] / [mm ²]	24 / 4
Rated cross section	[mm ²]	4
Cross section range	AWG	26 - 12
Disconnect level rated data		
Nominal current / cross section	[A] / [mm ²]	16 / 1.5
Connection capacity		
1 conductor	[mm ²]	0.14 - 4
Two stranded conductors with a TWIN ferrule	[mm ²]	0.14 - 4
Direct plug-in connection cross sections	[mm ²]	0.34 - 4
General data		
Stripping length	[mm]	10
Insulating material		PA
Inflammability class according to UL 94		V0

Technical data				
Width	Length	Height NS 35/7,5		
5.2	101	50.5		
I _{max} [A]	U _{max} [V]	max. Ø [mm ²]	AWG	
30 ⁵	400	0.14 - 4	26 - 12	
IEC	UL/CUL	CSA	IEC/EN 60079-7	
400	300	-	-	
400	-	-	-	
250	-	-	-	
24 / 4	20 / -	-	-	
4	-	-	-	
26 - 12	26-12	-	-	
IEC	UL/CUL	CSA	IEC/EN 60079-7	
16 / 1.5	20 / -	-	-	
Connection capacity			Ferrule	
solid	stranded		Without / with plastic sleeve	
0.14 - 4	0.14 - 4	0.14 - 2.5	0.14 - 2.5	
			0.5	
0.34 - 4	-	0.34 - 2.5	0.34 - 2.5	
General data				
Stripping length	[mm]	10		
Insulating material		PA		
Inflammability class according to UL 94		V0		

Description	No. of pos.	Color
Terminal block, for mounting on NS 35...		gray

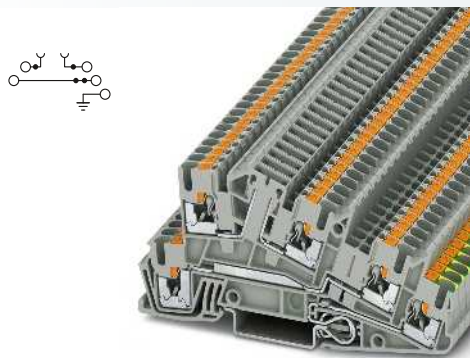
Cover, width 2.2 mm		gray
Insulation stop sleeve, cross section range:		
0.08 - 0.2 mm ²		white
0.25 - 0.5 mm ²		gray
0.75 - 1 mm ²		black
Plug-in bridge		
	2	red
	3	red
	4	red
	5	red
	10	red
	20	red
Test plug metal part, 2.3 mm Ø		
Insulating sleeve, for MPS metal part		red
Modular test plug, for the individual assembly of test plug strips		red
Isolating plug ¹⁾		orange
Feed-through connector ¹⁾		gray
Component plug, labeled with ZBF 5 or UC-TMF 5 ²⁾		gray
Fuse plug, width 6.2 mm ³⁾		black
Screwdriver		

Center and lateral groove labeling

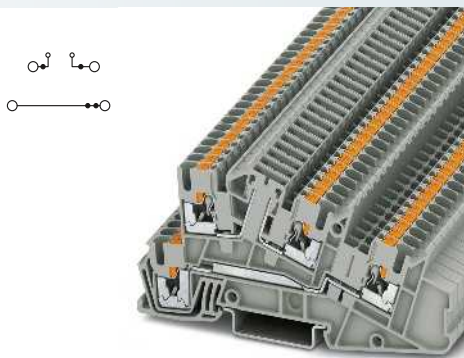
Ordering data			
Type	I _{max}	Order No.	Pcs. / Pkt.
PTI 2,5-PE/L/LB		3213959	50

Accessories			
D-PTI/3B		3213976	50
ISH 2,5/0,2		3002843	50
ISH 2,5/0,5		3002856	50
ISH 2,5/1,0		3002869	50
FBS 2-5	24 A	3030161	50
FBS 3-5	24 A	3030174	50
FBS 4-5	24 A	3030187	50
FBS 5-5	24 A	3030190	50
FBS 10-5	24 A	3030213	10
FBS 20-5	24 A	3030226	10
MPS-MT		0201744	10
MPS-IH RD		0201676	10
PS-5		3030983	10
SZF 1-0,6X3,5		1204517	10

UC-TMF 5, UCT-TMF 5 or ZBF 5 (see Catalog 5)



4 (4) mm², 30 A, three-level terminal block,
1 x L phase conductor, 1 x PE, 1 x disconnect
zone



4 (4) mm², 30 A, three-level terminal block,
1 x L phase conductor, 1 x disconnect zone



Technical data			
Width	Length	Height NS 35/7,5	
5.2	101	50.5	
I_{max} [A]	U_{max} [V]	max. Ø [mm ²]	AWG
30 ⁵⁾	400	0.14 - 4	26 - 12
IEC	UL/CUL	CSA	IEC/ EN 60079-7
400	300	-	-
400	-	-	-
250	-	-	-
24 / 4	20 / -	-	-
4	-	-	-
26 - 12	26-12	-	-
IEC	UL/CUL	CSA	IEC/ EN 60079-7
16 / 1.5	20 / -	-	-
solid	stranded	Ferrule Without / with plastic sleeve	
0.14 - 4	0.14 - 4	0.14 - 2.5	0.14 - 2.5 0.5
0.34 - 4	-	0.34 - 2.5	0.34 - 2.5
10			
PA			
V0			

Technical data			
Width	Length	Height NS 35/7,5	
5.2	101	50.5	
I_{max} [A]	U_{max} [V]	max. Ø [mm ²]	AWG
30 ⁵⁾	400 ⁴⁾	0.14 - 4	26 - 12
IEC	UL/CUL	CSA	IEC/ EN 60079-7
400 ⁴⁾	300	-	-
400 ⁴⁾	-	-	-
-	-	-	-
24 / 4	20 / -	-	-
4	-	-	-
26 - 12	26-12	-	-
IEC	UL/CUL	CSA	IEC/ EN 60079-7
16 / 1.5	20 / -	-	-
solid	stranded	Ferrule Without / with plastic sleeve	
0.14 - 4	0.14 - 4	0.14 - 2.5	0.14 - 2.5 0.5
0.34 - 4	-	0.34 - 2.5	0.34 - 2.5
10			
PA			
V0			

Ordering data			
Type	I_{max}	Order No.	Pcs. / Pkt.
PTI 2,5-PE/L/TG		3213960	50

Ordering data			
Type	I_{max}	Order No.	Pcs. / Pkt.
PTI 2,5-L/TG		3213961	50

Accessories			
D-PTI/3B		3213976	50
ISH 2,5/0,2		3002843	50
ISH 2,5/0,5		3002856	50
ISH 2,5/1,0		3002869	50
FBS 2-5	24 A	3030161	50
FBS 3-5	24 A	3030174	50
FBS 4-5	24 A	3030187	50
FBS 5-5	24 A	3030190	50
FBS 10-5	24 A	3030213	10
FBS 20-5	24 A	3030226	10
MPS-MT		0201744	10
MPS-IH RD		0201676	10
PS-5		3030983	10
P-DI		3036783	50
P-FIX		3038956	50
P-CO		3036796	10
P-FU 5X20		3036806	10
SZF 1-0,6X3,5		1204517	10

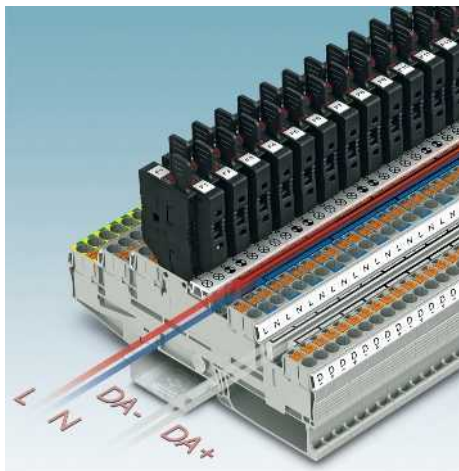
Accessories			
D-PTI/3B		3213976	50
ISH 2,5/0,2		3002843	50
ISH 2,5/0,5		3002856	50
ISH 2,5/1,0		3002869	50
FBS 2-5	24 A	3030161	50
FBS 3-5	24 A	3030174	50
FBS 4-5	24 A	3030187	50
FBS 5-5	24 A	3030190	50
FBS 10-5	24 A	3030213	10
FBS 20-5	24 A	3030226	10
MPS-MT		0201744	10
MPS-IH RD		0201676	10
PS-5		3030983	10
P-DI		3036783	50
P-FIX		3038956	50
P-CO		3036796	10
P-FU 5X20		3036806	10
SZF 1-0,6X3,5		1204517	10

UC-TMF 5, UCT-TMF 5 or ZBF 5
(see Catalog 5)

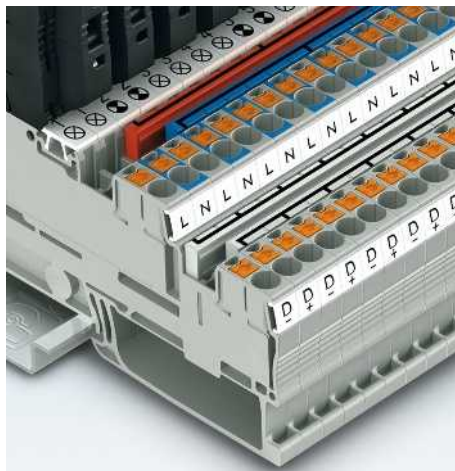
UC-TMF 5, UCT-TMF 5 or ZBF 5
(see Catalog 5)

PTI push-in installation terminal blocks

PTB ... three-level installation terminal blocks with disconnect zone



- The three-level installation terminal blocks have been specially developed for the building installation sector
- DALI-controlled emergency lighting systems can be conveniently fused and wired when space is at a premium



- Two function shafts are available on each level on the inside of the control cabinet
- Quick and easy potential distribution, e.g., from the DALI bus system



- The disconnect zone of the three-level terminal blocks is specially designed for use in standard distribution boards



- The P-FU ...-5 fuse plug can be inserted into the universal disconnect zone of the narrow 5.2 mm three-level terminal blocks with a nested arrangement
- Space-saving overload and short-circuit protection of the individual positive and negative potentials of emergency lighting systems, for example

Notes:

- For current carrying capacity of DIN rails, see page 716.
- For further plug-in bridges, see page 472.
- ¹⁾ If the fuse is faulty, the downstream circuit is not off load.
- ²⁾ Observe max. load current.
- ³⁾ Observe max. load current, depending on the power dissipation of the components. Max. 0.5 W with single arrangement.
- ⁴⁾ For max. power dissipation, see page 724.
- ⁵⁾ Current and voltage are determined by the plug used.
- ⁶⁾ 3-pos. termination block.

Dimensions

[mm]

Max. electrical data

Rated data

Rated voltage	[V]
Phase conductor / phase conductor	[V]
Phase conductor / PE	[V]
Phase conductor / N	[V]
Nominal current / cross section	[A] / [mm ²]
Rated cross section	[mm ²]
Cross section range	AWG

Disconnect level rated data

Nominal current / cross section	[A] / [mm ²]
---------------------------------	--------------------------

Connection capacity

1 conductor	[mm ²]
Two stranded conductors with a TWIN ferrule	[mm ²]
Direct plug-in connection cross sections	[mm ²]

General data

Stripping length	[mm]
Insulating material	
Inflammability class according to UL 94	

Description	No. of pos.	Color
Three-level terminal block with disconnect level , for mounting on NS 35...		gray
Fuse plug , width 5.2 mm ¹⁾		black
With LED for 12-30 V DC, 0.35-0.95 mA		black
For 30-60 V AC/DC, 0.36-0.95 mA		black
For 110-250 V AC/DC, 0.4-0.95 mA		black

Cover , width 2.2 mm	gray
-----------------------------	------

Insulation stop sleeve , cross section range:	
0.08 - 0.2 mm ²	white
0.25 - 0.5 mm ²	gray
0.75 - 1 mm ²	black

Plug-in bridge		
	2	red
	3	red
	10	red

Test adapter , 4-mm test socket hole	gray
---	------

Test plug metal part , 2.3 mm Ø	
--	--

Insulating sleeve , for MPS metal part	red
---	-----

Modular test plug , for the individual assembly of test plug strips	red
--	-----

Isolating plug ²⁾	orange
-------------------------------------	--------

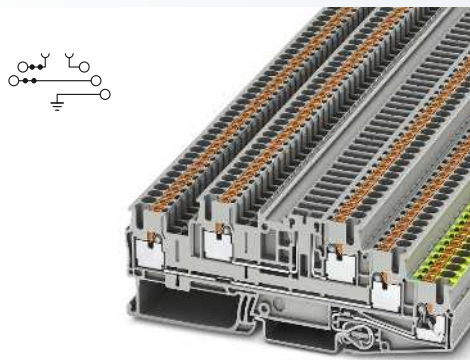
Feed-through connector ²⁾	gray
---	------

Component plug , labeled with ZBF 5 or UC-TMF 5 ³⁾	gray
--	------

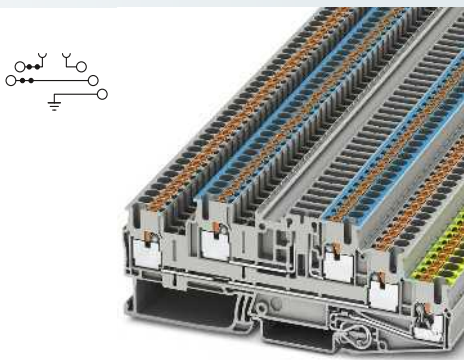
Screwdriver

Center groove labeling

Center and lateral groove labeling



4 (4) mm², 30 A, three-level terminal block, with disconnect zone



4 (4) mm², 30 A, three-level terminal block, with disconnect zone



5.2 mm fuse plug, for 5 x 20 mm cartridge fuses



Technical data			
Width	Length	Height NS 35/7,5	
5.2	118	42.3	
I_{max} [A]	U_{max} [V]	max. Ø [mm ²]	AWG
30 ³⁾	400 ⁵⁾	0.14 - 4	26 - 12
IEC	UL/CUL	CSA	IEC/EN 60079-7
400 ⁵⁾	-	-	-
400 ⁵⁾	-	-	-
250	-	-	-
-	-	-	-
24 / 4	- / -	-	-
4	-	-	-
26 - 12	-	-	-
IEC	UL/CUL	CSA	IEC/EN 60079-7
16 / 1.5	- / -	-	-
solid	stranded	Ferrule	
		Without / with plastic sleeve	
0.14 - 4	0.14 - 4	0.14 - 2.5	0.14 - 2.5
			0.5
0.34 - 4	-	0.34 - 2.5	0.34 - 2.5
10			
PA			
V0			

Technical data			
Width	Length	Height NS 35/7,5	
5.2	118	42.3	
I_{max} [A]	U_{max} [V]	max. Ø [mm ²]	AWG
30 ³⁾	400 ⁵⁾	0.14 - 4	26 - 12
IEC	UL/CUL	CSA	IEC/EN 60079-7
400 ⁵⁾	-	-	-
400 ⁵⁾	-	-	-
250	-	-	-
250	-	-	-
24 / 4	- / -	-	-
4	-	-	-
26 - 12	-	-	-
IEC	UL/CUL	CSA	IEC/EN 60079-7
16 / 1.5	- / -	-	-
solid	stranded	Ferrule	
		Without / with plastic sleeve	
0.14 - 4	0.14 - 4	0.14 - 2.5	0.14 - 2.5
			0.5
0.34 - 4	-	0.34 - 2.5	0.34 - 2.5
10			
PA			
V0			

Technical data			
Width	Length	Height NS 35/7,5	
5.2	23.5	-	
I_{max} [A]	U_{max} [V]	max. Ø [mm ²]	AWG
6.3 ⁴⁾	400 ⁵⁾	-	-
IEC	UL/CUL	CSA	IEC/EN 60079-7
400 ⁵⁾	300	300	-
400 ⁵⁾	-	-	-
-	-	-	-
-	-	-	-
6.3	10 / -	10 / -	-
-	-	-	-
-	-	-	-
IEC	UL/CUL	CSA	IEC/EN 60079-7
-	-	-	-
solid	stranded	Ferrule	
		Without / with plastic sleeve	
-	-	-	-
-	-	-	-
10			
PA			
V0			

Ordering data			
Type	I_{max}	Order No.	Pcs. / Pkt.
PTB 2,5-PE/L/TG		3210539	50

Ordering data			
Type	I_{max}	Order No.	Pcs. / Pkt.
PTB 2,5-PE/L/NTG		3210545	50

Ordering data		
Type	Order No.	Pcs. / Pkt.
P-FU 5X20-5	3209235	10
P-FU 5X20 LED 24-5	3209248	10
P-FU 5X20 LED 60-5	3209251	10
P-FU 5X20 LED 250-5	3209264	10

Accessories			
D-PTB 2,5/3		3210552	50
ISH 2,5/0,2		3002843	50
ISH 2,5/0,5		3002856	50
ISH 2,5/1,0		3002869	50
FBS 2-5	24 A	3030161	50
FBS 3-5	24 A	3030174	50
FBS 10-5	24 A	3030213	10
PAI-4-N GY		3032871	10
MPS-MT		0201744	10
MPS-IH RD		0201676	10
PS-5		3030983	10
P-DI		3036783	50
P-FIX		3038956	50
P-CO		3036796	10
SZF 1-0,6X3,5		1204517	10

Accessories			
D-PTB 2,5/3		3210552	50
ISH 2,5/0,2		3002843	50
ISH 2,5/0,5		3002856	50
ISH 2,5/1,0		3002869	50
FBS 2-5	24 A	3030161	50
FBS 3-5	24 A	3030174	50
FBS 10-5	24 A	3030213	10
PAI-4-N GY		3032871	10
MPS-MT		0201744	10
MPS-IH RD		0201676	10
PS-5		3030983	10
P-DI		3036783	50
P-FIX		3038956	50
P-CO		3036796	10
SZF 1-0,6X3,5		1204517	10

Accessories		

UC-TM 5, UCT-TM 5 or ZB 5
(see Catalog 5)
UC-TMF 5, UCT-TMF 5 or ZBF 5
(see Catalog 5)

UC-TM 5, UCT-TM 5 or ZB 5
(see Catalog 5)
UC-TMF 5, UCT-TMF 5 or ZBF 5
(see Catalog 5)

UC-TMF 5, UCT-TMF 5 or ZBF 5
(see Catalog 5)

PTI push-in installation terminal blocks

PTB ...-MT three-level installation terminal blocks with knife disconnect zone

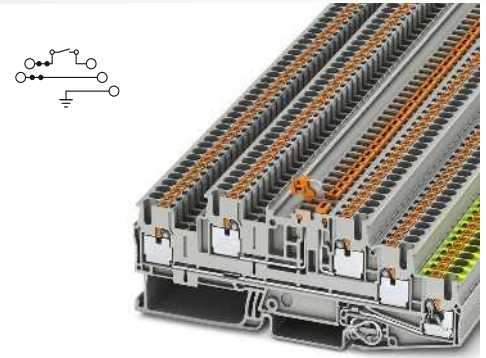
- Knife disconnect zone in upper level
- Same shape as the three-level installation terminal blocks with universal disconnect zone
- Testing facility on both sides of the disconnect point
- Optimum operating convenience with extremely compact design
- Quickly wire load circuits with a pitch of just 5.2 mm
- Double function shafts on all levels
- Each terminal point can be clearly labeled

S-MT switching lock

- The optional switching lock snaps in and effectively prevents accidental switching

CLIP PROJECT Planning enables the quick and convenient planning and configuration of fault-free terminal strips.

Notes:
For current carrying capacity of DIN rails, see page 716.
1) 3-pos. termination block.
2) Also see page 480.



4 (4) mm², 30 A, three-level terminal block, with knife disconnect zone

Dimensions		[mm]
Max. electrical data		
Rated data		
Rated voltage	[V]	400
Phase conductor / phase conductor	[V]	400
Phase conductor / PE	[V]	250
Nominal current / cross section	[A] / [mm ²]	24 / 4
Rated cross section	[mm ²]	4
Cross section range	AWG	26 - 12
Disconnect level rated data		
Nominal current / cross section	[A] / [mm ²]	16 / 1.5
Connection capacity		
1 conductor	[mm ²]	0.14 - 4
Two stranded conductors with a TWIN ferrule	[mm ²]	0.14 - 4
Direct plug-in connection cross sections	[mm ²]	0.34 - 4
General data		
Stripping length	[mm]	10
Insulating material		PA
Inflammability class according to UL 94		V0

Technical data				
Width	Length	Height NS 35/7,5		
5.2	118	42.3		
I _{max} [A]	U _{max} [V]	max. Ø [mm ²]	AWG	
30 ¹⁾	400	0.14 - 4	26 - 12	
IEC	UL/CUL	CSA	IEC/EN 60079-7	
400	-	-	-	
400	-	-	-	
250	-	-	-	
24 / 4	- / -	-	-	
4	-	-	-	
26 - 12	-	-	-	
IEC	UL/CUL	CSA	IEC/EN 60079-7	
16 / 1.5	- / -	-	-	
Connection capacity			Ferrule	
solid	stranded		Without / with plastic sleeve	
0.14 - 4	0.14 - 4	0.14 - 2.5	0.14 - 2.5	
			0.5	
0.34 - 4	-	0.34 - 2.5	0.34 - 2.5	

Description	No. of pos.	Color
Three-level terminal block with disconnect level, for mounting on NS 35...		gray
Three-level terminal block, for mounting on NS 35...		gray

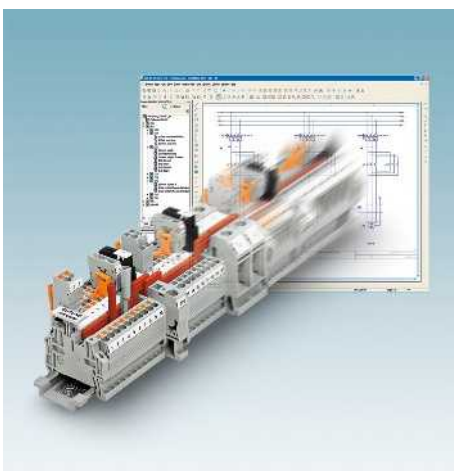
Ordering data			
Type	I _{max}	Order No.	Pcs. / Pkt.
PTB 2,5-PE/L/MT		3210549	50

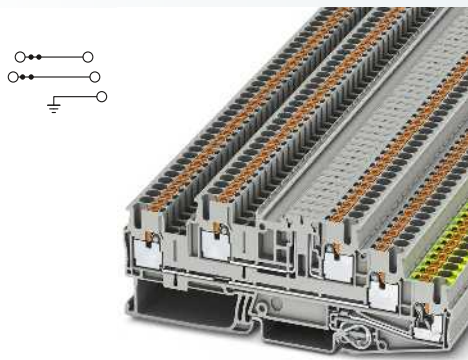
Cover, width 2.2 mm		gray
Insulation stop sleeve, cross section range:		
0.08 - 0.2 mm ²		white
0.25 - 0.5 mm ²		gray
0.75 - 1 mm ²		black
Plug-in bridge		
	2	red
	3	red
	4	red
	5	red
	10	red
	20	red
Test adapter, 4-mm test socket hole		gray
Test plug metal part, 2.3 mm Ø		
Insulating sleeve, for MPS metal part		red
Modular test plug, for the individual assembly of test plug strips		red

Accessories			
Type	I _{max}	Order No.	Pcs. / Pkt.
D-PTB 2,5/3		3210552	50
ISH 2,5/0,2		3002843	50
ISH 2,5/0,5		3002856	50
ISH 2,5/1,0		3002869	50
FBS 2-5	24 A	3030161	50
FBS 3-5	24 A	3030174	50
FBS 4-5	24 A	3030187	50
FBS 5-5	24 A	3030190	50
FBS 10-5	24 A	3030213	10
FBS 20-5	24 A	3030226	10
PAI-4-N GY		3032871	10
MPS-MT		0201744	10
MPS-IH RD		0201676	10
PS-5		3030983	10

Switching lock, plug-in ²⁾		white
Screwdriver		
Center groove labeling		
Center and lateral groove labeling		

S-MT		3247954	50
SZF 1-0,6X3,5		1204517	10
UC-TM 5, UCT-TM 5 or ZB 5 (see Catalog 5)			
UC-TMF 5, UCT-TMF 5 or ZBF 5 (see Catalog 5)			




 4 (4) mm², 30 A, three-level terminal block

Technical data

Width	Length	Height NS 35/7,5	
5.2	118	42.3	
I_{max} [A]	U_{max} [V]	max. Ø [mm ²]	AWG
30	400	0.14 - 4	26 - 12
IEC	UL/CUL	CSA	IEC/ EN 60079-7
400	-	-	-
400	-	-	-
250	-	-	-
24 / 4	- / -	-	-
4	-	-	-
26 - 12	-	-	-
IEC	UL/CUL	CSA	IEC/ EN 60079-7
-	- / -	-	-
solid	stranded	Ferrule	
		Without / with plastic sleeve	
0.14 - 4	0.14 - 4	0.14 - 2.5	0.14 - 2.5 0.5
0.34 - 4	-	0.34 - 2.5	0.34 - 2.5
10			
PA			
V0			

Ordering data

Type	I_{max}	Order No.	Pcs. / Pkt.
PTB 2,5-PE/L/L		3210547	50

Accessories

D-PTB 2,5-PE/L/L		3210553	50
ISH 2,5/0,2		3002843	50
ISH 2,5/0,5		3002856	50
ISH 2,5/1,0		3002869	50
FBS 2-5	24 A	3030161	50
FBS 3-5	24 A	3030174	50
FBS 4-5	24 A	3030187	50
FBS 5-5	24 A	3030190	50
FBS 10-5	24 A	3030213	10
FBS 20-5	24 A	3030226	10
PAI-4-N GY		3032871	10
MPS-MT		0201744	10
MPS-IH RD		0201676	10
PS-5		3030983	10
SZF 1-0,6X3,5		1204517	10

UC-TM 5, UCT-TM 5 or ZB 5
(see Catalog 5)
UC-TMF 5, UCT-TMF 5 or ZBF 5
(see Catalog 5)

PTI push-in installation terminal blocks

PTU ... hybrid terminal block bases for distribution of potential with single-sided screw connection



The terminal block bases are ideal for use in building installation and mechanical engineering applications, thanks to the following features:

- Quick and easy potential distribution with 14 push-in terminal points
- Compact design
- 25 mm² screw connection
- Large labeling option

The branch terminals from the UDB ... series are suitable for the simple voltage pick-off of main supply cables up to 35 mm², see page 98.



Notes:

1) The total current of all connected conductors must not exceed the max. load current.

1 ... 12
○-○-○-○-○-○-○-○-○-○-○-○-○-○-○-○



16 (25) mm², 80 A, terminal block base, 15 connections

Dimensions		[mm]	
Max. electrical data			
Rated data, external screw connection			
Rated voltage	[V]	690	
Nominal current / cross section	[A] / [mm ²]	76 ¹⁾ / 16	
Rated cross section	[mm ²]	16	
Cross section range	AWG	16 - 4	
Connection capacity of screw connection			
1 conductor	[mm ²]	1.5 - 25	
Two conductors (of the same type)	[mm ²]	1.5 - 10	
Two stranded conductors with a TWIN ferrule	[mm ²]	1.5 - 6	
Rated data, 2 internal push-in connections			
Rated voltage	[V]	690	
Nominal current / cross section	[A] / [mm ²]	20 ¹⁾ / 2.5	
Cross section range	AWG	14 - 12	
Connection capacity, 2 internal push-in connections			
1 conductor	[mm ²]	1.5 - 4	
Two conductors with a TWIN ferrule	[mm ²]	1.5 - 4	
Direct plug-in connection cross sections	[mm ²]	1	
Rated data, 12 external Push-in connections			
Rated voltage	[V]	690	
Nominal current / cross section	[A] / [mm ²]	16 ¹⁾ / 1.5	
Cross section range	AWG	12 - 14	
Connection capacity, 12 external Push-in connections			
1 conductor	[mm ²]	1 - 2.5	
Two conductors with a TWIN ferrule	[mm ²]	1 - 2.5	
Direct plug-in connection cross sections	[mm ²]	1.5	
General data			
Stripping length, screw connection	[mm]	12	
Stripping length, push-in connection	[mm]	12	
Screw thread		M5	
Tightening torque	[Nm]	2 - 3	
Insulating material		PA	
Inflammability class according to UL 94		V0	

Technical data				
Width	Length	Height NS 35/7,5		
17.5	89.5	36		
I _{max} [A]	U _{max} [V]	max. Ø [mm ²]	AWG	
80 ¹⁾	690	1.5 - 25	16 - 4	
IEC 60998-1				
IEC	UL/CUL	CSA	IEC/EN 60079-7	
Rated data, external screw connection				
Rated voltage	[V]	690	-	-
Nominal current / cross section	[A] / [mm ²]	76 ¹⁾ / 16	-	-
Rated cross section	[mm ²]	16	-	-
Cross section range	AWG	16 - 4	-	-
Connection capacity of screw connection				
solid	stranded	Ferrule		
Without / with plastic sleeve				
1.5 - 25	2.5 - 16	1.5 - 16	1.5 - 16	
1.5 - 10	1.5 - 6	1.5 - 6	-	
-				
1.5 - 6				
IEC 60998-2-2				
IEC	UL/CUL	CSA	IEC/EN 60079-7	
Rated data, 2 internal push-in connections				
Rated voltage	[V]	690	-	-
Nominal current / cross section	[A] / [mm ²]	20 ¹⁾ / 2.5	-	-
Cross section range	AWG	14 - 12	-	-
Connection capacity, 2 internal push-in connections				
solid	stranded	Ferrule		
Without / with plastic sleeve				
1.5 - 4	-	1 - 2.5	1 - 2.5	
-	-	-	0.5 - 1.5	
1.5 - 4	-	1	1	
IEC 60998-2-2				
IEC	UL/CUL	CSA	IEC/EN 60079-7	
Rated data, 12 external Push-in connections				
Rated voltage	[V]	690	-	-
Nominal current / cross section	[A] / [mm ²]	16 ¹⁾ / 1.5	-	-
Cross section range	AWG	12 - 14	-	-
Connection capacity, 12 external Push-in connections				
solid	stranded	Ferrule		
Without / with plastic sleeve				
1 - 2.5	-	0.75 - 1.5	0.75 - 1.5	
-	-	-	0.25 - 0.75	
1 - 2.5	-	1.5	1.5	

Description	Color
Terminal block , for mounting on NS 35...	gray blue green

Three-compartment marker carrier , can be snapped into ST 2,5-3... and PT 2,5-3... three-level terminal blocks, can be labeled with UC-TMF 5 and ZBF 5 or ...TM 5 and ZB 5	gray
---	------

Ordering data		
Type	Order No.	Pcs. / Pkt.
PTU 16/14X2,5 GY	3214016	10

Accessories		
Type	Order No.	Pcs. / Pkt.
STP 5-3	0810562	100

1 ... 12



16 (25) mm², 80 A, terminal block base,
15 connections

1 ... 12



16 (25) mm², 80 A, terminal block base,
15 connections

Technical data			
Width	Length	Height NS 35/7,5	
17.5	89.5	36	
I_{max} [A]	U_{max} [V]	max. Ø [mm ²]	AWG
80 ¹⁾	690	1.5 - 25	16 - 4
IEC 60998-1			
IEC	UL/CUL	CSA	IEC/ EN 60079-7
690	-	-	-
76 ¹⁾ / 16	-	-	-
16	-	-	-
16 - 4	-	-	-
solid	stranded	Ferrule Without / with plastic sleeve	
1.5 - 25	2.5 - 16	1.5 - 16	1.5 - 16
1.5 - 10	1.5 - 6	1.5 - 6	-
			1.5 - 6
IEC 60998-2-2			
IEC	UL/CUL	CSA	IEC/ EN 60079-7
690	-	-	-
20 ¹⁾ / 2.5	-	-	-
14 - 12	-	-	-
solid	stranded	Ferrule Without / with plastic sleeve	
1.5 - 4	-	1 - 2.5	1 - 2.5
			0.5 - 1.5
1.5 - 4	-	1	1
IEC 60998-2-2			
IEC	UL/CUL	CSA	IEC/ EN 60079-7
690	-	-	-
16 ¹⁾ / 1.5	-	-	-
12 - 14	-	-	-
solid	stranded	Ferrule Without / with plastic sleeve	
1 - 2.5	-	0.75 - 1.5	0.75 - 1.5
			0.25 - 0.75
1 - 2.5	-	1.5	1.5
12			
12			
M5			
2 - 3			
PA			
V0			

Technical data			
Width	Length	Height NS 35/7,5	
17.5	89.5	36	
I_{max} [A]	U_{max} [V]	max. Ø [mm ²]	AWG
80 ¹⁾	690	1.5 - 25	16 - 4
IEC 60998-1			
IEC	UL/CUL	CSA	IEC/ EN 60079-7
690	-	-	-
76 ¹⁾ / 16	-	-	-
16	-	-	-
16 - 4	-	-	-
solid	stranded	Ferrule Without / with plastic sleeve	
1.5 - 25	2.5 - 16	1.5 - 16	1.5 - 16
1.5 - 10	1.5 - 6	1.5 - 6	-
			1.5 - 6
IEC 60998-2-2			
IEC	UL/CUL	CSA	IEC/ EN 60079-7
690	-	-	-
20 ¹⁾ / 2.5	-	-	-
14 - 12	-	-	-
solid	stranded	Ferrule Without / with plastic sleeve	
1.5 - 4	-	1 - 2.5	1 - 2.5
			0.5 - 1.5
1.5 - 4	-	1	1
IEC 60998-2-2			
IEC	UL/CUL	CSA	IEC/ EN 60079-7
690	-	-	-
16 ¹⁾ / 1.5	-	-	-
12 - 14	-	-	-
solid	stranded	Ferrule Without / with plastic sleeve	
1 - 2.5	-	0.75 - 1.5	0.75 - 1.5
			0.25 - 0.75
1 - 2.5	-	1.5	1.5
12			
12			
M5			
2 - 3			
PA			
V0			

Ordering data		
Type	Order No.	Pcs. / Pkt.
PTU 16/14X2,5 BU	3214014	10

Ordering data		
Type	Order No.	Pcs. / Pkt.
PTU 16/14X2,5 GN	3214015	10

Accessories		
STP 5-3	0810562	100

Accessories		
STP 5-3	0810562	100