





RT bolt connection terminal blocks

The RT bolt connection terminal blocks have been developed with a robust design and for the convenient wiring of ring cable lugs. The key feature of these terminal blocks is the folding wing which can be swung up and which features a captive cap nut. This ensures quick and easy ring cable lug wiring.

The integrated screw locking in the form of a spring retainer guarantees safe use, even in applications which are subject to shock and vibration.

All ring cable lugs which comply with DIN 46234, DIN 46235 or DIN 46237 can be connected.

A special characteristic of the bolt connection is the often required multi-conductor connection, on which up to four cable lugs can be connected per bolt.

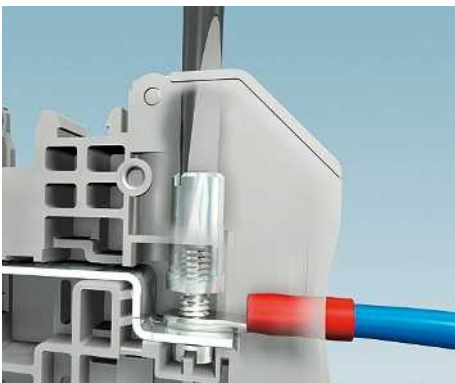
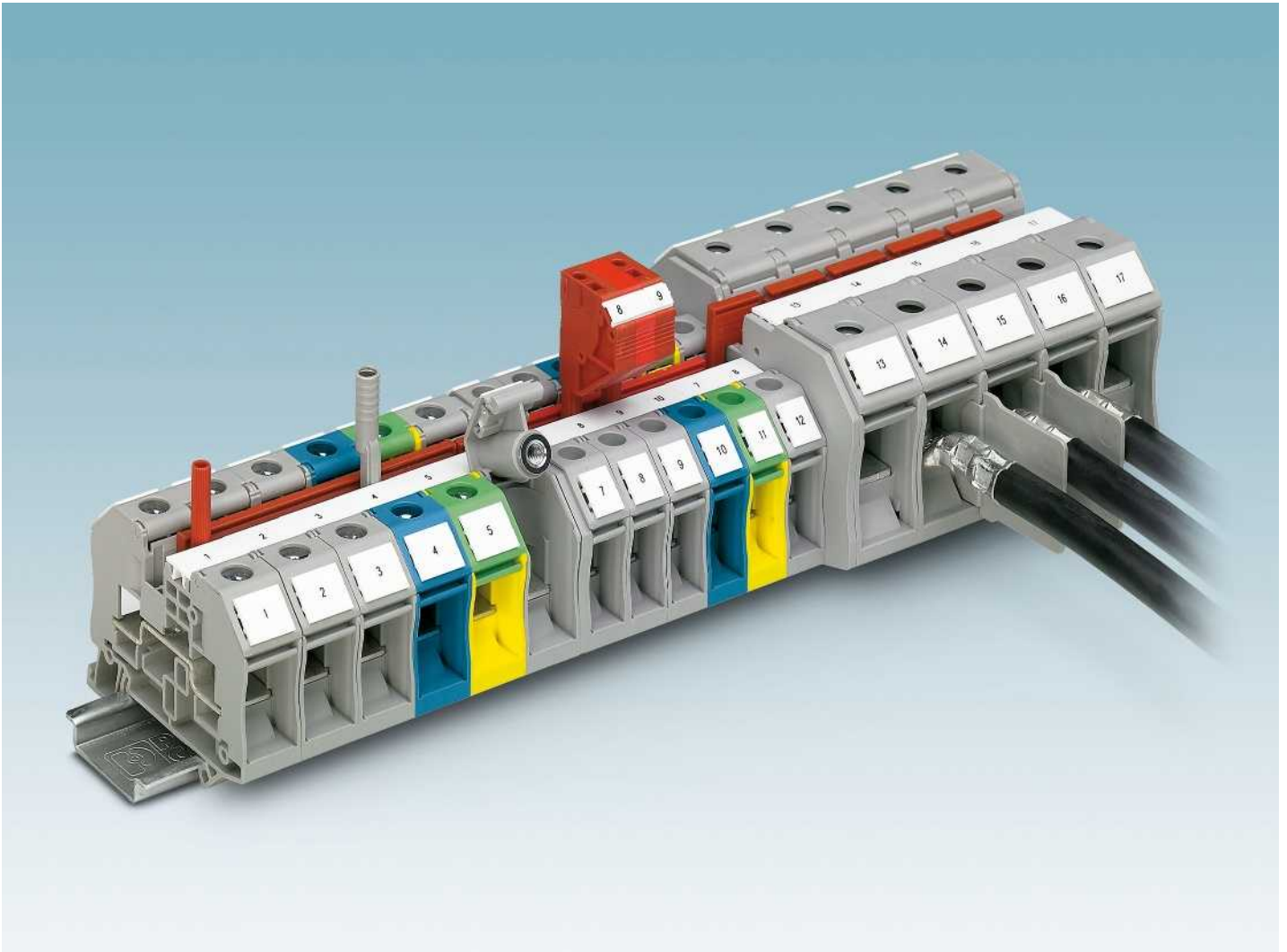
All kinds of conductors up to 240 mm² can be wired securely and with long-term stability.

Product range overview

RT bolt connection terminal blocks	450
Feed-through and test disconnect terminal blocks	452
Ground terminal blocks	454
Feed-through and test disconnect terminal blocks, open, with hexagonal nuts	456
Ground terminal blocks, open, with hexagonal nuts	458
High-current connectors	461

Modular terminal blocks - CLIPLINE complete

RT bolt connection terminal blocks



Robust and zero-maintenance

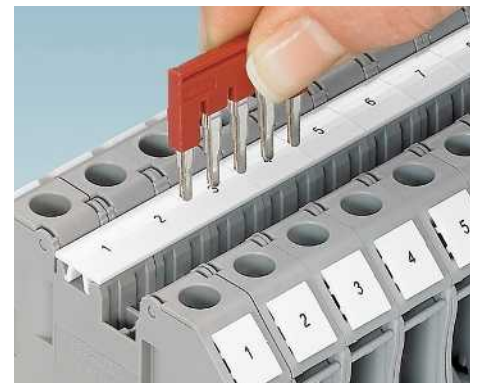
The bolt connection method is used in numerous applications. The benefits are:

- Robust contact
- Zero maintenance thanks to integrated screw retention
- Multi-conductor connection



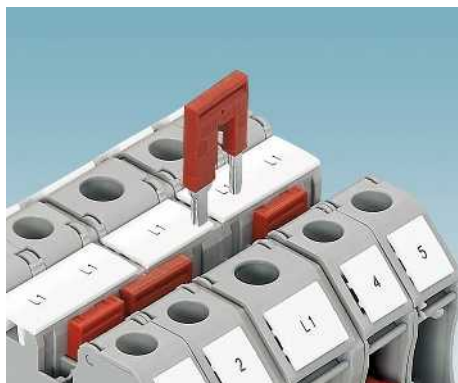
Snap-on PE foot

Ground terminal blocks of the same shape are simply snapped onto the DIN rail in order to make contact. This mechanically and electrically efficient contacting meets all the requirements of standard IEC 60947-7-2.

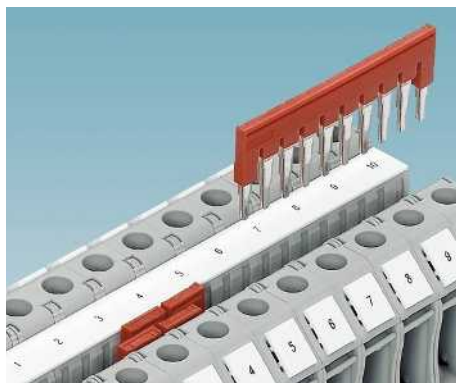


Flexible plug-in bridge system

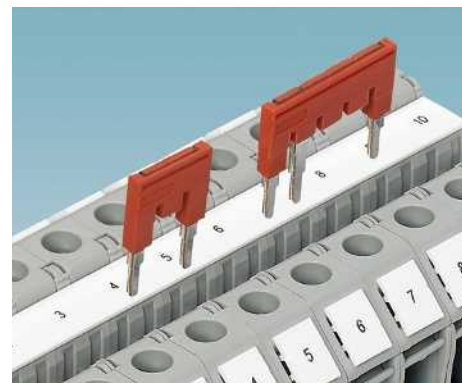
The potential distribution can be implemented at speed with the standardized plug-in bridges. Using two bridge shafts in all terminal blocks makes flexible chain, level or jumping bridges possible.



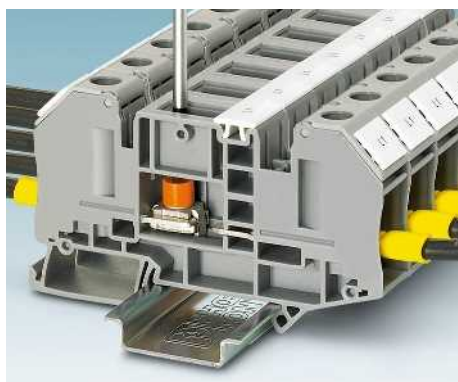
The reducing bridge enables simple connection of terminal blocks with different nominal cross sections, e.g., an RT 8 with an RT 3 terminal block. Power blocks can be created quickly using the reducing bridge.



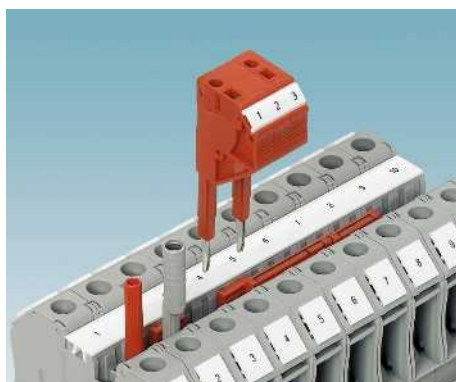
The double function shaft can be used to connect any number of terminal blocks with two-position bridges. The 2 to 50-pos. bridges allow up to 50 terminal blocks to be bridged in one step.



A jumping bridge is created by removing individual contact guides from the standard bridge. Two potentials can then be routed in parallel. The contact points can also be marked.



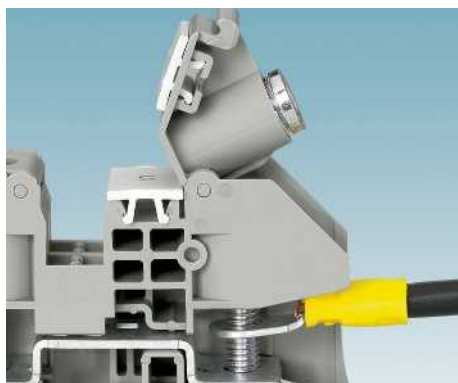
The RT 5-T is used in applications where it must be possible to separate connections. The feed-through can be opened or closed using a screwed disconnect slide without the contact points having to be released.



A test plug with a 2.3 mm diameter is available for measuring lines and a test adapter with a 4 mm diameter is available for safety test plugs. Test adapters can be implemented at speed with the modular test plugs.



Clear labeling can be easily produced with the RT terminal blocks. Large and clear marking in the middle of the terminal block guarantees reliable and quick installation.



The folding wing typical of RT terminal blocks ensures finger protection when using an insulated cable lug. Connecting the conductor is also a much simpler process thanks to the captive, integrated cap nut. Each terminal point can also be labeled on the folding wing itself.



The open RTO series is the same shape as the RT series. This features standard hexagonal nuts rather than the cap nuts used in the folding wing. A version with a transparent cover provides shock protection. The right terminal block is therefore available for every application.



The RT and RTO terminal blocks can be wired with uninsulated cable lugs as well. These are fitted with BE-RT plug-on dividing panels to guarantee the high rated voltages.

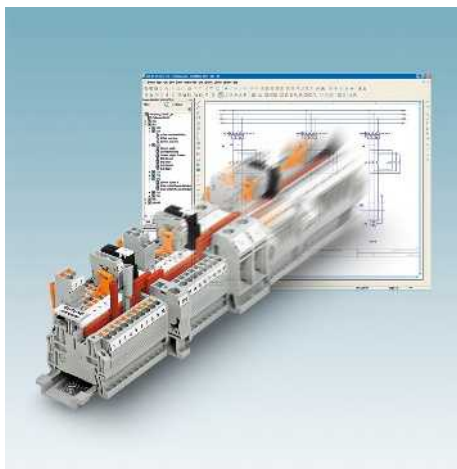
RT bolt connection terminal blocks

RT ... feed-through and test disconnect terminal blocks

The bolt connection terminal blocks for cable lugs up to 35 mm² in accordance with DIN 46234 and DIN 46237 are distinguished by their many advantages in technical applications:

- Simple and fast connection is made possible by hinged cover wings which hold the terminal nuts captive. When the flaps are open, the bolt is freely accessible and the cable lugs can be hooked in. After the flap is closed and engages, the terminal nut is automatically positioned on the threaded bolt and can be easily tightened.
- Simple bridging and potential distribution using the patented plug-in bridges of the CLIPLINE complete system
- Testing with the standardized test adapters and test plugs of the CLIPLINE complete system
- Large-surface labeling options in the terminal center and above the terminal points
- The hinged flaps cover the live metal parts including the insulated cable lugs in the clamping area so that they are touch-proof
- A normal screwdriver can be used for the special clamping nuts
- The screws are secured against loosening by captive spring-loaded spacers
- For the RT 5-T disconnect terminal block, the specific switching state is clearly indicated by the orange disconnect slide screw
- The use of the switching lock effectively prevents unintentional switching
- For optional SB-MER ... switch plug-in bridges which can be used with RT 5... terminal blocks, see page 457

CLIP PROJECT Planning enables the quick and convenient planning and configuration of fault-free terminal strips.

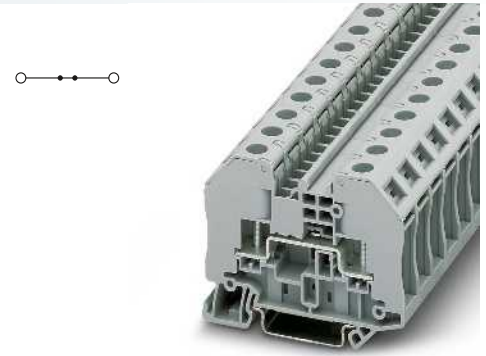


Notes:
When using multi-position PS-... test plugs that are mounted side by side, one DP PS-... spacer plate with the same pitch must be used alternately to achieve the terminal block width, see page 478.
For CARRIER 35-8 separating disk, with storage option for plug-in bridges, see page 159.
For further plug-in bridges, see page 472.
For further bolt connection terminal blocks, see page 618.
1) For installation notes on the use of accessories for Ex e applications, see page 710.
2) Rated voltage for 690 V open disconnect point.

Dimensions		[mm]
Max. electrical data		
Rated data		
Rated voltage	[V]	1000
Nominal current / cross section	[A] / [mm ²]	24 / 2.5
Rated cross section	[mm ²]	2.5
Cross section range	AWG	26 - 14
Connection capacity, bolt connection		
Connection capacity, DIN 46234		
Cable lugs, DIN 46234	[mm ²]	0.5 - 2.5
Connection bolt / hole diameter / width	[mm]	3 / 3.2 / 6
Connection capacity, DIN 46237		
Cable lugs, DIN 46237	[mm ²]	1 - 2.5
Connection bolt / hole diameter / width	[mm]	3 / 3.2 / 6
Color code		red 1.00 mm ² blue 2.50 mm ² yellow
General data		
Disconnect slide: thread / torque	- / [Nm]	- / -
Bolt thread		M3
Tightening torque	[Nm]	0.6 - 0.8
Insulating material		PA
Inflammability class according to UL 94		V0

Description	No. of pos.	Color
Bolt connection terminal block , for mounting on NS 35...		gray
With cable lug connection M3 and 2.3 mm Ø test socket screws		blue
Test disconnect terminal block , for mounting on NS 35		gray

Cover , width 2.2 mm		gray
Plug-in bridge		
	2	red
	3	red
	5	red
	10	red
	20	red
Switching lock , prevents unintentional operation of the disconnect slide		white
Test adapter , 4-mm test socket hole		gray
Test plug metal part , 2.3 mm Ø		
Insulating sleeve , for MPS metal part		red
Modular test plug , for the individual assembly of test plug strips		red
Path extension , to be used for uninsulated cable lugs		gray
Screwdriver		
Labeling of wing flap		
Center groove labeling		



2.5 (2.5) mm², 24 A, feed-through terminal block

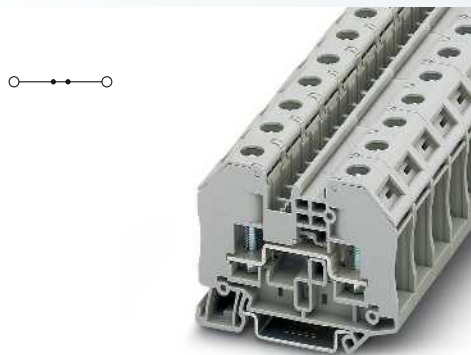
UL US PG ABS CB
Ex: Ex

PTB 09ATEX1003U / IECEx PTB 08.0063U

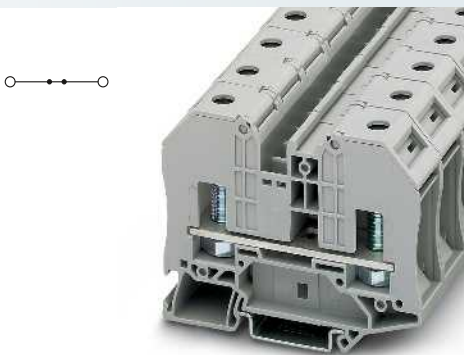
Technical data				
Width	Length	Height NS 35/7,5		
12.3	66	51		
I _{max} [A]	U _{max} [V]	max. Ø [mm ²]	AWG	
24	1000	0.1 - 2.5	26 - 14	
IEC 60947-7-1				
IEC	UL/CUL	CSA	IEC/EN 60079-7	
			550	
			24	
			2.5	
			26 - 14	
Connection capacity, bolt connection				
Connection capacity, DIN 46234				
Cable lugs, DIN 46234 [mm ²]				
Connection bolt / hole diameter / width [mm]				
Connection capacity, DIN 46237				
Cable lugs, DIN 46237 [mm ²]				
Connection bolt / hole diameter / width [mm]				
Color code				
red 1.00 mm ²				
blue 2.50 mm ²				
yellow				
General data				
Disconnect slide: thread / torque - / [Nm] - / -				
Bolt thread M3				
Tightening torque [Nm] 0.6 - 0.8				
Insulating material PA				
Inflammability class according to UL 94 V0				

Ordering data			
Type	I _{max}	Order No.	Pcs. / Pkt.
RT 3		3049013	50
RT 3 BU		3049110	50

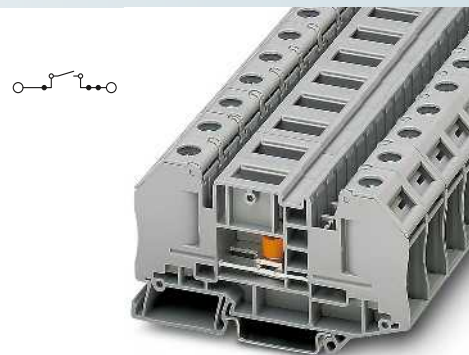
Accessories ¹⁾			
D-RT 3/5		3049097	50
FBS 2-6	32 A	3030336	50
FBS 3-6	32 A	3030242	50
FBS 5-6	32 A	3030349	50
FBS 10-6	32 A	3030271	10
FBS 20-6	32 A	3030365	10
PAI-4-N GY		3032871	10
MPS-MT		0201744	10
MPS-IH RD		0201676	10
PS-6		3030996	10
BE-RT 3/5		3049819	100
SZS 1,0X6,5 VDE		1205079	10
UC-TM 8, UCT-TM 8 or ZB 8 (see Catalog 5)			
UC-TM 12, UCT-TM 12 or ZB 12 (see Catalog 5)			



6 (6) mm², 41 A, feed-through terminal block



35 (35) mm², 125 A, feed-through terminal block



6 (6) mm², 41 A, test disconnect terminal block



Ex:
PTB 09ATEX1003U / IECEx PTB 08.0063U



Ex:
PTB 09ATEX1003U / IECEx PTB 08.0063U



Ex:

Technical data			
Width	Length	Height NS 35/7,5	
16.3	66	51	
I_{max} [A]	U_{max} [V]	max. Ø [mm ²]	AWG
41	1000	0.1 - 6	26 - 10
IEC 60947-7-1			
IEC	UL/CUL	CSA	IEC/EN 60079-7
1000	600	-	550
41 / 6	30 / -	-	41
6	-	-	6
26 - 10	-	-	26 - 10
0.5 - 6			
5 / 5.3 / 10			
1 - 6			
5 / 5.3 / 10			
1.00 mm ²			
2.50 mm ²			
6.00 mm ²			
- / -			
M5			
2.5 - 3			
PA			
V0			

Technical data			
Width	Length	Height NS 35/7,5	
20.3	84	63.8	
I_{max} [A]	U_{max} [V]	max. Ø [mm ²]	AWG
125	1000	2.5 - 35	14 - 2
IEC 60947-7-1			
IEC	UL/CUL	CSA	IEC/EN 60079-7
1000	600	-	690
125 / 35	115 / -	-	125
35	-	-	35
14 - 2	-	-	14 - 2
2.5 - 35			
8 / 8.4 / 16			
2.5 - 6			
8 / 8.4 / 14			
2.50 mm ²			
6.00 mm ²			
- / -			
M8			
4.5 - 5			
PA			
V0			

Technical data			
Width	Length	Height NS 35/7,5	
16.3	91.4	51	
I_{max} [A]	U_{max} [V]	max. Ø [mm ²]	AWG
41	1000 ²⁾	0.1 - 6	26 - 10
IEC 60947-7-1			
IEC	UL/CUL	CSA	IEC/EN 60079-7
1000 ²⁾	600	-	-
41 / 6	30 / -	-	-
6	-	-	-
26 - 10	-	-	-
0.5 - 6			
5 / 5.3 / 10			
1 - 6			
5 / 5.3 / 10			
1.00 mm ²			
2.50 mm ²			
6.00 mm ²			
M4 / 1.5 - 1.8			
M5			
2.5 - 3			
PA			
V0			

Ordering data			
Type	I_{max}	Order No.	Pcs. / Pkt.
RT 5		3049026	50
RT 5 BU		3049123	50

Ordering data			
Type	I_{max}	Order No.	Pcs. / Pkt.
RT 8		3049042	25
RT 8 BU		3049148	25
RT 5-T		3049039	25

Ordering data			
Type	I_{max}	Order No.	Pcs. / Pkt.
RT 5-T		3049039	25

Accessories ¹⁾			
D-RT 3/5		3049097	50
FBS 2-8	41 A	3030284	10
FBS 3-8	41 A	3030297	10
FBS 5-8	41 A	3030310	10
FBS 10-8	41 A	3030323	10
PAI-4-N GY		3032871	10
MPS-MT		0201744	10
MPS-IH RD		0201676	10
PS-8		3031005	10
BE-RT 3/5		3049819	100
SZS 1,0X6,5 VDE		1205079	10

Accessories ¹⁾			
D-RT 8		3049194	50
FBS 2-10	57 A	3005947	10
BE-RT 8		3049916	50
SZS 1,0X6,5 VDE		1205079	10

Accessories ¹⁾			
D-RT 5-T		3049291	50
FBS 2-8	41 A	3030284	10
FBS 3-8	41 A	3030297	10
FBS 5-8	41 A	3030310	10
FBS 10-8	41 A	3030323	10
S-RT 5-T		3049330	50
PAI-4-N GY		3032871	10
MPS-MT		0201744	10
MPS-IH RD		0201676	10
PS-8		3031005	10
BE-RT 3/5		3049819	100
SZS 1,0X6,5 VDE		1205079	10

UC-TM 12, UCT-TM 12 or ZB 12
(see Catalog 5)
UC-TM 16, UCT-TM 16 or ZB 16,3
(see Catalog 5)

UC-TM 16, UCT-TM 16 or ZB 16,3
(see Catalog 5)
ZB 20 (see online catalog)

UC-TM 12, UCT-TM 12 or ZB 12
(see Catalog 5)
UC-TM 16, UCT-TM 16 or ZB 16,3
(see Catalog 5)

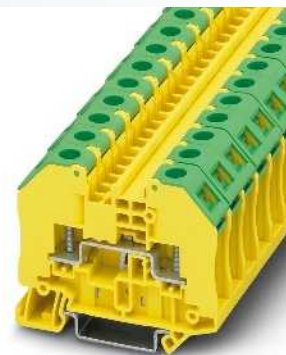
RT bolt connection terminal blocks

RT ...-PE ground terminal blocks



- RT bolt connection terminal blocks are characterized by user-friendly handling and a robust design
- Same shape and pitch as the feed-through terminal blocks
- Contact is made free from mechanical and electrical errors by simply snapping onto the DIN rail
- All the requirements of standard IEC 60947-7-2 are met
- These are in particular:
 - Low contact resistance
 - Corrosion-proof terminal points
 - Green-yellow housing
 - Additional options for marking

Notes:
For current carrying capacity of DIN rails, see page 716.
When using multi-position PS-... test plugs that are mounted side by side, one DP PS-... spacer plate with the same pitch must be used alternately to achieve the terminal block width, see page 478.
1) For installation notes on the use of accessories for Ex e applications, see page 710.



2.5 (2.5) mm², ground terminal block

UL US ABS CB

Ex: Ex

PTB 09ATEX1003U / IECEx PTB 08.0063U

Technical data

Dimensions	[mm]
Width	12.3
Length	66
Height NS 35/7,5	51

Max. electrical data	
max. Ø [mm ²]	0.1 - 2.5
AWG	26 - 14

Rated data	
Rated voltage [V]	-
Nominal current / cross section [A] / [mm ²]	- / -
Rated cross section [mm ²]	2.5
Cross section range AWG	26 - 14

Connection capacity, bolt connection	
Connection capacity, DIN 46234	
Cable lugs, DIN 46234 [mm ²]	0.5 - 2.5
Connection bolt / hole diameter / width [mm]	3 / 3.2 / 6

Connection capacity, DIN 46237	
Cable lugs, DIN 46237 [mm ²]	1 - 2.5
Connection bolt / hole diameter / width [mm]	3 / 3.2 / 6
Color code	red blue yellow

General data	
Bolt thread	M3
Tightening torque [Nm]	0.6 - 0.8
Insulating material	PA
Inflammability class according to UL 94	V0

Description	No. of pos.	Color
Ground terminal block, for mounting on NS 35...		green-yellow

Description	No. of pos.	Color
Cover, width 2.2 mm		gray
Plug-in bridge	2	red
	3	red
	4	red
	5	red
	10	red
	20	red

Description	No. of pos.	Color
Test adapter, 4-mm test socket hole		gray
Test plug metal part, 2.3 mm Ø		
Insulating sleeve, for MPS metal part		red
Modular test plug, for the individual assembly of test plug strips		red
Path extension, to be used for uninsulated cable lugs		gray

Description	No. of pos.	Color
Screwdriver		

Description	No. of pos.	Color
Labeling of wing flap		
Center groove labeling		

Width	Length	Height NS 35/7,5
12.3	66	51
		max. Ø [mm ²]
		0.1 - 2.5
		AWG
		26 - 14

IEC 60947-7-2	UL/CUL	CSA	IEC/EN 60079-7
IEC	UL/CUL	CSA	IEC/EN 60079-7

Rated voltage [V]	Nominal current / cross section [A] / [mm ²]	Rated cross section [mm ²]	Cross section range AWG
-	- / -	2.5	26 - 14

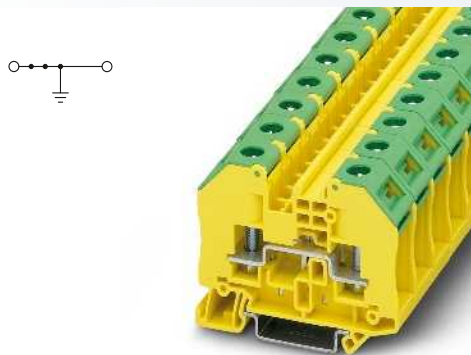
Connection capacity, bolt connection	Connection capacity, DIN 46234
Cable lugs, DIN 46234 [mm ²]	0.5 - 2.5
Connection bolt / hole diameter / width [mm]	3 / 3.2 / 6

Connection capacity, DIN 46237	General data
Cable lugs, DIN 46237 [mm ²]	Bolt thread
Connection bolt / hole diameter / width [mm]	M3
Color code	Tightening torque [Nm]
red	0.6 - 0.8
blue	Insulating material
yellow	PA
	Inflammability class according to UL 94
	V0

Ordering data		
Type	Order No.	Pcs. / Pkt.
RT 3-PE	3049411	50

Accessories ¹⁾		
Description	Order No.	Pcs. / Pkt.
D-RT 3/5	3049097	50
FBS 2-6	3030336	50
FBS 3-6	3030242	50
FBS 4-6	3030255	50
FBS 5-6	3030349	50
FBS 10-6	3030271	10
FBS 20-6	3030365	10
PAI-4-N GY	3032871	10
MPS-MT	0201744	10
MPS-IH RD	0201676	10
PS-6	3030996	10
BE-RT 3/5	3049819	100
SZS 1,0X6,5 VDE	1205079	10

Description	No. of pos.	Color
UC-TM 8, UCT-TM 8 or ZB 8 (see Catalog 5)		
UC-TM 12, UCT-TM 12 or ZB 12 (see Catalog 5)		


 6 (6) mm², ground terminal block

cUL US ABS CB

Ex: IEC PTB 09ATEX1003U / IECEx PTB 08.0063U

Technical data

Width	Length	Height NS 35/7,5	
16.3	66	51	
		max. Ø [mm ²]	AWG
		0.1 - 6	26 - 10
IEC 60947-7-2			⊕
IEC	UL/CUL	CSA	IEC/ EN 60079-7
-	-	-	-
6	- / -	-	6
26 - 10	-	-	26 - 10

 0.5 - 6
5 / 5.3 / 10

 1 - 6
5 / 5.3 / 10
1.00 mm²
2.50 mm²
6.00 mm²

 M5
2.5 - 3
PA
V0

Ordering data

Type	Order No.	Pcs. / Pkt.
RT 5-PE	3049424	50

Accessories¹⁾

D-RT 3/5	3049097	50
FBS 2-8	3030284	10
FBS 3-8	3030297	10
FBS 4-8	3030307	10
FBS 5-8	3030310	10
FBS 10-8	3030323	10
PAI-4-N GY	3032871	10
MPS-MT	0201744	10
MPS-IH RD	0201676	10
PS-8	3031005	10
BE-RT 3/5	3049819	100
SZS 1,0X6,5 VDE	1205079	10

 UC-TM 12, UCT-TM 12 or ZB 12
(see Catalog 5)
UC-TM 16, UCT-TM 16 or ZB 16,3
(see Catalog 5)

Modular terminal blocks - CLIPLINE complete

RT bolt connection terminal blocks

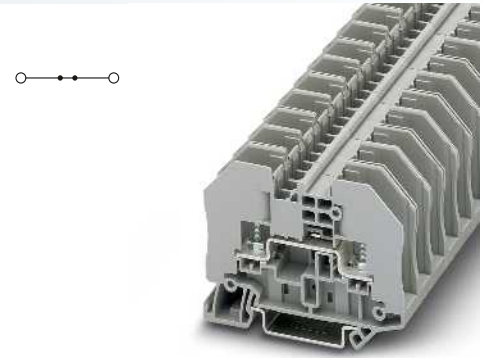
Feed-through and test disconnect terminal blocks, open, with hexagonal nuts, RTO ...

The open bolt connection terminal blocks for cable lugs up to 35 mm² in accordance with DIN 46234 and DIN 46237 are distinguished by their many advantages in technical applications:

- Four bridge shafts per terminal block
- Simple bridging and potential distribution using the patented plug-in bridges of the CLIPLINE complete system
- Testing with the standardized test adapters and test plugs of the CLIPLINE complete system
- Terminal point always freely accessible
- A normal hexagon Allen wrench can be used for the clamping nuts. Phoenix Contact offers corresponding tools to make wiring easy
- The screws are secured against loosening by captive spring-loaded spacers
- For the RTO 5-T disconnect terminal block, the specific switching state is clearly indicated by the orange disconnect slide screw
- The use of the switching lock effectively prevents unintentional switching

The RTO ...-TC versions have a transparent shock protection hood, see figure below

Notes:
For additional information on the SF-ASD 21 cordless screwdriver, see Catalog 5.
When using multi-position PS-... test plugs that are mounted side by side, one DP PS-... spacer plate with the same pitch must be used alternately to achieve the terminal block width, see page 478.
For CARRIER 35-8 separating disk, with storage option for plug-in bridges, see page 159.
For further plug-in bridges, see page 472.
1) For installation notes on the use of accessories for Ex e applications, see page 710.
2) Rated voltage for 690 V open disconnect point.



2.5 (2.5) mm², 24 A, feed-through terminal block

UL 94 V-0, Ex, ABS CB

PTB 09ATEX1003U / IECEx PTB 08.0063U

Dimensions		[mm]	
Max. electrical data			
Rated data			
Rated voltage	[V]	1000	600
Nominal current / cross section	[A] / [mm ²]	24 / 2.5	30 / -
Rated cross section	[mm ²]	2.5	-
Cross section range	AWG	26 - 14	-
Connection capacity, bolt connection			
Connection capacity, DIN 46234			
Cable lugs, DIN 46234	[mm ²]	0.5 - 2.5	
Connection bolt / hole diameter / width	[mm]	3 / 3.2 / 6	
Connection capacity, DIN 46237			
Cable lugs, DIN 46237	[mm ²]	1 - 2.5	
Connection bolt / hole diameter / width	[mm]	3 / 3.2 / 6	
Color code		red	1.00 mm ²
		blue	2.50 mm ²
		yellow	
General data			
Disconnect slide: thread / torque	- / [Nm]	- / -	
Bolt thread		M3	
Tightening torque	[Nm]	0.6 - 0.8	
Insulating material		PA	
Inflammability class according to UL 94		V0	

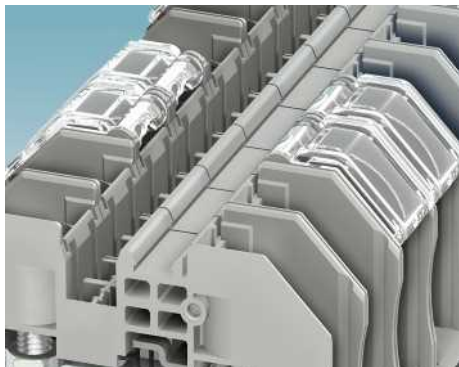
Technical data			
Width	Length	Height NS 35/7,5	
12.3	66	49.9	
I _{max} [A]	U _{max} [V]	max. Ø [mm ²]	AWG
24	1000	0.1 - 2.5	26 - 14
IEC 60947-7-1			
IEC	UL/CUL	CSA	IEC/EN 60079-7
			550
			24
			2.5
			26 - 14

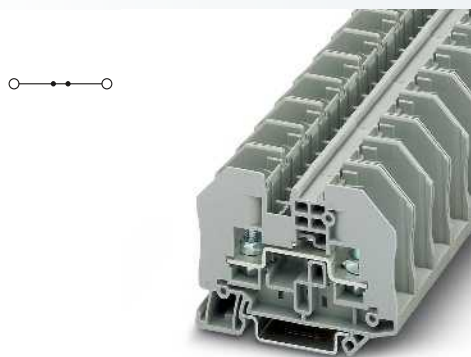
Description	No. of pos.	Color
Bolt connection terminal block , for mounting on NS 35...		gray
With transparent shock-protection hood		blue gray blue
Test disconnect terminal block , for mounting on NS 35		gray
With transparent shock-protection hood		gray

Cover , width 2.2 mm		gray
Plug-in bridge		
	2	red
	10	red
	20	red
Switching jumper , plug-in		
	2	gray/orange
	3	gray/orange
	4	gray/orange
Switching lock , prevents unintentional operation of the disconnect slide		white
Test adapter , 4-mm test socket hole		gray
Modular test plug , for the individual assembly of test plug strips		red
Path extension , to be used for uninsulated cable lugs		gray
Socket wrench , hexagon		
Center groove labeling		

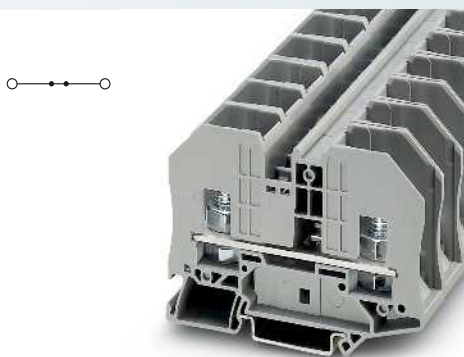
Ordering data			
Type	I _{max}	Order No.	Pcs. / Pkt.
RTO 3		3049518	50
RTO 3 BU		3049660	50
RTO 3-TC		3049945	50
RTO 3-TC BU		3049835	50

Accessories ¹⁾			
D-RT 3/5		3049097	50
FBS 2-6	32 A	3030336	50
FBS 10-6	32 A	3030271	10
FBS 20-6	32 A	3030365	10
PAI-4-N GY		3032871	10
PS-6		3030996	10
BE-RT 3/5		3049819	100
SHN 5.5		1209855	1
UC-TM 12, UCT-TM 12 or ZB 12 (see Catalog 5)			

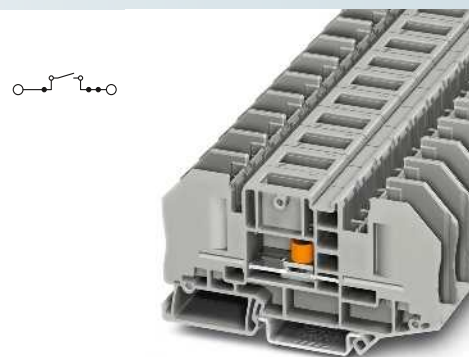




6 (6) mm², 41 A, feed-through terminal block



35 (35) mm², 125 A, feed-through terminal block



6 (6) mm², 41 A, test disconnect terminal block



Ex: PTB 09ATEX1003U / IECEx PTB 08.0063U

Technical data			
Width	Length	Height NS 35/7,5	
16.3	66	49.9	
I _{max} [A]	U _{max} [V]	max. Ø [mm ²]	AWG
41	1000	0.1 - 6	26 - 10
IEC 60947-7-1			
IEC	UL/CUL	CSA	IEC/EN 60079-7
1000	600	-	550
41 / 6	30 / -	-	41
6	-	-	6
26 - 10	-	-	26 - 10
0.5 - 6			
5 / 5.3 / 10			
1 - 6			
5 / 5.3 / 10			
1.00 mm ²			
2.50 mm ²			
6.00 mm ²			
- / -			
M5			
2.5 - 3			
PA			
V0			



Ex: PTB 09ATEX1003U / IECEx PTB 08.0063U

Technical data			
Width	Length	Height NS 35/7,5	
20.2	84	62.2	
I _{max} [A]	U _{max} [V]	max. Ø [mm ²]	AWG
125	1000	2.5 - 35	14 - 2
IEC 60947-7-1			
IEC	UL/CUL	CSA	IEC/EN 60079-7
1000	600	-	690
125 / 35	115 / -	-	125
35	-	-	35
14 - 2	-	-	14 - 2
2.5 - 35			
8 / 8.4 / 16			
2.5 - 6			
8 / 8.4 / 14			
2.50 mm ²			
6.00 mm ²			
- / -			
M8			
4.5 - 5			
PA			
V0			



PTB 09ATEX1003U / IECEx PTB 08.0063U

Technical data			
Width	Length	Height NS 35/7,5	
16.3	91.4	49.9	
I _{max} [A]	U _{max} [V]	max. Ø [mm ²]	AWG
41	1000 ²⁾	0.1 - 6	26 - 10
IEC 60947-7-1			
IEC	UL/CUL	CSA	IEC/EN 60079-7
1000 ²⁾	600	-	-
41 / 6	30 / -	-	-
6	-	-	-
26 - 10	-	-	-
0.5 - 6			
5 / 5.3 / 10			
1 - 6			
5 / 5.3 / 10			
1.00 mm ²			
2.50 mm ²			
6.00 mm ²			
M4 / 1.5 - 1.8			
M5			
2.5 - 3			
PA			
V0			

Ordering data			
Type	I _{max}	Order No.	Pcs. / Pkt.
RTO 5		3049521	50
RTO 5 BU		3049767	50
RTO 5-TC		3049961	50
RTO 5-TC BU		3049851	50

Ordering data			
Type	I _{max}	Order No.	Pcs. / Pkt.
RTO 8		3049343	25
RTO 8 BU		3049864	25
RTO 8-TC		3050002	25
RTO 8-TC BU		3049929	25
RTO 5-T		3049233	25
RTO 5-T-TC		3049990	25

Ordering data			
Type	I _{max}	Order No.	Pcs. / Pkt.
RTO 5-T		3049233	25
RTO 5-T-TC		3049990	25

Accessories ¹⁾			
D-RT 3/5		3049097	50
FBS 2-8	41 A	3030284	10
FBS 10-8	41 A	3030323	10
SB-MER 2-8		3000587	10
SB-MER 3-8		3000588	10
SB-MER 4-8		3000589	10
PAI-4-N GY		3032871	10
PS-8		3031005	10
BE-RT 3/5		3049819	100
SHN 8		1209868	1

Accessories ¹⁾			
D-RT 8		3049194	50
FBS 2-10	57 A	3005947	10
BE-RT 8		3049916	50
SHN 13		1209923	1

Accessories ¹⁾			
D-RT 5-T		3049291	50
FBS 2-8	41 A	3030284	10
FBS 10-8	41 A	3030323	10
SB-MER 2-8		3000587	10
SB-MER 3-8		3000588	10
SB-MER 3-8		3000588	10
S-RT 5-T		3049330	50
PAI-4-N GY		3032871	10
PS-8		3031005	10
BE-RT 3/5		3049819	100
SHN 8		1209868	1

UC-TM 16, UCT-TM 16 or ZB 16,3 (see Catalog 5)

ZB 20 (see online catalog)

UC-TM 16, UCT-TM 16 or ZB 16,3 (see Catalog 5)

Modular terminal blocks - CLIPLINE complete

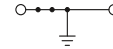
RT bolt connection terminal blocks

Ground terminal blocks, open, with hexagonal nuts, RTO ...-PE

- Same shape and pitch as the feed-through terminal blocks
- Contact is made free from mechanical and electrical errors by simply snapping onto the DIN rail
- All the requirements of standard IEC 60947-7-2 are met
These are in particular:
- Low contact resistance
- Corrosion-proof terminal points
- Green-yellow housing and
- Another labeling option

The RTO ...-PE-TC versions have a transparent shock protection hood, see figure below

Notes:
For current carrying capacity of DIN rails, see page 716.
For additional information on the SF-ASD 21 cordless screwdriver, see Catalog 5.
When using multi-position PS-... test plugs that are mounted side by side, one DP PS-... spacer plate with the same pitch must be used alternately to achieve the terminal block width, see page 478.
¹⁾ For installation notes on the use of accessories for Ex e applications, see page 710.



2.5 (2.5) mm², ground terminal block

UL US ABS CB

Ex: Ex

PTB 09ATEX1003U / IECEx PTB 08.0063U

Technical data

Dimensions	[mm]			
Width	12.3	66		
Length	66	49.9		
Height NS 35/7.5	49.9			
Max. electrical data	max. Ø [mm ²]			
	0.1 - 2.5			
	AWG			
	26 - 14			
IEC 60947-7-2	Ex			
Rated data	IEC	UL/CUL	CSA	IEC/EN 60079-7
Rated voltage [V]	-	-	-	-
Nominal current / cross section [A] / [mm ²]	-	-/-	-	-
Rated cross section [mm ²]	2.5	-	-	2.5
Cross section range	AWG	26 - 14	-	26 - 14
Connection capacity, bolt connection				
Connection capacity, DIN 46234				
Cable lugs, DIN 46234 [mm ²]	0.5 - 2.5			
Connection bolt / hole diameter / width [mm]	3 / 3.2 / 6			
Connection capacity, DIN 46237				
Cable lugs, DIN 46237 [mm ²]	1 - 2.5			
Connection bolt / hole diameter / width [mm]	3 / 3.2 / 6			
Color code	red 1.00 mm ² blue 2.50 mm ² yellow			
General data				
Bolt thread	M3			
Tightening torque [Nm]	0.6 - 0.8			
Insulating material	PA			
Inflammability class according to UL 94	V0			

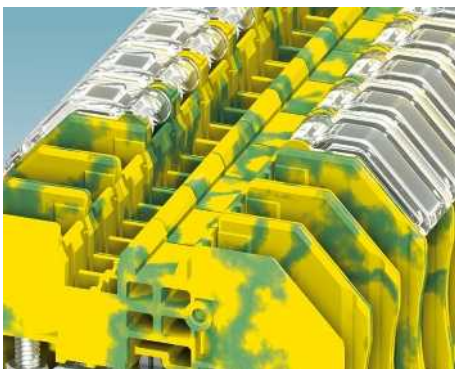
Description	No. of pos.	Color
Ground terminal block, for mounting on NS 35...		green-yellow
With transparent shock-protection hood		green-yellow

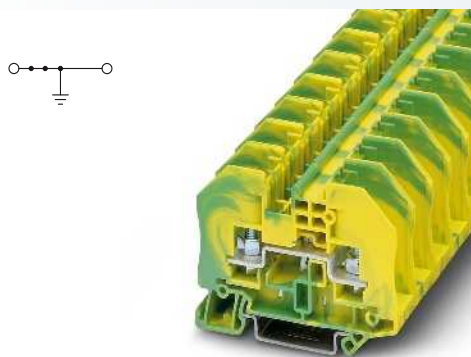
Ordering data

Type	Order No.	Pcs. / Pkt.
RTO 3-PE	3049615	50
RTO 3-PE-TC	3049958	50

Accessories¹⁾

Accessories	Order No.	Pcs. / Pkt.
Cover, width 2.2 mm		gray
Plug-in bridge		2 red 3 red 4 red 5 red 10 red 20 red
Test adapter, 4-mm test socket hole		gray
Test plug metal part, 2.3 mm Ø		red
Insulating sleeve, for MPS metal part		red
Modular test plug, for the individual assembly of test plug strips		red
Path extension, to be used for uninsulated cable lugs		gray
Socket wrench, hexagon		SHN 5.5
Center groove labeling		UC-TM 12, UCT-TM 12 or ZB 12 (see Catalog 5)
D-RT 3/5	3049097	50
FBS 2-6	3030336	50
FBS 3-6	3030242	50
FBS 4-6	3030255	50
FBS 5-6	3030349	50
FBS 10-6	3030271	10
FBS 20-6	3030365	10
PAI-4-N GY	3032871	10
MPS-MT	0201744	10
MPS-IH RD	0201676	10
PS-6	3030996	10
BE-RT 3/5	3049819	100
SHN 5.5	1209855	1



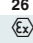


6 (6) mm², ground terminal block




Ex:  
 PTB 09ATEX1003U / IECEx PTB 08.0063U

Technical data

Width	Length	Height NS 35/7,5	
16.3	66	49.9	
		max. Ø [mm ²]	AWG
		0.1 - 6	26 - 10
IEC 60947-7-2			
IEC	UL/CUL	CSA	IEC/ EN 60079-7
-	-	-	-
6	- / -	-	6
26 - 10	-	-	26 - 10

0.5 - 6
5 / 5.3 / 10

1 - 6
5 / 5.3 / 10
1.00 mm²
2.50 mm²
6.00 mm²

M5
2.5 - 3
PA
V0

Ordering data

Type	Order No.	Pcs. / Pkt.
RTO 5-PE	3049628	50
RTO 5-PE-TC	3049974	50

Accessories¹⁾

D-RT 3/5	3049097	50
FBS 2-8	3030284	10
FBS 3-8	3030297	10
FBS 4-8	3030307	10
FBS 5-8	3030310	10
FBS 10-8	3030323	10
PAI-4-N GY	3032871	10
MPS-MT	0201744	10
MPS-IH RD	0201676	10
PS-8	3031005	10
BE-RT 3/5	3049819	100
SHN 8	1209868	1

UC-TM 16, UCT-TM 16 or ZB 16,3
(see Catalog 5)

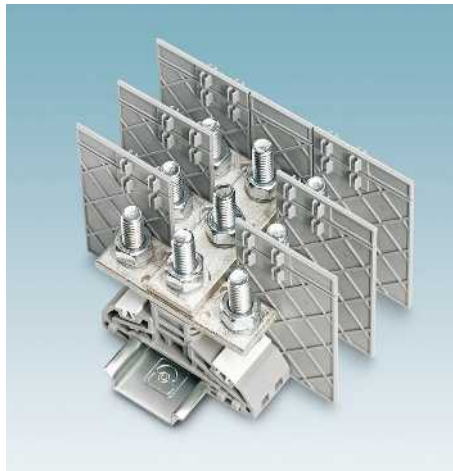
Modular terminal blocks - CLIPLINE complete

RT bolt connection terminal blocks

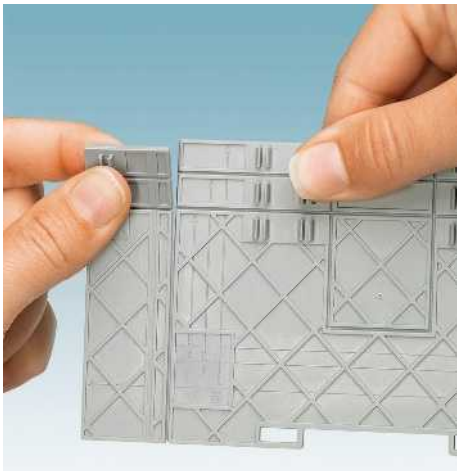
HV ... high-current connectors



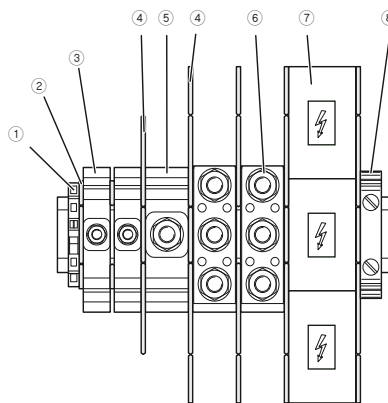
- Secure connection of up to 4 conductors with cable lugs according to DIN 46234, 46235, and 46237 in very tight spaces
- Spring washers are used to prevent hexagonal nuts from loosening
- Extensive range of accessories for safe and comfortable wiring of conductors up to 120 mm²



- Two and three-pos. connection rails are available for potential distribution
- The feed-through window provided in the partition plates can be easily removed for mounting the connection rails



- Two different partition plates can be used for the family of single and twin bolt terminal blocks
- Labeling the partition plates allows their height and length to be adapted at the respective bolt terminal blocks



- ① CLIPFIX 35-5 end bracket
- ② HV M12/1-TP partition plate
- ③ HV M5/1 or HV M6/1 high-current connectors
- ④ HV M12/2-TP partition plate
- ⑤ HV M8/1, HV M10/1 or HV M12/1 high-current connectors
- ⑥ HV M6/2, HV M8/2 or HV M10/2 high-current connectors
- ⑦ HV M10/1-AP cover
- ⑧ E/AL-NS 35 end bracket

Dimensions	
	[mm]
Max. electrical data	
Rated data	
Rated voltage	[V]
Nominal current / cross section	[A] / [mm ²]
Rated cross section	[mm ²]
Cross section range	AWG
Connection capacity, bolt connection	
Cable lugs, DIN 46234	[mm ²]
Cable lugs, DIN 46235	[mm ²]
Cable lugs, DIN 46237	[mm ²]
General data	
Bolt length	[mm]
Screw thread	
Tightening torque	[Nm]
Insulating material	
Inflammability class according to UL 94	

Description	No. of pos.	Color
High-current connectors, for mounting NS 35...		gray

Connection rail, for cross connection of high-current connectors		
	2	silver
	3	silver

Reducing bridge, for connecting HV M8/1 to HV M6/1		

Reducing bridge, for connecting HV M10/1 to HV M6/1		

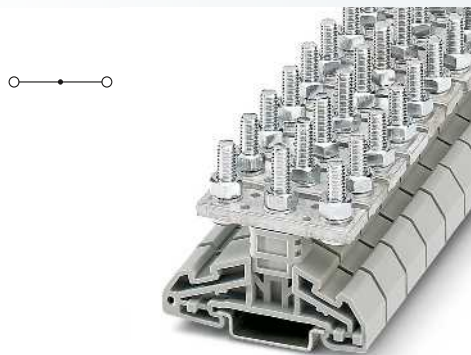
Separating plate	gray
Cover	gray
Adhesive warning plate, self-adhesive, black print: Lightning flash with mixed version: "Vorsicht Spannung – Attention Danger"	yellow

Adhesive warning plate, self-adhesive, black print: Lightning flash with mixed version: "Vorsicht Spannung – Attention Danger"	yellow
size of label: 13 x 23.5 mm	

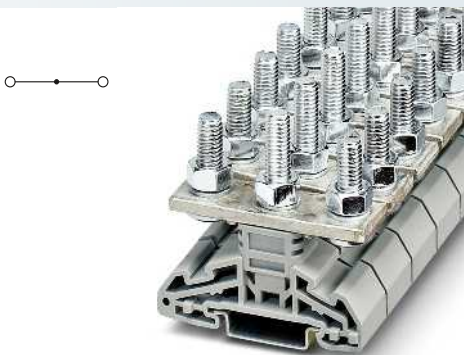
End bracket, for snapping onto NS 35, 5.15 mm wide, can be marked with ZB 5 and UCT-EM (30X5), parking option for bridges and test plugs	gray
--	------

Aluminum end bracket, for screwing on, for end support of 50 - 300 mm ² terminal blocks, can be labeled with ZB 10, for mounting on NS 35...	silver
---	--------

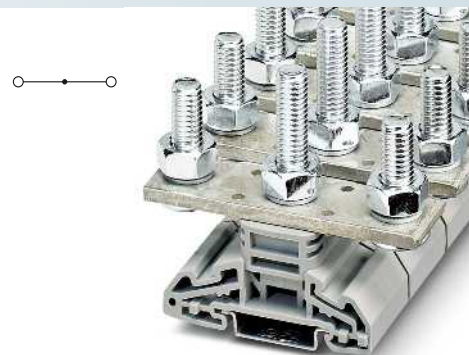
Lateral groove labeling	
-------------------------	--



35 (35) mm², 125 A, M6 bolt terminal block



50 (50) mm², 150 A, M8 bolt terminal block



120 (120) mm², 269 A, M10 bolt terminal block



Technical data			
Width	Length	Height NS 35/7,5	
16	67	58	
I_{max} [A]	U_{max} [V]	max. Ø [mm ²]	AWG
125	1000	2.5 - 35	14 - 2
IEC 60947-7-1			
IEC	UL/CUL	CSA	IEC/EN 60079-7
1000	-	1000	-
125 / 35	-	120 / -	-
35	-	-	-
14 - 2	-	4	-
2.5 - 35			
6 - 35			
2.5 - 6			
16			
M6			
3 - 6			
PA			
V0			

Technical data			
Width	Length	Height NS 35/7,5	
21	67	66	
I_{max} [A]	U_{max} [V]	max. Ø [mm ²]	AWG
150	1000	2.5 - 50	14 - 1/0
IEC 60947-7-1			
IEC	UL/CUL	CSA	IEC/EN 60079-7
1000	-	1000	-
150 / 50	-	130	-
50	-	-	-
14 - 1/0	-	3	-
2.5 - 50			
6 - 35			
- 10			
21			
M8			
6 - 12			
PA			
V0			

Technical data			
Width	Length	Height NS 35/7,5	
32	67	76	
I_{max} [A]	U_{max} [V]	max. Ø [mm ²]	AWG
269	1000	6 - 120	10 - 250 kcmil
IEC 60947-7-1			
IEC	UL/CUL	CSA	IEC/EN 60079-7
1000	-	1000	-
269 / 120	-	225 / -	-
120	-	-	-
10 - 250 kcmil	-	00	-
6 - 120			
10 - 95			
- 6			
26			
M10			
10 - 20			
PA			
V0			

Ordering data			
Type	I_{max}	Order No.	Pcs. / Pkt.
HV M6/2		3049547	25

Ordering data			
Type	I_{max}	Order No.	Pcs. / Pkt.
HV M8/2		3049550	25

Ordering data			
Type	I_{max}	Order No.	Pcs. / Pkt.
HV M10/2		3049563	10

Accessories			
HV M6/1-VS 2	125 A	3049262	10
HV M6/1-VS 3	125 A	3049275	10
HV M12/2-TP		3049709	25
HV M6/1-AP		3049903	25
WS-4K		1004584	10
CLIPFIX 35-5		3022276	50

Accessories			
HV M8/1-VS 2	150 A	3049369	10
HV M8/1-VS 3	150 A	3049372	10
HV M8/1 M6/1-STL		3071094	10
HV M12/2-TP		3049709	25
HV M8/1-AP		3049398	25
WS-4K		1004584	10
E/AL-NS 35		1201662	10

Accessories			
HV M10/1-VS 2	269 A	3049466	10
HV M10/1-VS 3	269 A	3049479	10
HV M10/1 M6/1-STL2		3071081	10
HV M12/2-TP		3049709	25
HV M10/1-AP		3049495	10
WS-4K		1004584	10
WS-2K		1004513	10
E/AL-NS 35		1201662	10

UC-TM 12, UCT-TM 12 or ZB 12 (see Catalog 5)

UC-TM 12, UCT-TM 12 or ZB 12 (see Catalog 5)

UC-TM 12, UCT-TM 12 or ZB 12 (see Catalog 5)

Modular terminal blocks - CLIPLINE complete

RT bolt connection terminal blocks

HV ... high-current connectors

- The bolt connection terminal blocks for cable lugs according to DIN 46234, DIN 46235, and DIN 46237 are available as part of the UHV ... high-current connector range
- For connecting up to four conductors
- Versions with connection bolts of between M5 and M12
- Extensive, supplementary accessories



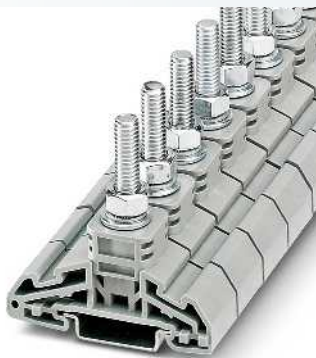
16 (16) mm², 76 A, M5 bolt terminal block



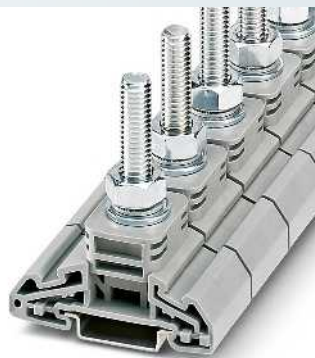
35 (35) mm², 125 A, M6 bolt terminal block



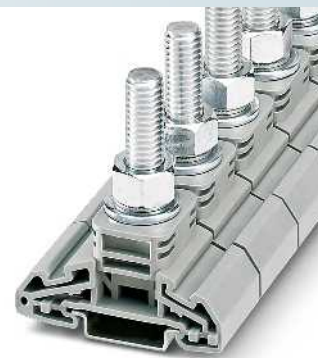
			Technical data				Technical data			
Dimensions			Width	Length	Height NS 35/7,5		Width	Length	Height NS 35/7,5	
Max. electrical data			I _{max} [A]	U _{max} [V]	max. Ø [mm ²]	AWG	I _{max} [A]	U _{max} [V]	max. Ø [mm ²]	AWG
Rated data			IEC 60947-7-1				IEC 60947-7-1			
Rated voltage [V]			1000	-	1000	-	1000	-	1000	-
Nominal current / cross section [A] / [mm ²]			76 / 16	-	60 / -	-	125 / 35	-	115 / -	-
Rated cross section [mm ²]			16	-	-	-	35	-	-	-
Cross section range AWG			24 - 6	-	8	-	14 - 2	-	4	-
Connection capacity, bolt connection										
Cable lugs, DIN 46234 [mm ²]			0.1 - 16				2.5 - 35			
Cable lugs, DIN 46235 [mm ²]			6 - 10				6 - 35			
Cable lugs, DIN 46237 [mm ²]			1 - 6				2.5 - 6			
General data										
Bolt length [mm]			22.5				22.5			
Screw thread			M5				M6			
Tightening torque [Nm]			2 - 4				3 - 6			
Insulating material			PA				PA			
Inflammability class according to UL 94			V0				V0			
			Ordering data				Ordering data			
Description	No. of pos.	Color	Type	I _{max}	Order No.	Pcs. / Pkt.	Type	I _{max}	Order No.	Pcs. / Pkt.
High-current connectors, for mounting NS 35...		gray	HV M5/1		3049107	25	HV M6/1		3049204	25
			Accessories				Accessories			
Connection rail, for cross connection of high-current connectors										
	2	silver	HV M5/1-VS 2	76 A	3049437	10	HV M6/1-VS 2	125 A	3049262	10
	3	silver	HV M5/1-VS 3	76 A	3049440	10	HV M6/1-VS 3	125 A	3049275	10
Reducing bridge, for connecting HV M8/1 to HV M6/1										
Reducing bridge, for connecting HV M10/1 to HV M6/1										
Separating plate			gray				gray			
Cover			gray				gray			
Adhesive warning plate, self-adhesive, black print: lightning flash with mixed version: "Vorsicht Spannung - Attention Danger" size of label: 13 x 23.5 mm			yellow				yellow			
Adhesive warning plate, self-adhesive, black print: Lightning flash with mixed version: "Vorsicht Spannung - Attention Danger" size of label: 32 x 26 mm			yellow				yellow			
End bracket, for snapping onto NS 35, 5.15 mm wide, can be marked with ZB 5 and UCT-EM (30X5), parking option for bridges and test plugs			gray				gray			
Aluminum end bracket, for screwing on, for end support of 50 - 300 mm ² terminal blocks, can be labeled with ZB 10, for mounting on NS 35...			silver				silver			
Lateral groove labeling			UC-TM 12, UCT-TM 12 or ZB 12 (see Catalog 5)				UC-TM 12, UCT-TM 12 or ZB 12 (see Catalog 5)			



50 (50) mm², 150 A, M8 bolt terminal block



120 (120) mm², 269 A, M10 bolt terminal block



120 (120) mm², 269 A, M12 bolt terminal block



Technical data			
Width	Length	Height NS 35/7,5	
21	67	66	
I_{max} [A]	U_{max} [V]	max. Ø [mm ²]	AWG
150	1000	2.5 - 50	14 - 1/0
IEC 60947-7-1			
IEC	UL/CUL	CSA	IEC/EN 60079-7
1000	-	1000	-
150 / 50	-	125 / -	-
50	-	-	-
14 - 1/0	-	3	-
2.5 - 50			
6 - 35			
6 - 10			
30.5			
M8			
6 - 12			
PA			
V0			

Technical data			
Width	Length	Height NS 35/7,5	
32	67	76	
I_{max} [A]	U_{max} [V]	max. Ø [mm ²]	AWG
269	1000	6 - 120	10 - 250 kcmil
IEC 60947-7-1			
IEC	UL/CUL	CSA	IEC/EN 60079-7
1000	-	1000	-
269 / 120	-	220 / -	-
120	-	-	-
10 - 250 kcmil	-	00	-
6 - 120			
10 - 95			
- 6			
40.5			
M10			
10 - 20			
PA			
V0			

Technical data			
Width	Length	Height NS 35/7,5	
32	67	76	
I_{max} [A]	U_{max} [V]	max. Ø [mm ²]	AWG
269	1000	6 - 120	10 - 250 kcmil
IEC 60947-7-1			
IEC	UL/CUL	CSA	IEC/EN 60079-7
1000	-	1000	-
269 / 120	-	220	-
120	-	-	-
10 - 250 kcmil	-	0	-
6 - 120			
10 - 95			
-			
40.5			
M12			
14 - 31			
PA			
V0			

Ordering data			
Type	I_{max}	Order No.	Pcs. / Pkt.
HV M8/1		3049301	25

Ordering data			
Type	I_{max}	Order No.	Pcs. / Pkt.
HV M10/1		3049408	10

Ordering data			
Type	I_{max}	Order No.	Pcs. / Pkt.
HV M12/1		3049505	10

Accessories			
Type	I_{max}	Order No.	Pcs. / Pkt.
HV M8/1-VS 2	150 A	3049369	10
HV M8/1-VS 3	150 A	3049372	10
HV M8/1 M6/1-STL		3071094	10
HV M12/2-TP		3049709	25
HV M8/1-AP		3049398	25
WS-4K		1004584	10
CLIPFIX 35-5		3022276	50

Accessories			
Type	I_{max}	Order No.	Pcs. / Pkt.
HV M10/1-VS 2	269 A	3049466	10
HV M10/1-VS 3	269 A	3049479	10
HV M10/1 M6/1-STL2		3071081	10
HV M12/2-TP		3049709	25
HV M10/1-AP		3049495	10
WS-4K		1004584	10
WS-2K		1004513	10
E/AL-NS 35		1201662	10

Accessories			
Type	I_{max}	Order No.	Pcs. / Pkt.
HV M12/1-VS 2	269 A	3049631	10
HV M12/1-VS 3	269 A	3049644	10
HV M12/2-TP		3049709	25
HV M10/1-AP		3049495	10
WS-4K		1004584	10
WS-2K		1004513	10
E/AL-NS 35		1201662	10

UC-TM 12, UCT-TM 12 or ZB 12
(see Catalog 5)

UC-TM 12, UCT-TM 12 or ZB 12
(see Catalog 5)

UC-TM 12, UCT-TM 12 or ZB 12
(see Catalog 5)

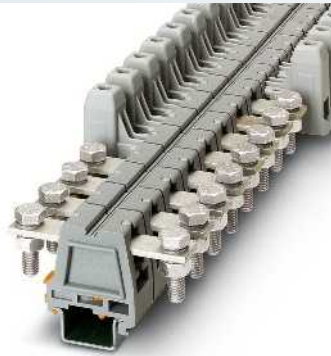
Modular terminal blocks - CLIPLINE complete

RT bolt connection terminal blocks

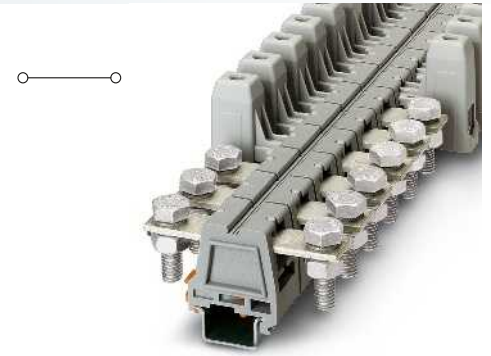
UHV ... high-current connectors

- The UHV ... high-current connectors are available in several versions
- Versions are available with a cable lug or direct connection and there is a mixed version of both connection types
- The comprehensive range of accessories ensures safe and user-friendly wiring of conductors up to 240 mm²

Notes:
In the case of UHV 240..., the BG/F flat bracket must be mounted.
1) See page 466.



25 (25) mm², 101 A, feed-through terminal block



50 (50) mm², 150 A, feed-through terminal block



Dimensions		[mm]
Max. electrical data		
Rated voltage	[V]	1000
Nominal current / cross section	[A] / [mm ²]	101 / 25
Rated cross section	[mm ²]	25
Cross section range	AWG	10 - 3
Terminal sleeve connection capacity		
1 conductor	[mm ²]	6 - 25
Two conductors (of the same type)	[mm ²]	2.5 - 10
Connection capacity, bolt connection		
Bolt diameter	[mm]	8 mm
Hole diameter / power rail	[mm]	8.4 / 15 mm x 3 mm
Cable lugs, DIN 46234	[mm ²]	2.5 - 25
Cable lugs, DIN 46235	[mm ²]	16 - 25
General data		
Stripping length	[mm]	21
Terminal sleeve: thread / torque	- / [Nm]	M5 / 4 - 4.5
Screw set AS: screw thread / torque	- / [Nm]	M8 / 15 - 20
Insulating material		PA-F
Inflammability class according to UL 94		HB

Technical data			
Width	Length	Height NS 35/15	
26	95	72	
I _{max} [A]	U _{max} [V]	max. Ø [mm ²]	AWG
101	1000	6 - 25	10 - 3
IEC 60947-7-1			
IEC	UL/CUL	CSA	IEC/EN 60079-7
1000	600	600	-
101 / 25	85 / -	100 / -	-
25	-	-	-
10 - 3	6-4	6-4	-
Terminal sleeve connection capacity			
solid		stranded	
		Ferrule	
		Without / with plastic sleeve	
1 conductor	[mm ²]	6 - 25	10 - 25
Two conductors (of the same type)	[mm ²]	2.5 - 10	4 - 10
		4 - 25	4 - 25
		2.5 - 10	-
Connection capacity, bolt connection			
Bolt diameter		8 mm	
Hole diameter / power rail		8.4 / 15 mm x 3 mm	
Cable lugs, DIN 46234		2.5 - 25	
Cable lugs, DIN 46235		16 - 25	
General data			
Stripping length		21	
Terminal sleeve: thread / torque		M5 / 4 - 4.5	
Screw set AS: screw thread / torque		M8 / 15 - 20	
Insulating material		PA-F	
Inflammability class according to UL 94		HB	

Technical data			
Width	Length	Height NS 35/15	
32	104	78	
I _{max} [A]	U _{max} [V]	max. Ø [mm ²]	AWG
150	1000	16 - 50	6 - 1/0
IEC 60947-7-1			
IEC	UL/CUL	CSA	IEC/EN 60079-7
1000	600	600	-
150 / 50	150 / -	125 / -	-
50	-	-	-
6 - 1/0	6-1/0	6-1/0	-
Terminal sleeve connection capacity			
solid		stranded	
		Ferrule	
		Without / with plastic sleeve	
1 conductor	[mm ²]	16 - 50	25 - 50
Two conductors (of the same type)	[mm ²]	10 - 16	10 - 16
		25 - 50	25 - 50
		10 - 16	-
Connection capacity, bolt connection			
Bolt diameter		10 mm	
Hole diameter / power rail		10.5 / 20 mm x 3 mm	
Cable lugs, DIN 46234		6 - 50	
Cable lugs, DIN 46235		16 - 50	
General data			
Stripping length		26	
Terminal sleeve: thread / torque		M6 / 6 - 8	
Screw set AS: screw thread / torque		M10 / 25 - 30	
Insulating material		PA-F	
Inflammability class according to UL 94		HB	

Description	No. of pos.	Color
High-current connector , with terminal sleeve KH on one side, and screw set AS on the other side		gray
High-current connector , screw set AS on both sides, for rail or cable lug connection		gray
High-current connector , with terminal sleeves KH on both sides, for direct cable connection		gray

Ordering data		
Type	Order No.	Pcs. / Pkt.
UHV 25-KH/AS	2130101	10
UHV 25-AS/AS	2130004	10
UHV 25-KH/KH	2130156	10

Ordering data		
Type	Order No.	Pcs. / Pkt.
UHV 50-KH/AS	2130114	10
UHV 50-AS/AS	2130017	10
UHV 50-KH/KH	2130169	10

Accessories		
Description	No. of pos.	Color
Covering hood , as retrofit snap-on shock protection for cable lug connection		gray
Connection rail , for cross connection	2	silver
	3	silver
Separating plate		gray
		gray
		silver
Insertion profile , levels out the prism-shaped sleeve when using flat-ribbon conductors ¹⁾		silver
End piece , to be fitted at both sides of the terminal strip, 7.2 mm wide		gray
Screwdriver		
Allen wrench , fully insulated, safety tool in accordance with EN 60900, length: 150 mm, handle width: 110 mm		

Accessories		
Type	Order No.	Pcs. / Pkt.
UHV 25-AH	2130431	10
UHV 25-VS 2	2130541	10
UHV 25-VS 3	2130554	10
UHV -TP1	2130402	10
UHV -E	2130428	10
SZS 1,0X6,5 VDE	1205079	10

Accessories		
Type	Order No.	Pcs. / Pkt.
UHV 50-AH	2130444	10
UHV 50-VS 2	5030897	10
UHV 50-VS 3	2130622	10
UHV -TP1	2130402	10
UKH 50 EP	3009228	10
UHV -E	2130428	10
SZS 1,2X8,0 VDE	1205082	10

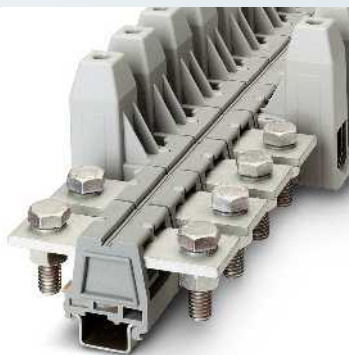
Center groove labeling

UC-TM 10 (see Catalog 5)

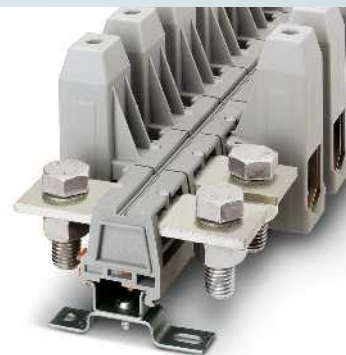
UC-TM 10 (see Catalog 5)



95 (95) mm², 232 A, feed-through terminal block



150 (150) mm², 309 A, feed-through terminal block



240 (240) mm², 415 A, feed-through terminal block



Technical data			
Width	Length	Height NS 35/15	
40	114	86	
I_{max} [A]	U_{max} [V]	max. Ø [mm ²]	AWG
232	1000	25 - 95	3 - 3/0
IEC 60947-7-1			
IEC	UL/CUL	CSA	IEC/EN 60079-7
1000	600	600	-
232 / 95	230 / -	200 / -	-
95	-	-	-
3 - 3/0	2-4/0	2-4/0	-
solid	stranded	Ferrule Without / with plastic sleeve	
25 - 95	35 - 95	35 - 95	35 - 95
25 - 35	25 - 35	16 - 35	-
12 mm			
13 / 30 mm x 5 mm			
10 - 95			
25 - 95			
29			
M8 / 15 - 20			
M12 / 25 - 30			
PA-F			
HB			

Technical data			
Width	Length	Height NS 35/15	
46	119	100	
I_{max} [A]	U_{max} [V]	max. Ø [mm ²]	AWG
309	1000	35 - 150	2 - 300 kcmil
IEC 60947-7-1			
IEC	UL/CUL	CSA	IEC/EN 60079-7
1000	600	600	-
309 / 150	285 / -	275 / -	-
150	-	-	-
2 - 300 kcmil	2-300	2-300	-
solid	stranded	Ferrule Without / with plastic sleeve	
35 - 150	50 - 150	50 - 150	50 - 150
25 - 50	35 - 50	25 - 50	-
12 mm			
13 / 35 mm x 5 mm			
10 - 150			
25 - 150			
34			
M10 / 25 - 30			
M12 / 25 - 30			
PA-F			
HB			

Technical data			
Width	Length	Height NS 35/15	
53	126.5	105.5	
I_{max} [A]	U_{max} [V]	max. Ø [mm ²]	AWG
415	1000	70 - 240	2/0 - 500 kcmil
IEC 60947-7-1			
IEC	UL/CUL	CSA	IEC/EN 60079-7
1000	600	600	-
415 / 240	380 / -	400 / -	-
240	-	-	-
2/0 - 500 kcmil	2/0-500	1/0-500	-
solid	stranded	Ferrule Without / with plastic sleeve	
70 - 240	70 - 240	70 - 180	70 - 185
35 - 95	50 - 95	35 - 50	-
16 mm			
17 / 40 mm x 5 mm			
25 - 240			
50 - 185			
34			
M10 / 25 - 30			
M16 / 30 - 35			
PA-F			
HB			

Ordering data		
Type	Order No.	Pcs. / Pkt.
UHV 95-KH/AS	2130127	10
UHV 95-AS/AS	2130020	10
UHV 95-KH/KH	2130172	10

Ordering data		
Type	Order No.	Pcs. / Pkt.
UHV150-KH/AS	2130130	10
UHV150-AS/AS	2130033	10
UHV150-KH/KH	2130185	10

Ordering data		
Type	Order No.	Pcs. / Pkt.
UHV240-KH/AS	2130143	5
UHV240-AS/AS	2130046	5
UHV240-KH/KH	2130198	5

Accessories		
UHV 95-AH	2130457	10
UHV 95-VS 2	2130635	10
UHV 95-VS 3	2130648	10
UHV -TP2	2130415	10
UKH 95 EP	3009231	10
UHV -E	2130428	10
VDE-ISS 8	1201947	1

Accessories		
UHV150-AH	2130460	10
UHV150-VS 2	2130651	10
UHV150-VS 3	2130664	10
UHV -TP2	2130415	10
UKH 150/240 EP	3009244	10
UHV -E	2130428	10
VDE-ISS 8	1201947	1

Accessories		
UHV240-AH	2130473	10
UHV240-VS 2	2130677	10
UHV240-VS 3	2130680	10
UHV -TP2	2130415	10
UKH 150/240 EP	3009244	10
UHV -E	2130428	10
VDE-ISS 8	1201947	1

UC-TM 10 (see Catalog 5)

UC-TM 10 (see Catalog 5)

UC-TM 10 (see Catalog 5)

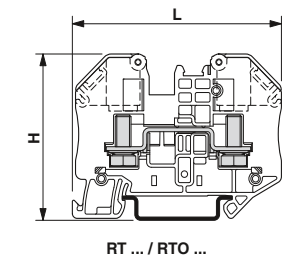
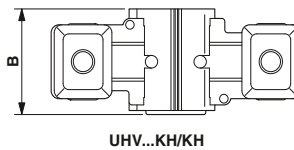
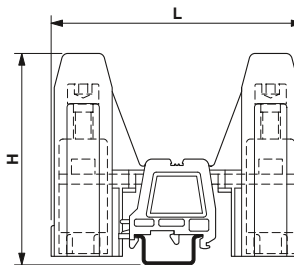
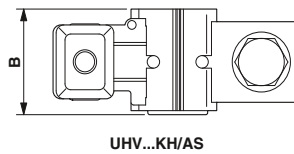
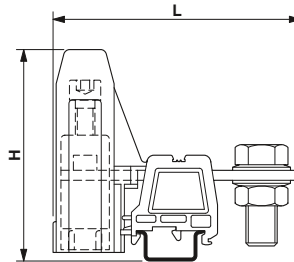
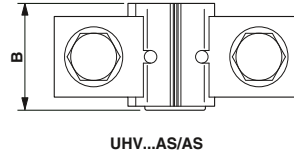
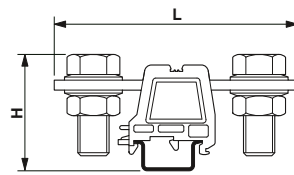
Modular terminal blocks - CLIPLINE complete

RT bolt connection terminal blocks

Bolt connection terminal blocks are available either in a single-bolt or double-bolt design or with a screw/bolt mixed connection. The latter are fitted as high-current connectors with a terminal sleeve connection on one side and with a screw set for the connection of cable lugs on the other. The dimensions of the various types are shown in the following drawings and tables.

Secure cable lug connection

Cable lugs are securely connected in UHV..., HV..., and RT... high-current terminal blocks using the screw set. Spring washers are used for screw locking. Cable lugs according to DIN 46234, DIN 46235, and DIN 46237 can be connected. A two-conductor connection is also possible where one conductor must be connected under the current bar using a cable lug and the other must be connected to the current bar. See diagram below right.



High-current connector with bolt connection Universal high-current connector Dimensions in [mm] / [inch]			
Type	H	L	W
UHV 25-AS/AS	53 / 2.087	88 / 3.456	26 / 1.024
UHV 25-KH/AS	72 / 2.835	95 / 3.74	26 / 1.024
UHV 25-KH/KH	72 / 2.835	102.5 / 4.035	26 / 1.024
UHV 50-AS/AS	54.5 / 2.146	95 / 3.74	32 / 1.26
UHV 50-KH/AS	78 / 3.071	104 / 4.094	32 / 1.26
UHV 50-KH/KH	78 / 3.071	113.5 / 4.469	32 / 1.26
UHV 95-AS/AS	56 / 2.205	110 / 4.331	40 / 1.575
UHV 95-KH/AS	86 / 3.386	114 / 4.488	40 / 1.575
UHV 95-KH/KH	86 / 3.386	118.5 / 4.665	40 / 1.575
UHV 150-AS/AS	56 / 2.205	110 / 4.331	46 / 1.811
UHV 150-KH/AS	100 / 3.937	119 / 4.685	46 / 1.811
UHV 150-KH/KH	100 / 3.937	128.5 / 5.059	46 / 1.811
UHV 240-AS/AS	58 / 2.283	125 / 4.921	53 / 2.087
UHV 240-KH/AS	105.5 / 4.154	126.5 / 4.980	53 / 2.087
UHV 240-KH/KH	105.5 / 4.154	128.5 / 5.059	53 / 2.087

CLIPLINE complete bolt connection Ring-lug terminal - RT Dimensions in [mm] / [inch]			
Type	H	L	W
RT 3	51 / 2.007	65 / 2.559	12.2 / 0.480
RT 5	51 / 2.007	65 / 2.559	16.2 / 0.637
RT 5-T	51 / 2.007	90.4 / 3.559	16.2 / 0.637
RT 8	63.8 / 2.511	84 / 3.307	20.2 / 0.795

CLIPLINE complete bolt connection Ring-lug terminal open style - RTO Dimensions in [mm] / [inch]			
Type	H	L	W
RTO 3	49.9 / 1.965	65 / 2.559	12.2 / 0.480
RTO 5	49.9 / 1.965	65 / 2.559	16.2 / 0.637
RTO 5-T	49.9 / 1.965	90.4 / 3.559	16.2 / 0.637
RTO 8	62.2 / 2.449	84 / 3.307	20.2 / 0.795

Secure flat conductor connection

Flat conductors can be reliably and securely connected in UKH and UHV high-current terminal blocks using the insertion profile (UKH... EP). This levels out the prism-shaped terminal sleeve base, thereby ensuring that the flat conductor is contacted on a large area.

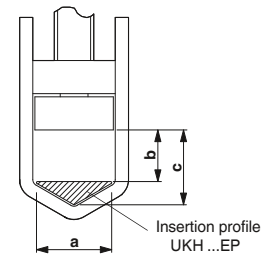
Suitability of flat conductors for clamping

Conductor		type	
Structure [mm]	Current [A]	UHV 50-KH/AS UHV 50-KH/KH	UHV 95-KH/AS UHV 95-KH/KH
3 x 9 x 0.8	100	X	X
6 x 9 x 0.8	160	X ¹⁾	X
4 x 16 x 0.8	200	-	X
6 x 16 x 0.8	250	-	X ¹⁾
10 x 16 x 0.8	400	-	X ¹⁾
11 x 21 x 0.8	630	-	-

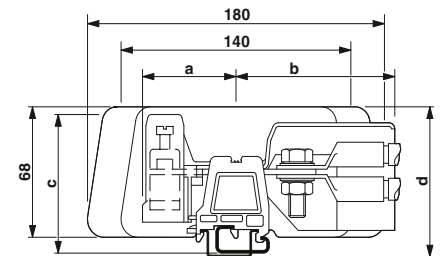
Conductor		type	
Structure [mm]	Current [A]	UHV 150-KH/AS UHV 150-KH/KH	UHV 240-KH/AS UHV 240-KH/KH
3 x 9 x 0.8	100	-	-
6 x 9 x 0.8	160	X	-
4 x 16 x 0.8	200	X	X
6 x 16 x 0.8	250	X	X
10 x 16 x 0.8	400	X ¹⁾	X
11 x 21 x 0.8	630	-	X ¹⁾

¹⁾ Observe nominal current of terminal blocks.

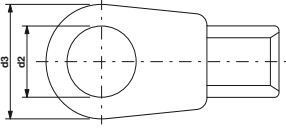
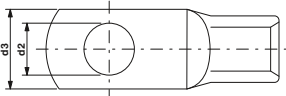
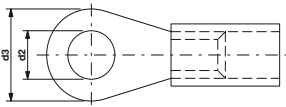
Internal dimensions of terminal sleeves



Type	Internal dimensions in [mm] / [inch]		
	a	b	c
UKH 25 / UHV 25-KH/...	9 / 0.354	-/-	8.5 / 0.335
UKH 50 / UHV 50-KH/...	11 / 0.433	7.5 / 0.295	12 / 4.472
UKH 95 / UHV 95-KH/...	15 / 0.591	11 / 0.433	15 / 0.591
UKH 150 / UHV 150-KH/...	19.5 / 0.768	11 / 0.433	18 / 0.709
UKH 240 / UHV 240-KH/...	24 / 0.945	19 / 0.748	26 / 1.024



Dimensions for covering hoods and partition plates [mm] / [inch]				
Type	a	b	c	d
UHV 25	51 / 2.008	82 / 3.228	70 / 2.756	63 / 2.48
UHV 50	57 / 2.244	97 / 3.819	76 / 2.992	68 / 2.677
UHV 95	59 / 2.323	112 / 4.409	84 / 3.307	75 / 2.953
UHV 150	64 / 2.52	125 / 4.921	98 / 3.858	81 / 3.189
UHV 240	64 / 2.52	143 / 5.63	103 / 4.055	87 / 3.425

Cable lugs			DIN 46234				DIN 46235				DIN 46237			
			Conductor cross section		Hole $\varnothing d_2$ [mm]/[inch]		Width d_3 [mm]/[inch]		Hole $\varnothing d_2$ [mm]/[inch]		Width d_3 [mm]/[inch]		Hole $\varnothing d_2$ [mm]/[inch]	
M3	0.5	20	3.2	0.126	5	0.197	-/-	-/-	-/-	-/-	-/-	-/-	-/-	-/-
	1	17	3.2	0.126	6	0.236	-/-	-/-	3.2	0.126	6	0.236	-/-	-/-
	2.5	14	3.2	0.126	6	0.236	-/-	-/-	3.2	0.126	6	0.236	-/-	-/-
M5	0.5	20	5.3	0.208	8	0.315	-/-	-/-	-/-	-/-	-/-	-/-	-/-	-/-
	1	17	5.3	0.208	10	0.394	-/-	-/-	5.3	0.208	10	0.394	-/-	-/-
	2.5	14	5.3	0.208	10	0.394	-/-	-/-	5.3	0.208	10	0.394	-/-	-/-
	6	10	5.3	0.208	10	0.394	5.3	0.208	8.5	0.335	5.3	0.208	10	0.394
	10	8	5.3	0.208	11	0.433	5.3	0.208	9	0.354	-/-	-/-	-/-	-/-
	16	6	5.3	0.208	11	0.433	-/-	-/-	-/-	-/-	-/-	-/-	-/-	-/-
M6	1.5	16	6.4	0.252	10	0.394	-/-	-/-	-/-	-/-	-/-	-/-	-/-	-/-
	2.5	14	6.4	0.252	11	0.433	-/-	-/-	6.5	0.256	11	0.433	-/-	-/-
	6	10	6.4	0.252	11	0.433	6.4	0.252	8.5	0.335	6.5	0.256	11	0.433
	10	8	6.4	0.252	11	0.433	6.4	0.252	9	0.354	-/-	-/-	-/-	-/-
	16	6	6.4	0.252	11	0.433	6.4	0.252	12	0.472	-/-	-/-	-/-	-/-
	25	3	6.4	0.252	12	0.472	6.4	0.252	14	0.551	-/-	-/-	-/-	-/-
	35	2	6.4	0.252	16	0.63	-/-	-/-	-/-	-/-	-/-	-/-	-/-	-/-
M8	2.5	14	8.4	0.331	14	0.551	-/-	-/-	8.4	0.331	14	0.551	-/-	-/-
	6	10	8.4	0.331	14	0.551	-/-	-/-	8.4	0.331	14	0.551	-/-	-/-
	10	8	8.4	0.331	14	0.551	-/-	-/-	-/-	-/-	-/-	-/-	-/-	-/-
	16	6	8.4	0.331	14	0.551	8.4	0.331	13	0.512	-/-	-/-	-/-	-/-
	25	3	8.4	0.331	16	0.63	8.4	0.331	16	0.63	-/-	-/-	-/-	-/-
	35	2	8.4	0.331	16	0.63	8.4	0.331	17	0.669	-/-	-/-	-/-	-/-
	50	0	8.4	0.331	18	0.709	8.4	0.331	20	0.787	-/-	-/-	-/-	-/-
	70	00	8.4	0.331	22	0.866	8.4	0.331	24	0.945	-/-	-/-	-/-	-/-
	95	000	8.4	0.331	24	0.945	-/-	-/-	-/-	-/-	-/-	-/-	-/-	-/-
M10	6	10	10.5	0.413	18	0.709	-/-	-/-	10.5	0.413	18	0.709	-/-	-/-
	10	8	10.5	0.413	18	0.709	-/-	-/-	-/-	-/-	-/-	-/-	-/-	-/-
	16	6	10.5	0.413	18	0.709	10.5	0.413	17	0.669	Cable lug DIN 46234: 1980-03			
	25	3	10.5	0.413	18	0.709	10.5	0.413	17	0.669				
	35	2	10.5	0.413	18	0.709	10.5	0.413	19	0.748				
	50	20	10.5	0.413	18	0.709	10.5	0.413	22	0.866				
	70	00	10.5	0.413	22	0.866	10.5	0.413	24	0.945				
	95	000	10.5	0.413	24	0.945	10.5	0.413	28	1.102				
	120	250 kcmil	10.5	0.413	24	0.945	10.5	0.413	32	1.26				
	150	300 kcmil	10.5	0.413	30	1.181	10.5	0.413	34	1.339				
M12	10	8	13	0.512	22	0.866	-/-	-/-	-/-	-/-	-/-	-/-	-/-	-/-
	16	6	13	0.512	22	0.866	-/-	-/-	-/-	-/-	-/-	-/-	-/-	-/-
	25	3	13	0.512	22	0.866	13	0.512	19	0.748	Cable lug DIN 46235: 1980-07			
	35	2	13	0.512	22	0.866	13	0.512	21	0.827				
	50	0	13	0.512	22	0.866	13	0.512	24	0.945				
	70	00	13	0.512	22	0.866	13	0.512	24	0.945				
	95	000	13	0.512	24	0.945	13	0.512	28	1.102				
	120	250 kcmil	13	0.512	24	0.945	13	0.512	32	1.26				
	150	300 kcmil	13	0.512	30	1.181	13	0.512	34	1.339				
M16	25	3	17	0.669	28	1.102	-/-	-/-	-/-	-/-	-/-	-/-	-/-	-/-
	35	2	17	0.669	28	1.102	-/-	-/-	-/-	-/-	-/-	-/-	-/-	-/-
	50	0	17	0.669	28	1.102	17	0.669	28	1.102	Cable lug DIN 46237			
	70	00	17	0.669	28	1.102	17	0.669	30	1.181				
	95	000	17	0.669	28	1.102	17	0.669	32	1.26				
	120	250 kcmil	17	0.669	28	1.102	17	0.669	32	1.26				
	150	300 kcmil	17	0.669	30	1.181	17	0.669	34	1.339				
	185	350 kcmil	17	0.669	36	1.417	17	0.669	37	1.457				
240	500 kcmil	17	0.669	38	1.496	17	0.669	42	1.654					